

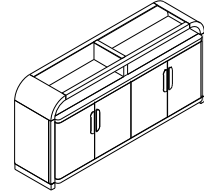


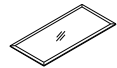
Step	Code	Hardware		Q'TY
1	A	Glass Bumper 8mm dia.		8 Pcs
2	B	Anti-Tip Kit		1 Pc

Tool Required: Phillips screwdriver
(not provided)

PARTS LIST

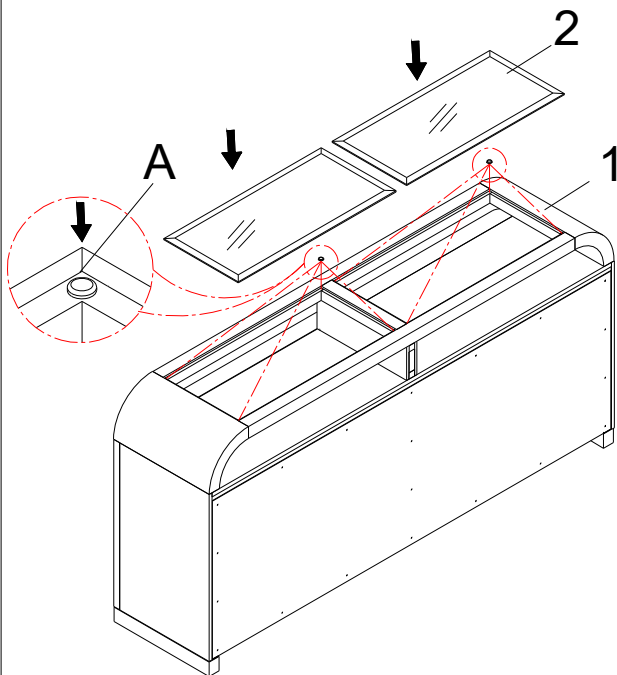


1. Sideboard - 1 Pc



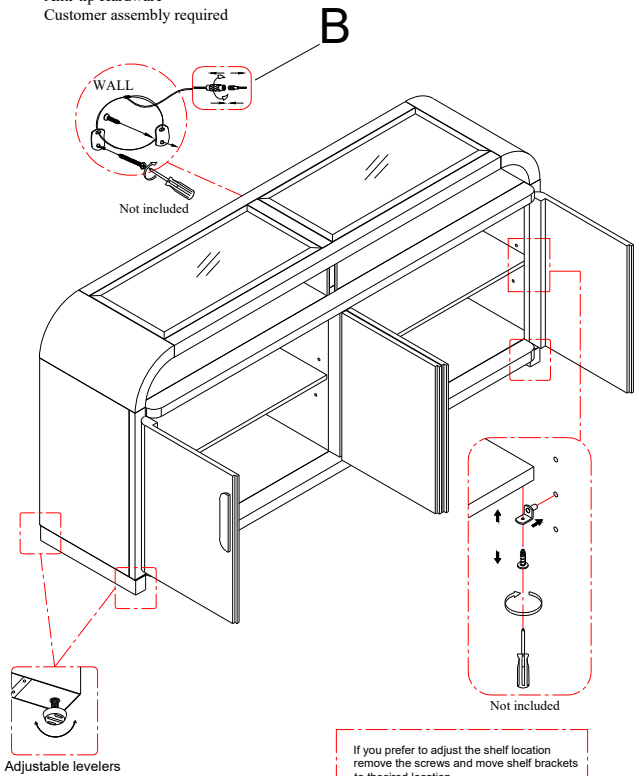
2. Glass Top - 2 Pcs

STEP 1:



STEP 2:

Anti-tip Hardware
Customer assembly required



If you prefer to adjust the shelf location
remove the screws and move shelf brackets
to the desired location
Then ensure the brackets to shelf with
screws.