
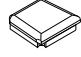












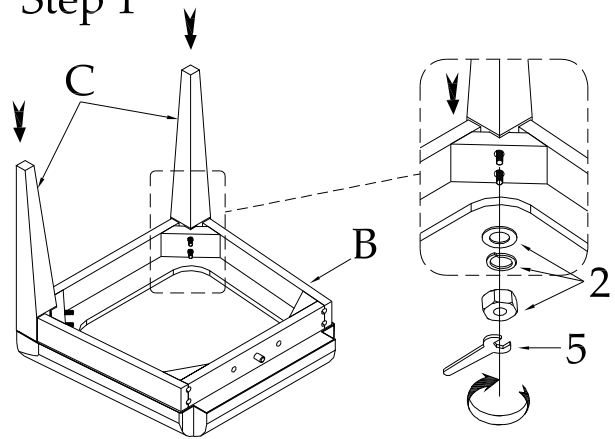
THANK YOU FOR PURCHASING THIS QUALITY PRODUCT. BE SURE TO CHECK ALL PACKING MATERIALS CAREFULLY FOR SMALL HARDWARE WHICH MAY HAVE COME LOOSE INSIDE THE CARTON DURING SHIPMENT. IDENTIFY AND COUNT ALL HARDWARE AND COMPARE WITH THE HARDWARE LIST BELOW.

PARTS LIST :			
No.	Description	Sketch	Q' TY
A	Chair Back		1
B	Seat		1
C	Front Legs (Left & Right)		2
D	Side Strecher (Left & Right)		2

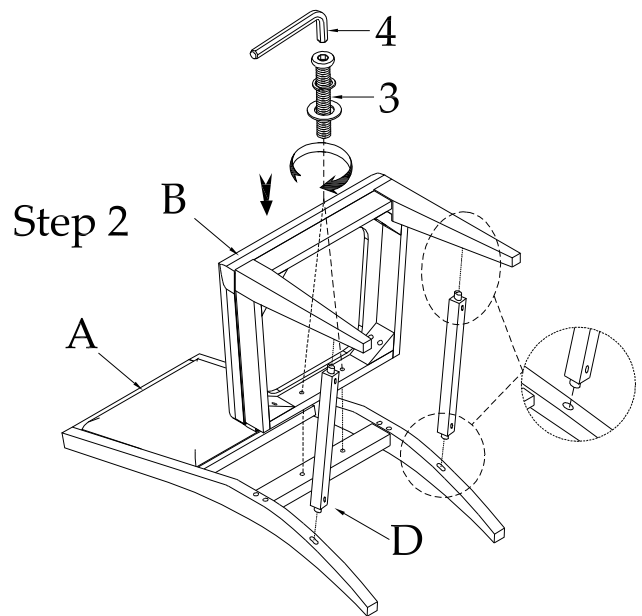
LIST OF HARDWARE

No.	Description			Q'ty
1		Bolt Flat washer Lock washer	Φ5/16"x 18 x 3-1/2" Φ5/16"x Ø12 x 3 Φ5/16 x Ø19 x 2	4
2	  	Hex Nut Flat washer Lock washer	Ø5/16" x 12mm Φ5/16" x Ø12 x 3 Φ5/16 x Ø19 x 2	4
3		Bolt Flat washer Lock washer	Ø1/4" x 20 x 1-1/2" Ø1/4" x Ø12 x 3 Ø1/4 x Ø19 x 2	2
4		L-Allen Key	4mm	1
5		Wrench	12mm	1
6		Wood Screw	#8 x 1-1/2"	4

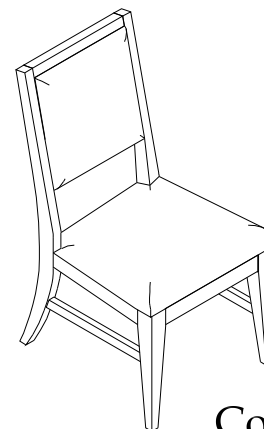
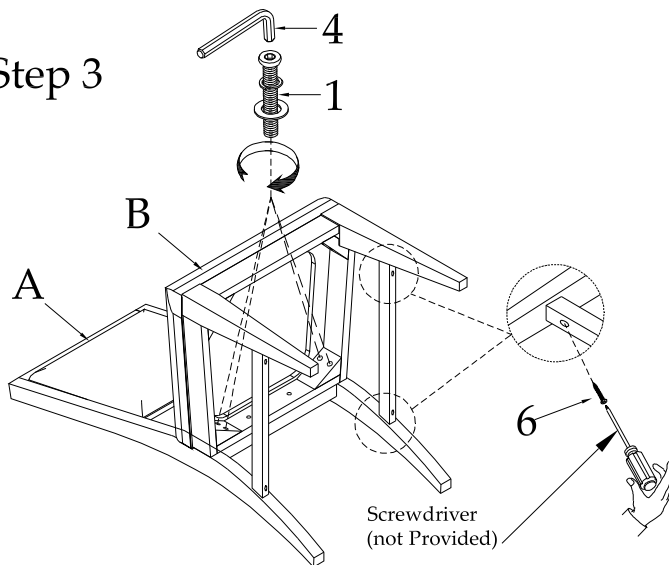
Step 1



Step 2



Step 3



Complete

Hardware Pack Location:

Inside Box: 68957 WOOD BACK UPH SIDE CHAIR 2IN

SKU: 42768905