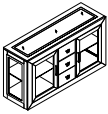
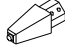
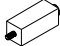
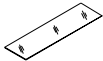
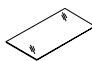









Thank you for purchasing this quality product. Be sure to check all packing materials carefully for small parts, which may have come loose inside the carton during shipment. Identify and count all parts and compare with the **HARDWARE LIST** below.

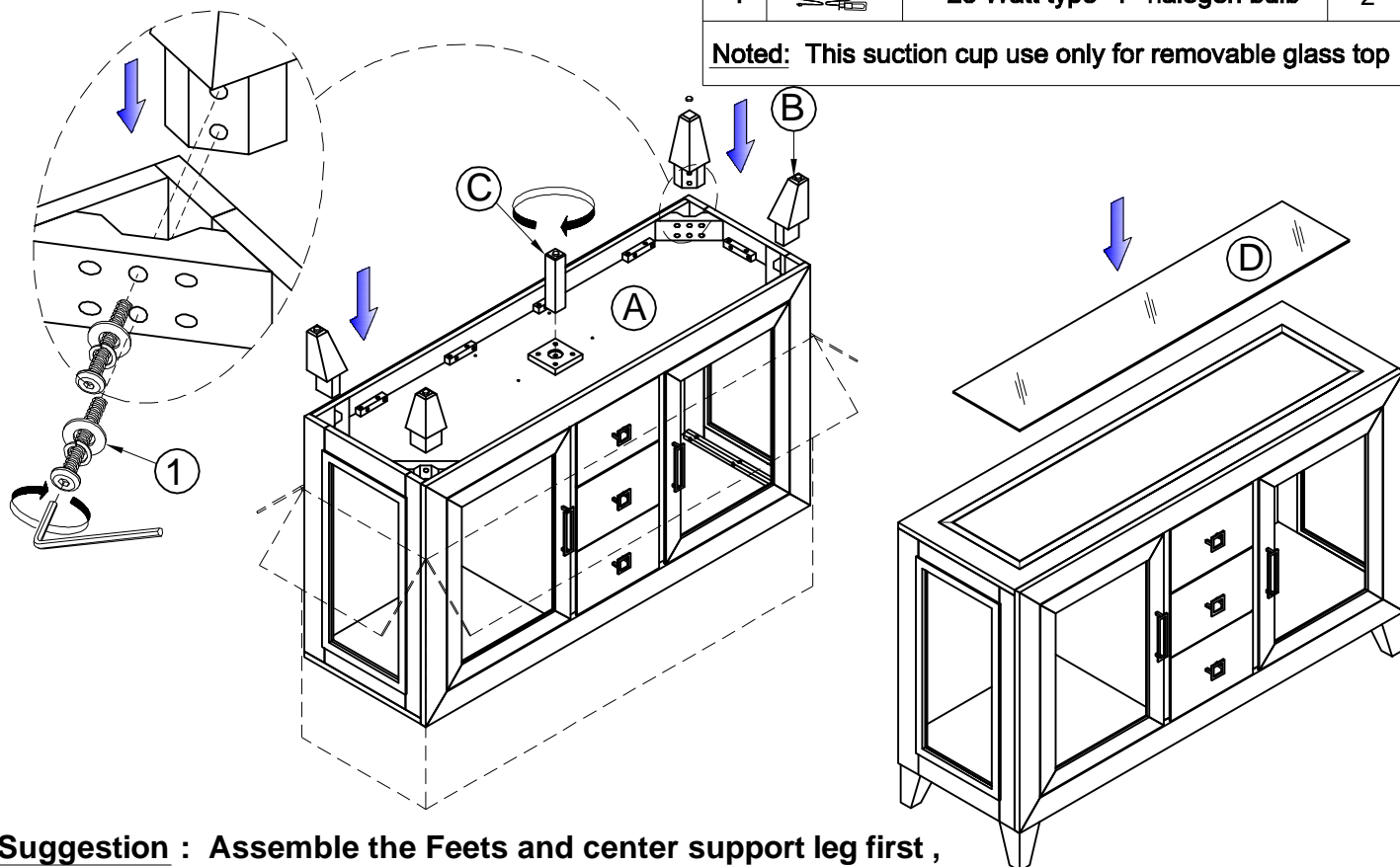
**Caution:** Please read instructions thoroughly before unpacking assembly parts.

1. We recommend that you assemble this product with the assistance of another person; this will make assembly easier, and will help to eliminate damage to the product or injury to persons during assembly.
2. Please do not over tighten screws or bolts until the assembly is completed.
3. Please put all parts on a non-abrasive floor before assembly, and follow the assembly steps to assemble your newly purchased product correctly and efficiently.

NO.	PARTS LIST	Q'TY
A	 Cabinet body	1
B	 Feet	4
C	 Center Support leg	1
D	 Glass top	1
E	 Glass shelf	2

NO.	HARDWARE LIST	Q'TY
1	 Ø5/16"x18x2"L Bolt	8
	 Ø5/16"xØ13x2mm Spring washer	
	 Ø5/16"xØ22x2mmT Flat washer	
	 Allen wrench (4mm)	1
2	 Glass shelf pin support	8
3	 Suction cup	1
4	 25 Watt type "T" halogen bulb	2

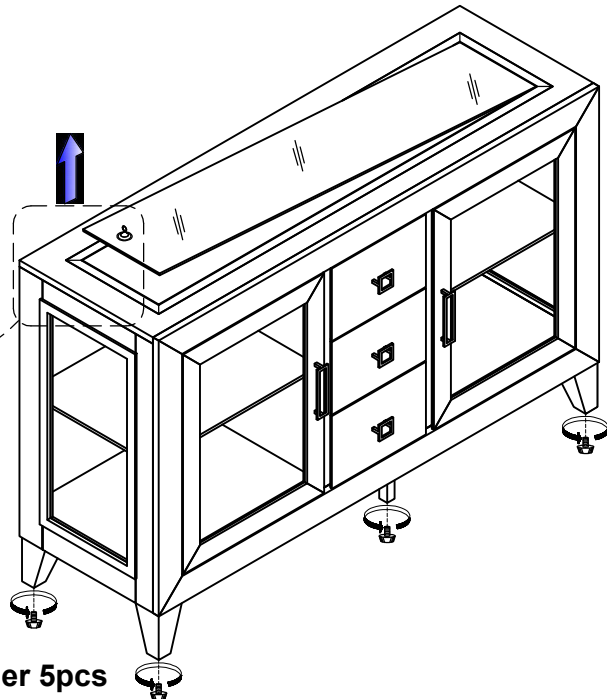
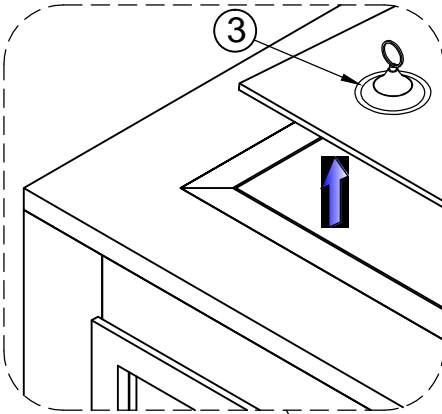
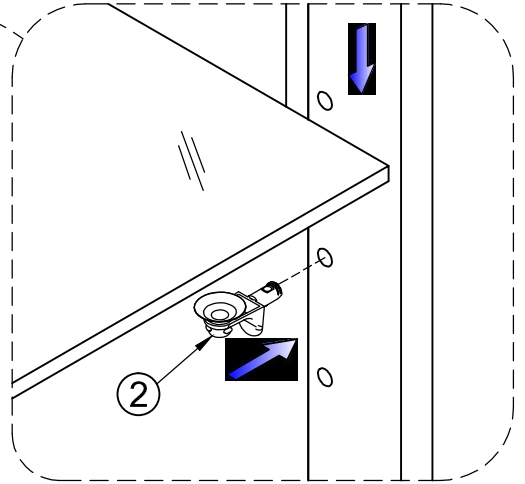
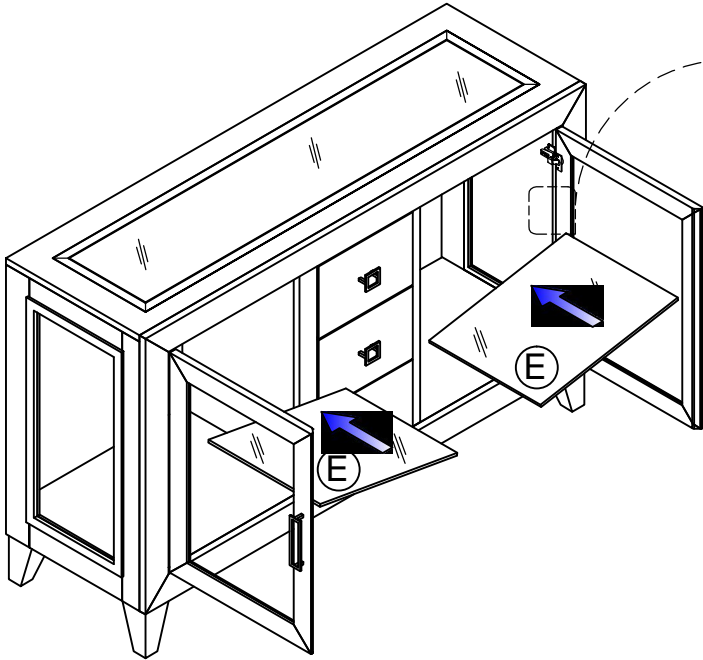
**Noted:** This suction cup use only for removable glass top



**Suggestion :** Assemble the Feets and center support leg first , then take the product out from the carton

# Assembly Instructions

NAJA CHZENS  
42772017 7201-3 SERVER



Leveler 5pcs

Assembly completed  
**Made in VietNam**