



ASSEMBLY INSTRUCTION

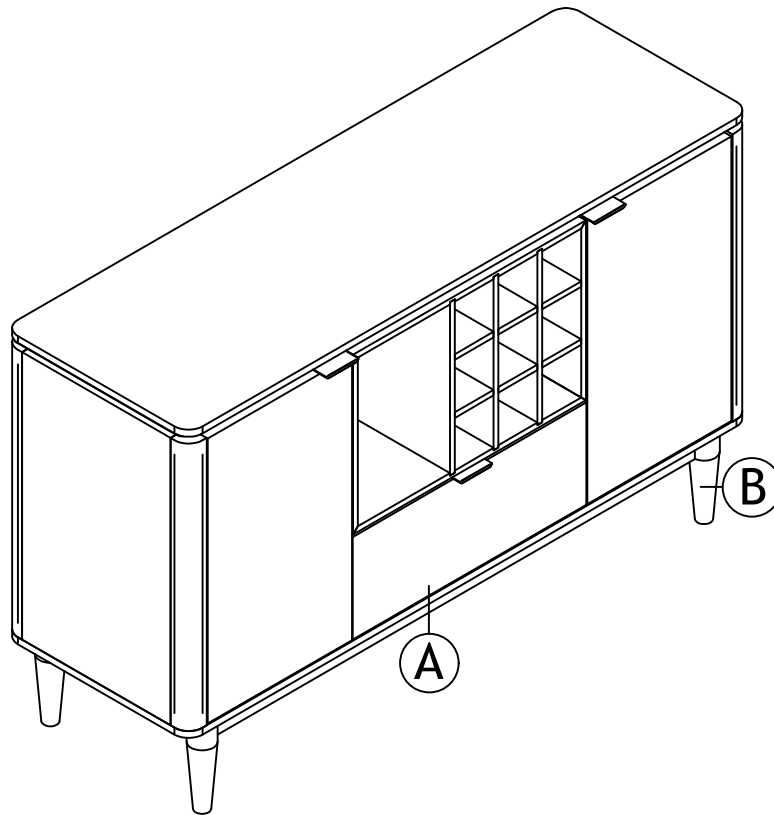
MISB 8107-3 SIDEBOARD

Manufactured by (MISB) for ROOMS TO GO

SKU#42781078

Thank you for purchasing this quality product. Be sure to check all packing material carefully for small parts, which may have come loose inside the carton during shipment. Identify and count all parts and compare with the parts list below:

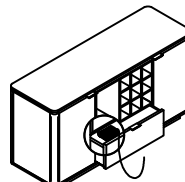
	No.	Picture	Description	Dimension	Qty
Hardware List	①		JCBB SCREW (NYLOK)	M8 X P1.25 X 70MM	8 PCS
			SPRING WASHER	M8 X 12MM	8 PCS
			FLAT WASHER	M8 X 22 X 2.0MM	8 PCS
	②		M4 ALLEN WRENCH	4 X 65MM	1 PC
	③		FURNITURE TIPPING RESTRAINT	-	1 SET
	④		PHILIPS HEAD SCREWDRIVER	NOT PROVIDED	1 PC
Part List			Description		Qty
	A		SIDEBOARD	-	1 PC
	B		LEG	-	4 PCS



Sideboard SKU # 42781078

Version #1-2024/04/24

Hardware Pack Location (s):





ASSEMBLY INSTRUCTION

MISB 8107-3 SIDEBOARD

Manufactured by (MISB) for ROOMS TO GO

SKU#42781078

ASSEMBLY TIPS:

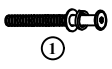
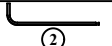
1. Remove hardware from box and sort by size.
2. Please check to see that all hardware and parts are present prior start of assembly.
3. Please follow attached instructions in the same sequence as numbered to assure fast and easy assembly.

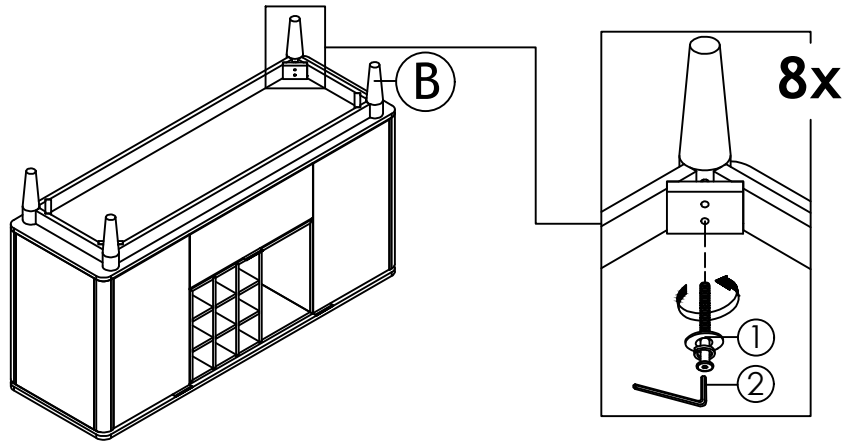
WARNING!

1. Don't attempt to repair or modify parts that are broken or defective. Please contact the store immediately.
2. This product is for home use only and not intended for commercial establishments.



ASSEMBLY STEP

STEP 1: Place leg(B) at 4 corners sideboard frame, then need to use allen wrench to assemble the JCBB screws.

Hardware List		
	Description	Qty
	JCBB SCREW (NYLOK) M8 X P1.25 X 70MM	8 PCS
	SPRING WASHER M8 X 12MM	8 PCS
	FLAT WASHER M8 X 22 X 2.0MM	8 PCS
	M4 ALLEN WRENCH	1 PC



STEP 2: To prevent the Sideboard(A) from tipping, mount one side of the Tipping Restraint(3) to the backside of the Sideboard(A) and the other side to the wall.

Hardware List		
	Description	Qty
	FURNITURE TIPPING RESTRAINT	1 SET
	PHILIPS HEAD SCREWDRIVER	1 PC

