








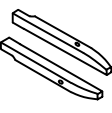
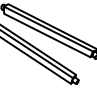
## ASSEMBLY INSTRUCTIONS

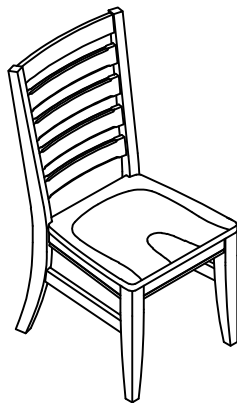
**MIYO 9252-C1BK LADDER BACK CHAIR SKU#42692524**  
**MIYO 9252-C1BL LADDER BACK CHAIR SKU#42792526**  
**MIYO 9252-C1GR LADDER BACK CHAIR SKU#42892528**  
**MIYO 9252-C1WT LADDER BACK CHAIR SKU#42492520**

**Caution:** Please read instructions thoroughly before unpacking assembly parts. Sharp, exposed staple tips can cause injury, therefore, for your protection, please remove any exposed staple used in packing.

1. We recommend that you should assemble this product with the assistance of another person; this will make assembly easier, and will help to eliminate damage to the product or injury to persons during assembly.
2. Be sure to check all packing materials carefully for small parts that may have come loose inside the carton during shipment.
3. Please do not over tighten screws or bolts.
4. Please put all parts on a non-abrasive floor before assembly, and follow the assembly steps to assemble your newly purchased product correctly and efficiently.

HARDWARE LISTS			
NO.	OUTLOOK	SIZE	Q'TY
A		Allen Bolt Ø5/16" x 18 x 2-3/4"	8PCS
		Spring Washer Ø5/16"	8PCS
		Flat washer Ø5/16" x 19mm x 2mm	8PCS
B		Allen Bolt Ø1/4" x 20 x 1-1/2"	2PCS
		Spring Washer Ø1/4"	2PCS
		Flat Washer Ø1/4" x 19mm x 2mm	2PCS
C		Allen Wrench 4mm	1PC
D		Screw #4 x 1-3/4"	4PCS
		Screwdrivers (not Included)	

PART LISTS			
NO.	OUTLOOK	SIZE	Q'TY
1		SEAT	1PC
2		CHAIR BACK	1PC
3		LEG (LEFT - RIGHT)	2PCS
4		SIDE STRETCHER (LEFT - RIGHT)	2PCS



**HARDWARE PACK LOCATION (1)**

9252-C1BK LADDER BACK CHAIR SKU#42692524  
 9252-C1BL LADDER BACK CHAIR SKU#42792526  
 9252-C1GR LADDER BACK CHAIR SKU#42892528  
 9252-C1WT LADDER BACK CHAIR SKU#42492520

**This product is manufactured by MIYO for ROOMS TO GO®**

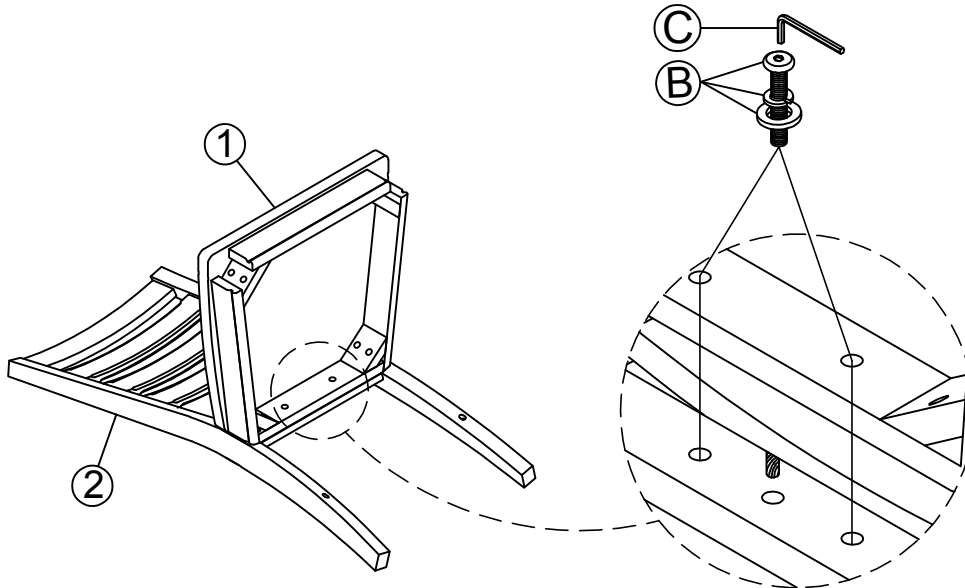
## ASSEMBLY INSTRUCTIONS

**MIYO 9252-C1BK LADDER BACK CHAIR SKU#42692524**  
**MIYO 9252-C1BL LADDER BACK CHAIR SKU#42792526**  
**MIYO 9252-C1GR LADDER BACK CHAIR SKU#42892528**  
**MIYO 9252-C1WT LADDER BACK CHAIR SKU#42492520**

### STEP 1

Attach the seat with frame to the chair back.

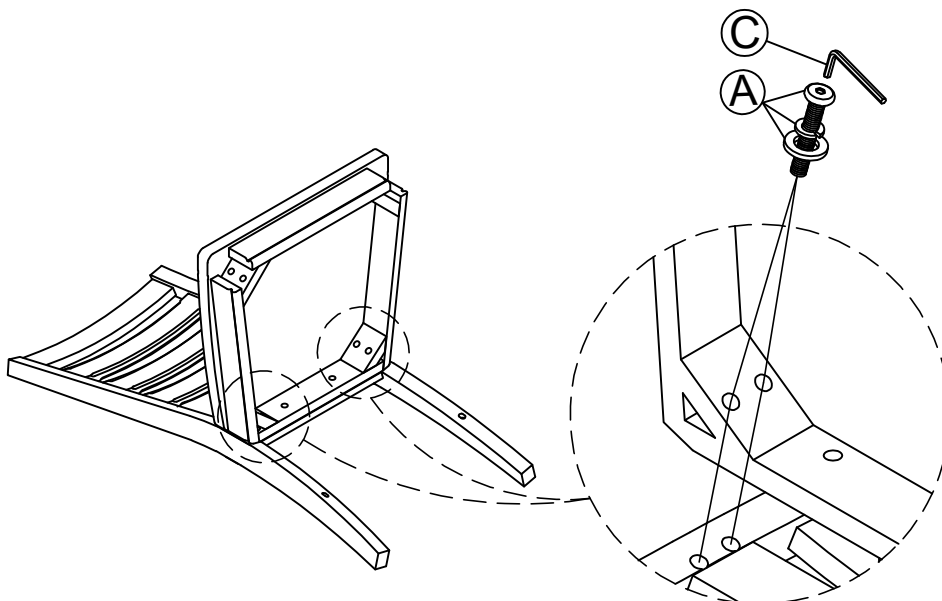
Note: Do not tighten all screws & bolts until the chair is fully assembled.



### STEP 2

Attach the seat with frame to the chair back.

Note: Do not tighten all screws & bolts until the chair is fully assembled.



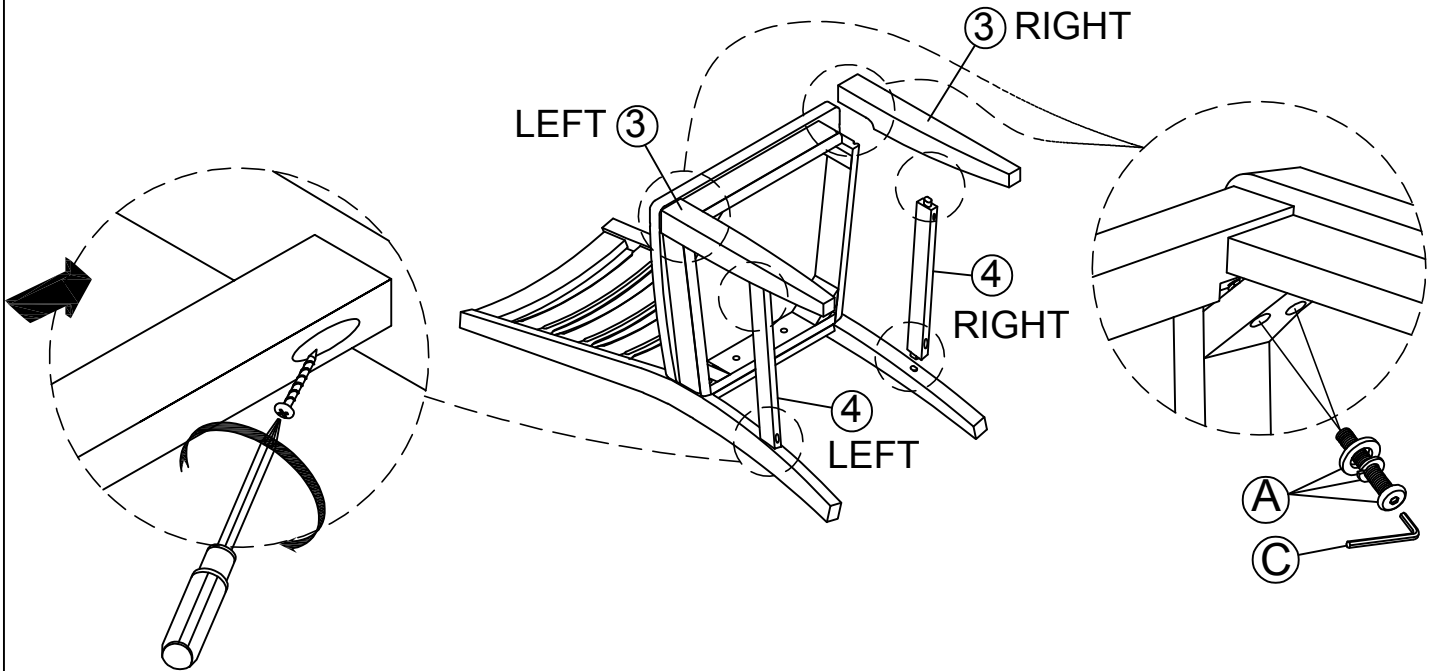
This product is manufactured by MIYO for ROOMS TO GO®

## ASSEMBLY INSTRUCTIONS

**MIYO 9252-C1BK LADDER BACK CHAIR SKU#42692524**  
**MIYO 9252-C1BL LADDER BACK CHAIR SKU#42792526**  
**MIYO 9252-C1GR LADDER BACK CHAIR SKU#42892528**  
**MIYO 9252-C1WT LADDER BACK CHAIR SKU#42492520**

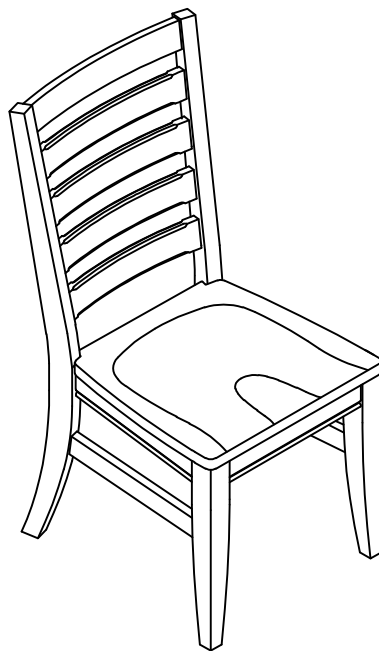
### STEP 3

Stretcher insert to the front leg and back leg of chair back, then attach front leg to the seat with frame.  
Note: Do not tighten all screws & bolts until the chair is fully assembly.



Completed

Note: Level the chair and tighten all bolts with the allen wrench.



This product is manufactured by MIYO for ROOMS TO GO®