



ASSEMBLY INSTRUCTIONS

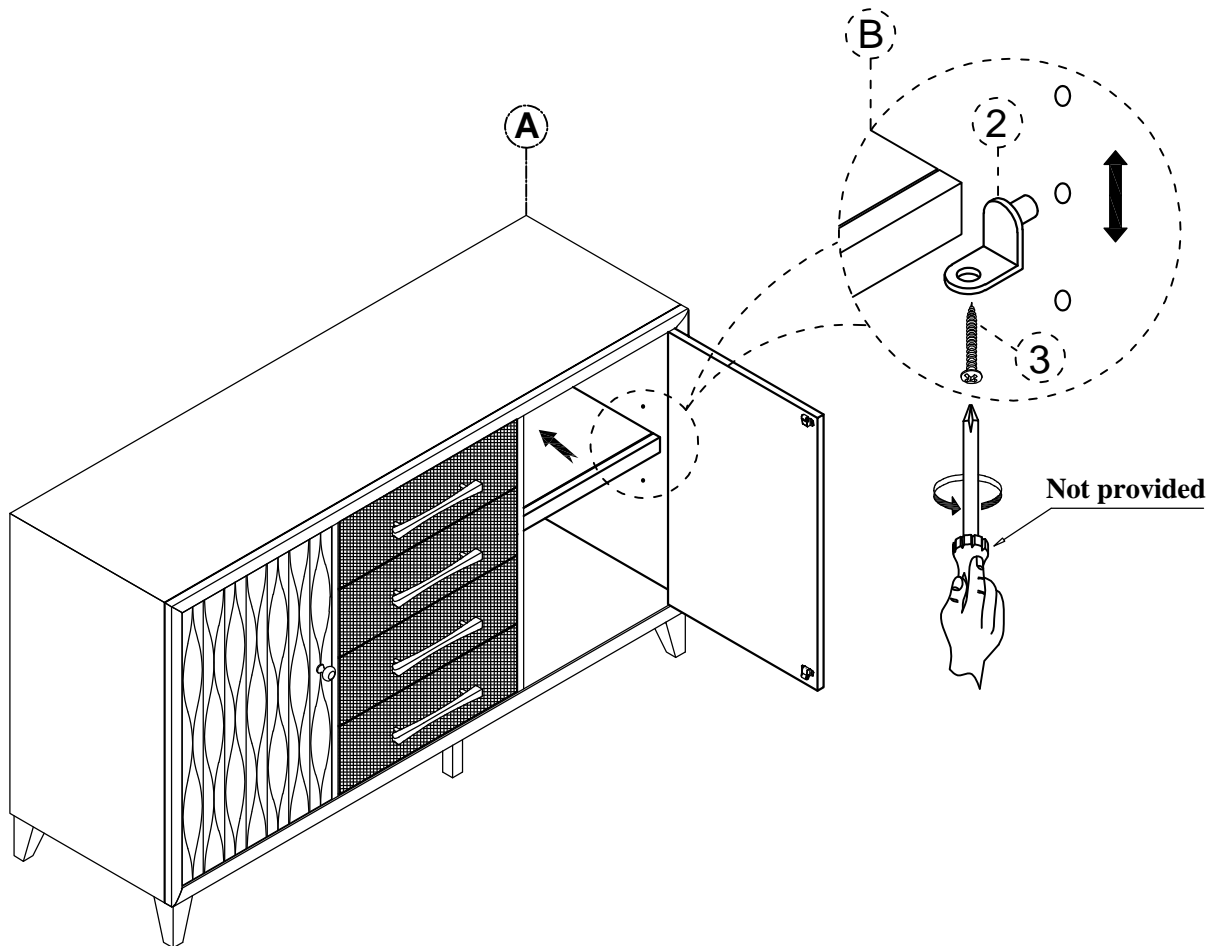
PHOM 375-677 Server SKU #42793756

Manufactured by PHOM for Rooms To Go Version 1 - Date Sept 15th, 2025

Caution: Please read the instructions thoroughly before unpacking and assembly. Sharp, exposed staple tips can cause injury. Therefore, for your protection, please remove any exposed staples used in the packaging.

1. We recommend that you should assemble this product with the assistance of another person; this will make assembly easier, and will help eliminate damage to the product or injury to persons during assembly.
2. Be sure to check all packing materials carefully for small parts that may have come loose inside the carton during shipment.
3. Please do not over tighten screws or bolts.
4. Please put all parts on a non-abrasive floor before assembly, and follow the assembly steps to assemble your newly purchased product correctly and efficiently.

STEP 1



| NO. | PART LIST | Q'TY |
|-----|------------|-------|
| A | SERVER | 1 Pc |
| B | Wine Shelf | 2 Pcs |

| NO. | HARDWARE LIST | Q'TY |
|-----|------------------------|-------|
| 1 | Tipping Restraint | 1 Set |
| 2 | Shelf pin | 8 Pcs |
| 3 | Wood screw #3.5 x 15mm | 8 Pcs |

Hardware Pack Location (s):
375-677 Server SKU #42793756

Made in Viet Nam

01 OF 02



ASSEMBLY INSTRUCTIONS

PHOM 375-677 Server SKU #42793756

Manufactured by PHOM for Rooms To Go Version 1 - Date Sept 15th, 2025

Caution: Please read the instructions thoroughly before unpacking and assembly. Sharp, exposed staple tips can cause injury. Therefore, for your protection, please remove any exposed staples used in the packaging.

1. We recommend that you should assemble this product with the assistance of another person; this will make assembly easier, and will help eliminate damage to the product or injury to persons during assembly.
2. Be sure to check all packing materials carefully for small parts that may have come loose inside the carton during shipment.
3. Please do not over tighten screws or bolts.
4. Please put all parts on a non-abrasive floor before assembly, and follow the assembly steps to assemble your newly purchased product correctly and efficiently.

STEP 2

Remark:

Anti-tip hardware must be installed by customer.
Anti-tipping hardware attached to the back panel.

