
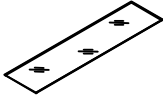




ASSEMBLY INSTRUCTIONS

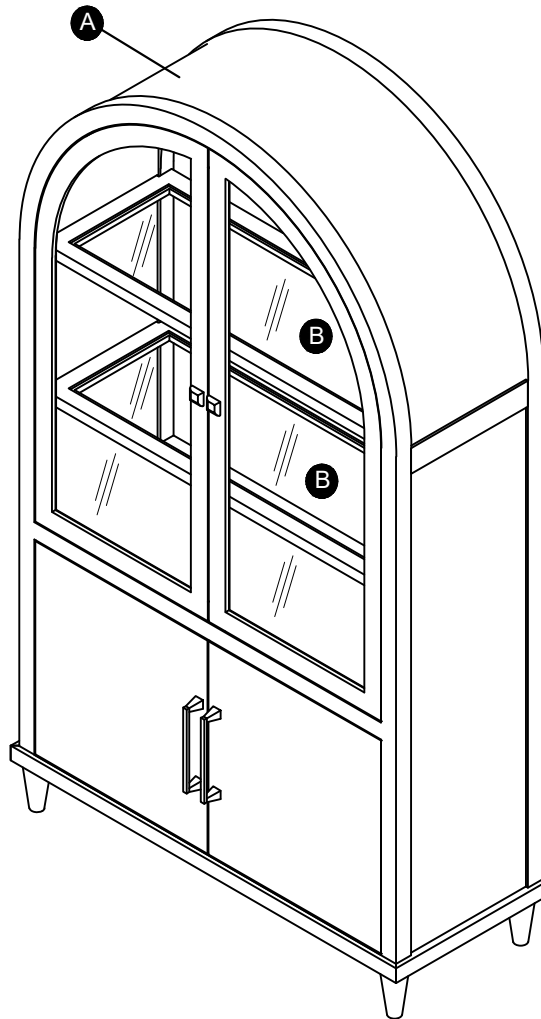
HILB

5449-850 CABINET WITH 4 DOORS - SKU : 42854491

Thank you for purchasing this quality product. Be sure to check all packing materials carefully for small parts which may have come loose inside the carton during shipment. Identify and count all parts and compare with the parts list below.

COMPONENT LIST			
NO.	Description	Sketch	Q'TY
A	Cabinet		1pc
B	Glass Shelf		2pcs

HARDWARE LIST				
NO.	Picture	Description	Dimension	Q'TY
1		Tipping Restraint		1 Set
2		Tool Required(not provided)		



PARTS DETAILS

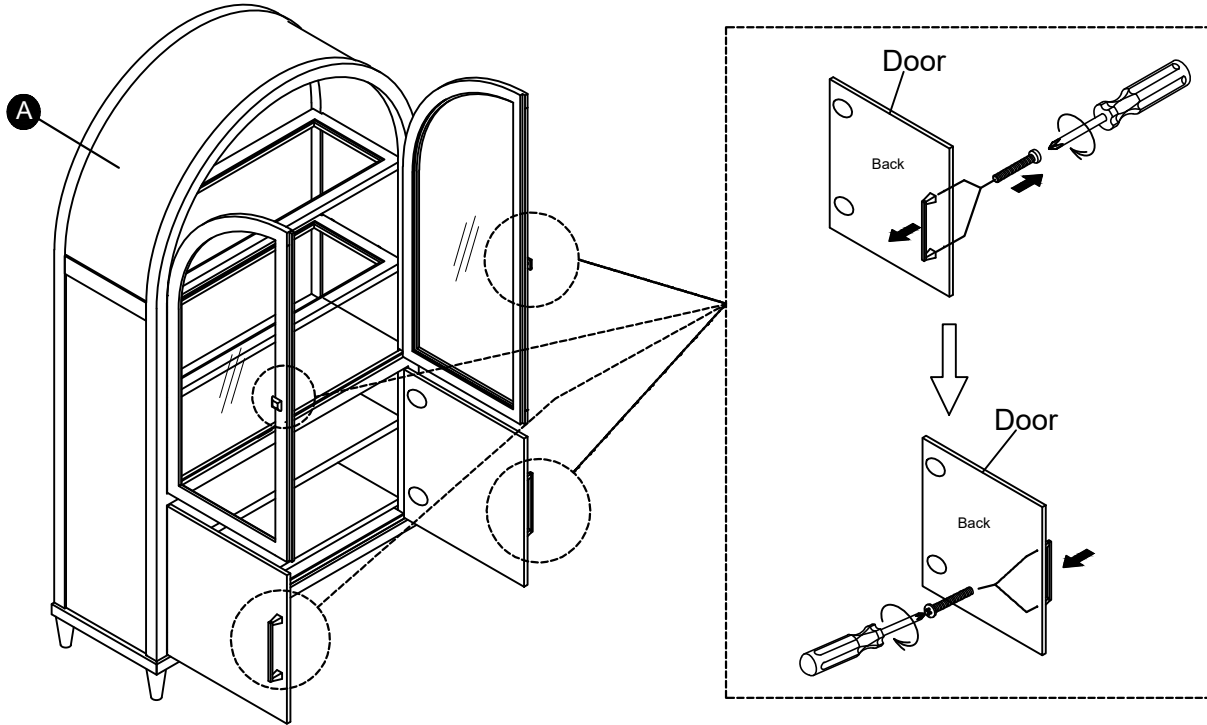
This product is manufactured by HILB for **ROOMS TO GO®**

ASSEMBLY INSTRUCTIONS

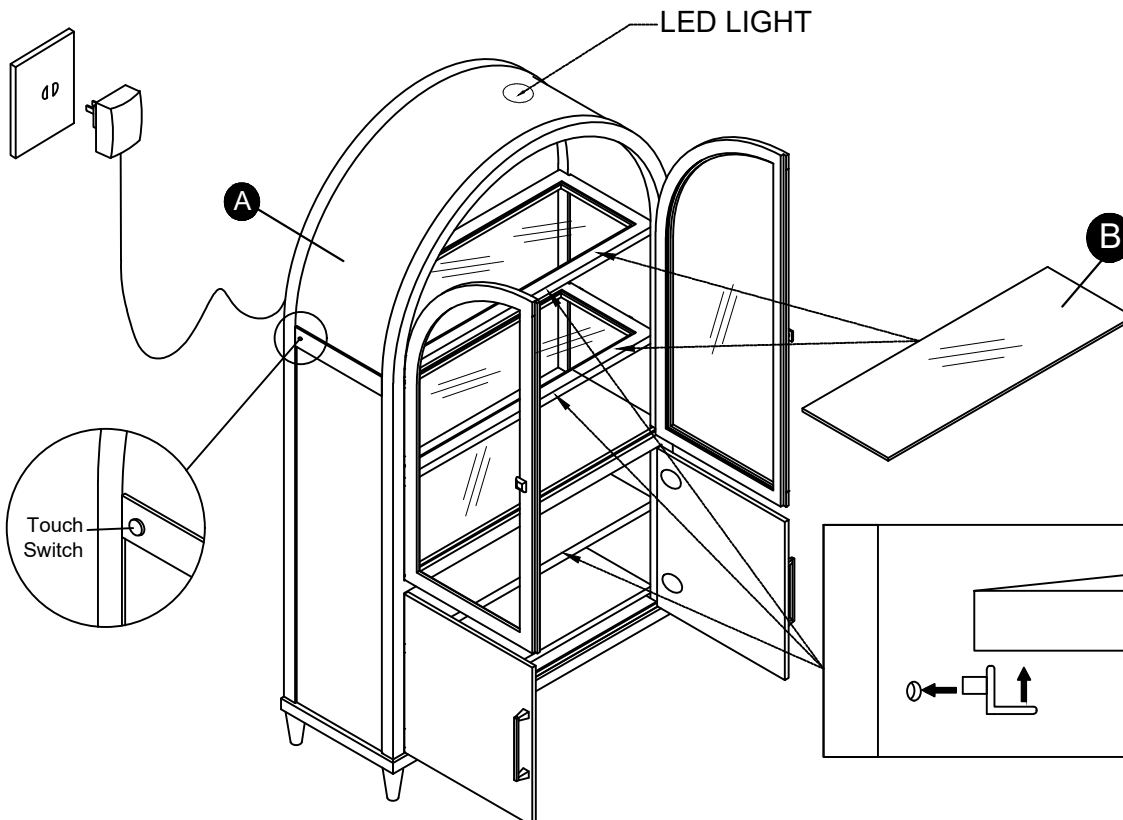
HILB

5449-850 CABINET WITH 4 DOORS - SKU : 42854491

STEP 1 : Use Phillip driver (Not provided) disassemble the handles from the back of doors, and assemble the handles on the door front.



STEP 2 : Insert Glass Shelf (B) into each of the wood frames in Cabinet (A).



Remarks :
The unit includes an adjustable shelf that had been secured prior to shipping. If you wish to change the position of the shelf, you must first remove the set screw from the bottom of the shelf with a small screwdriver. This is a very simple process that does not require any technical knowledge. Upon screw removal, you may place the shelf and support bracket in the new position holes, align the shelf and replace the set screw, if so desired. Set screws do not need to be in every bracket.

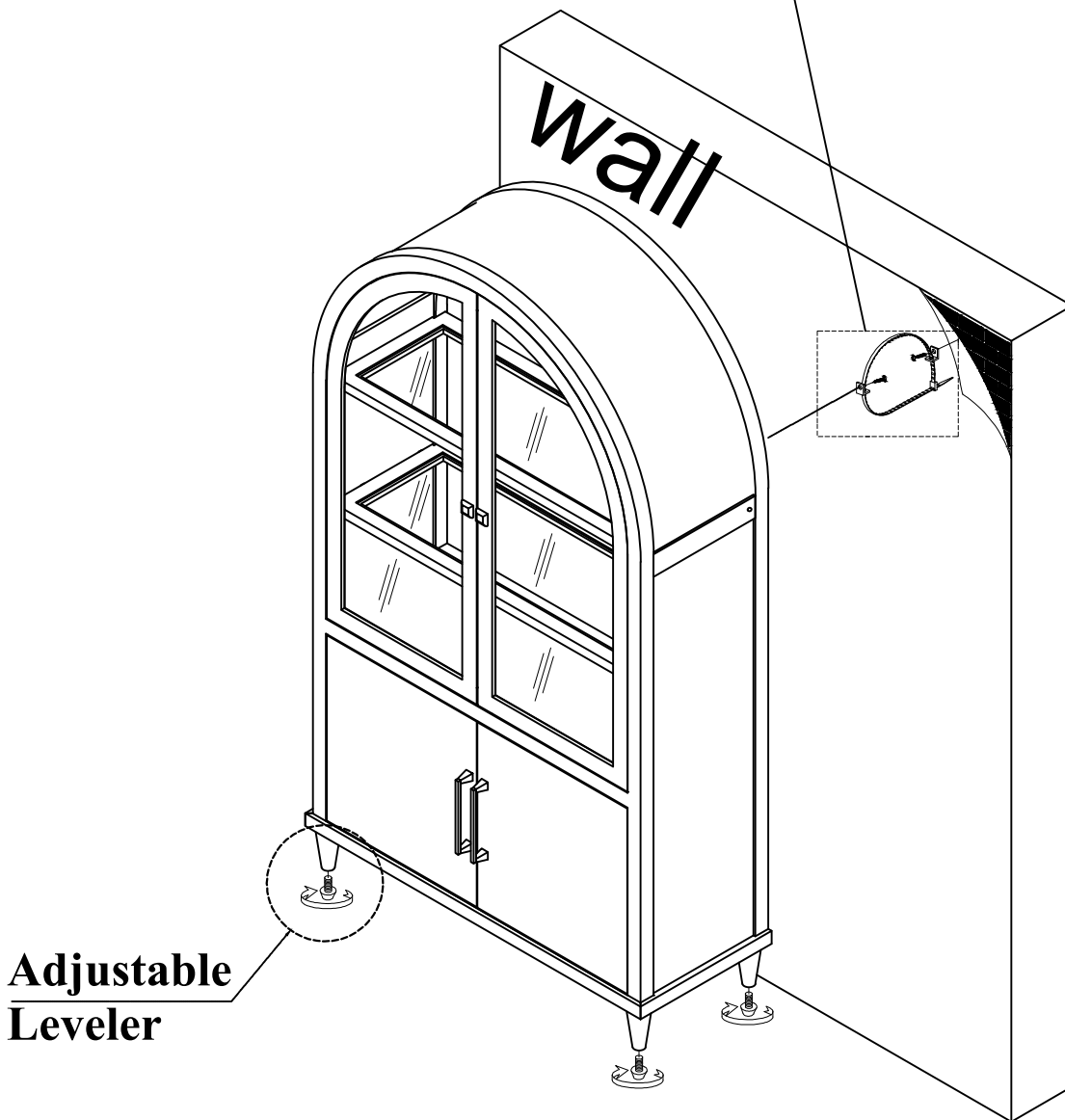
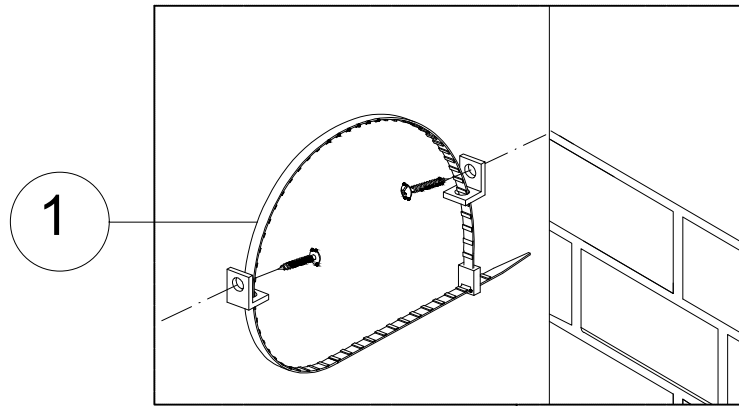
This product is manufactured by HILB for **ROOMS TO GO®**

ASSEMBLY INSTRUCTIONS

HILB

5449-850 CABINET WITH 4 DOORS - SKU : 42854491

STEP 3: Turn over the Server, attached the Tipping Restraint (1) to the wall.



This product is manufactured by HILB for **ROOMS TO GO** 