



ASSEMBLY INSTRUCTIONS

ITCO 6316-8 SERVER SKU : 42863161

Manufactured by ITCO for Rooms To Go

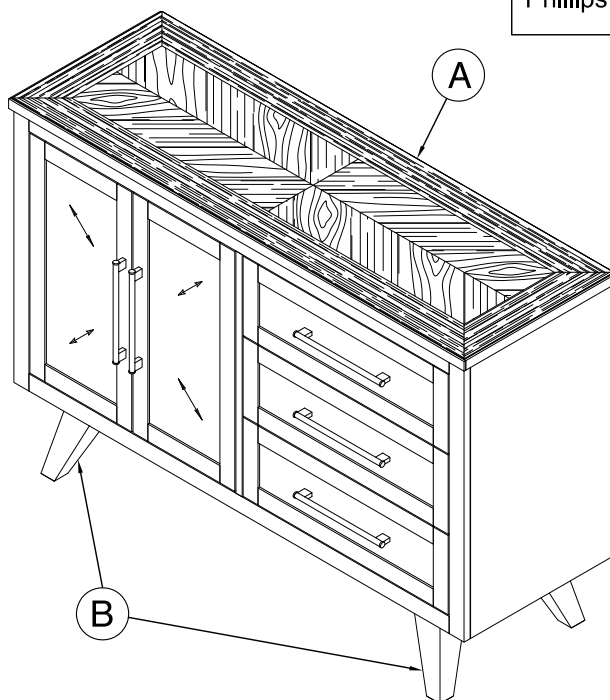
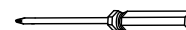
Thank you for purchasing this quality product . Be sure to check all packing material carefully for small parts which may have come loose inside the carton during shipment .Identify and count all parts and compare with the hardware list as below :

	No.	Picture	Description	Dimension	Qty
Hardware list	①		JCBC (M6) with washer	6 x P1.0 x 57mm	8 Pcs
	②		Allen Key (M4)	4 x 58mm	1 Pc
	③		Anti-Tipping Hardware		1Set

	No.	Description	Qty
Parts list	A	Server	1 Pc
	B	Legs	4 Pcs

TOOLS REQUIRED (NOT PROVIDED)

Phillips Screwdriver



PARTS DETAIL

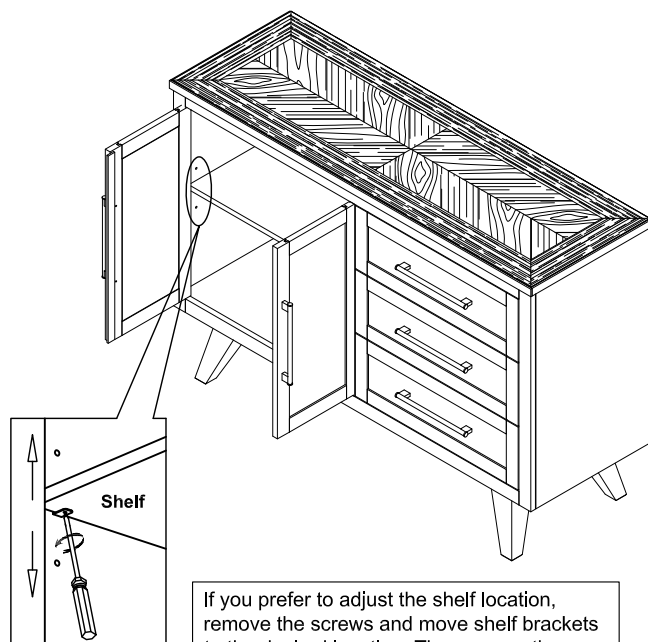
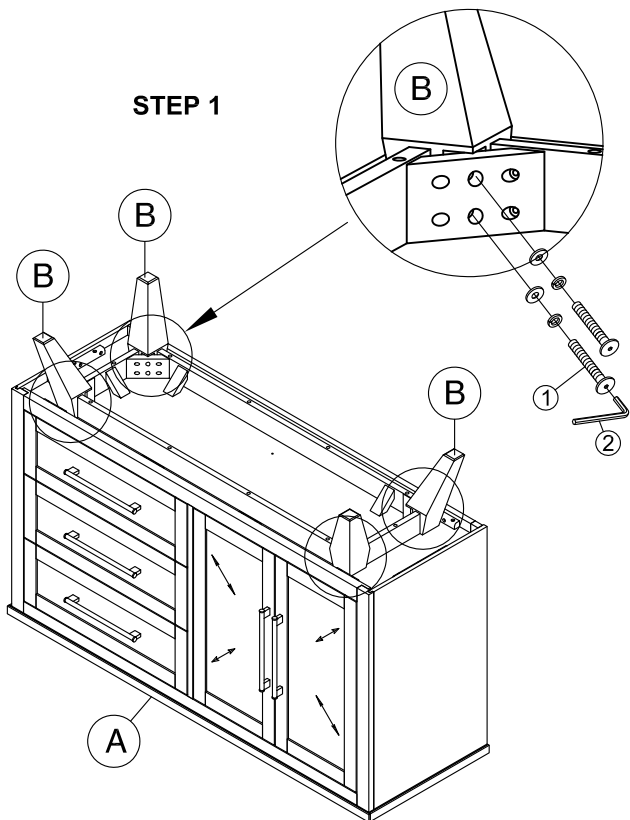
Hardware Pack Location (s): Underneath server bottom

SERVER, SKU : 42863161

Version 1 - date created : 08-2023

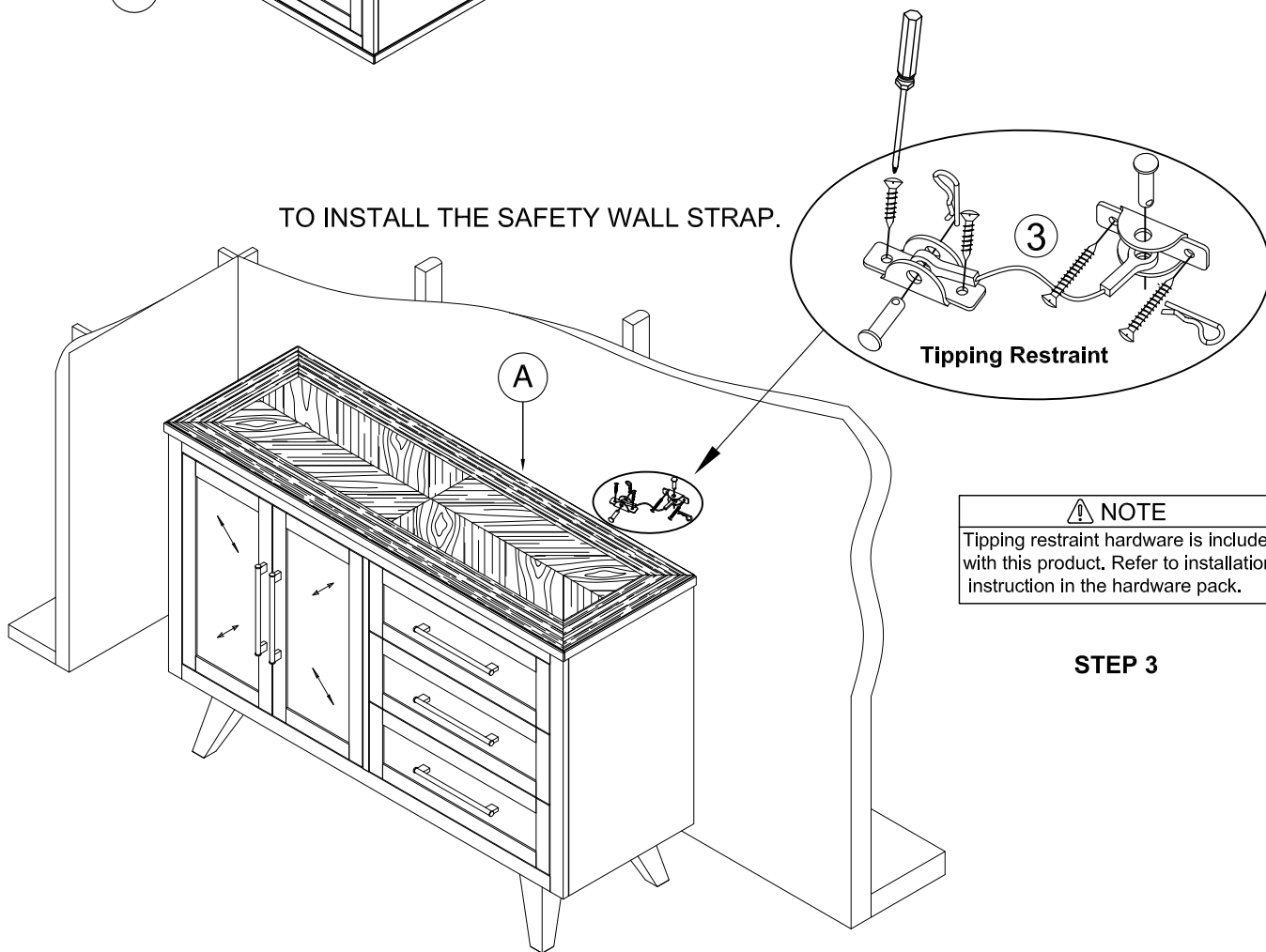
Assembly Steps

STEP 1



STEP 2

TO INSTALL THE SAFETY WALL STRAP.



NOTE
Tipping restraint hardware is included with this product. Refer to installation instruction in the hardware pack.

STEP 3

NOTE :

To ensure that the unit is levelled, assemble the unit on flat & soft surface. DO NOT tighten all the screws & bolts until the unit been adjust & level all the legs so that they do not wobble. Once adjusted then only tighten all the screws using Allen Key while making sure the unit remain level.