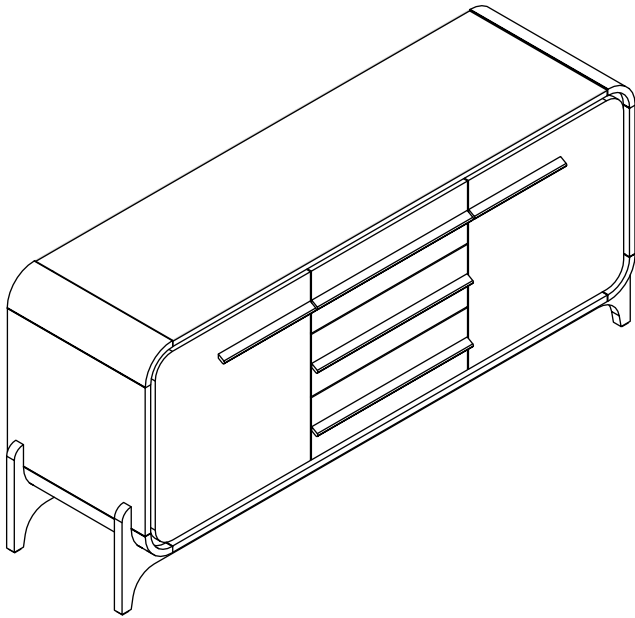








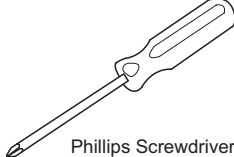
Assembly Instructions

6346-8 BUFFET

SKU #42863464

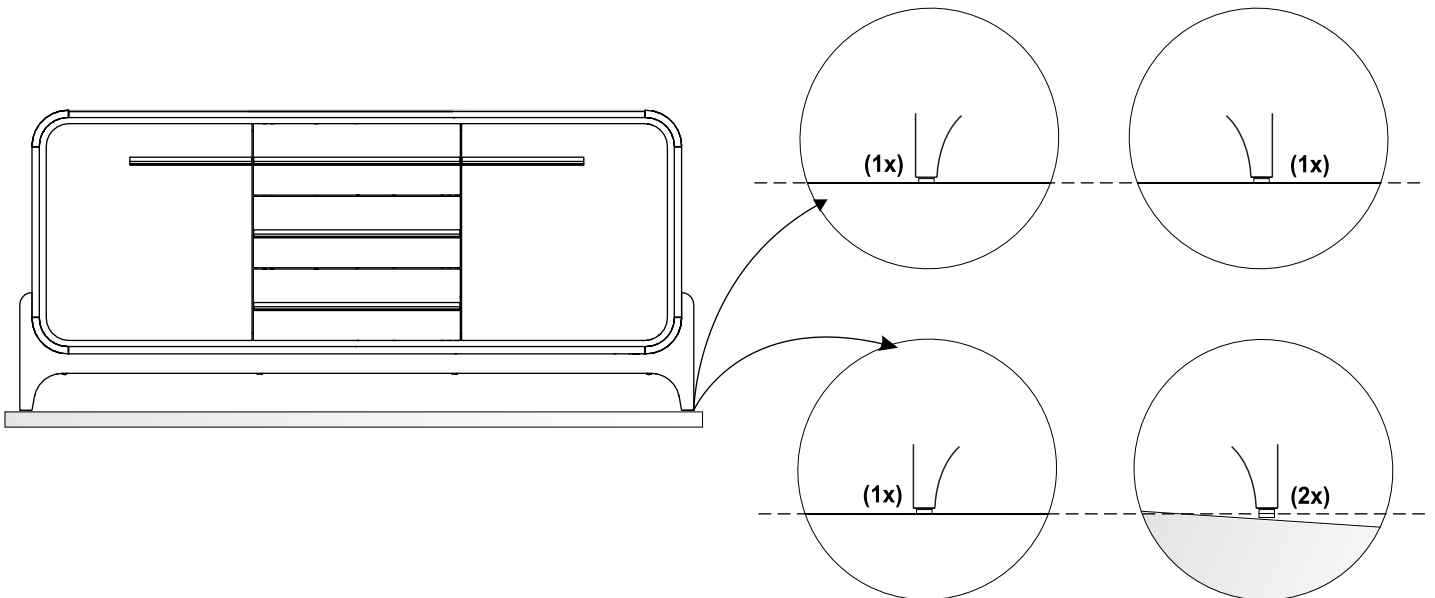
Vendor Code: SAFC




A	 Felt	08
B	 Screw Ø4,0x20 #10	01
C	 Flat Washer	02
D	 Strap	01
E	 Wall Anchor	01
F	 Screw Ø4,0x40 #15	01
<p>TOOL REQUIRED (not included)</p>  <p>Phillips Screwdriver</p>		

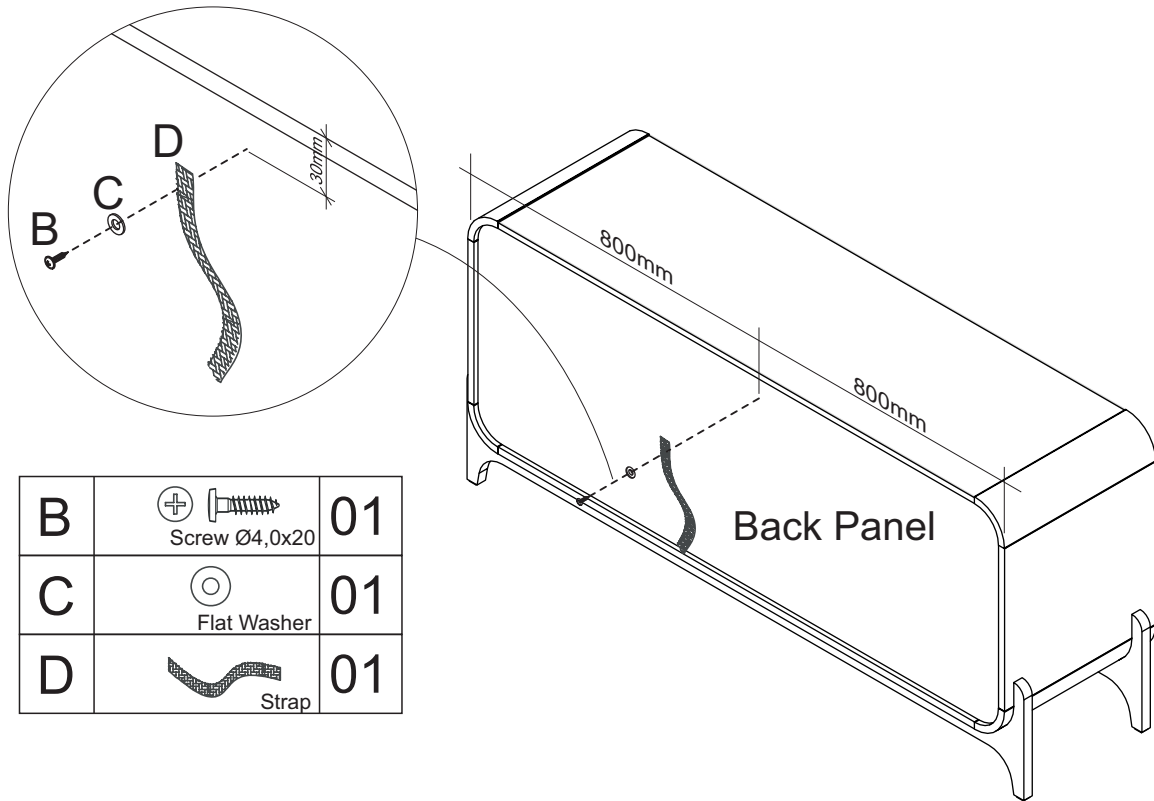
STEP 1: USE THE FELT (A) IF THE FLOOR IS NOT LEVEL.




Use only if the floor is not level.



A	 Felt	08
----------	--	-----------

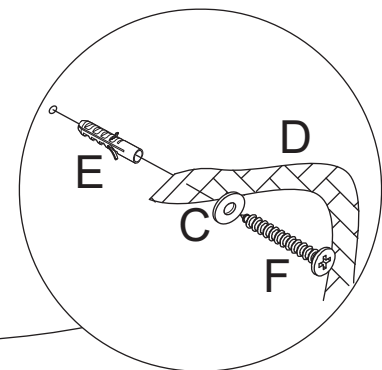
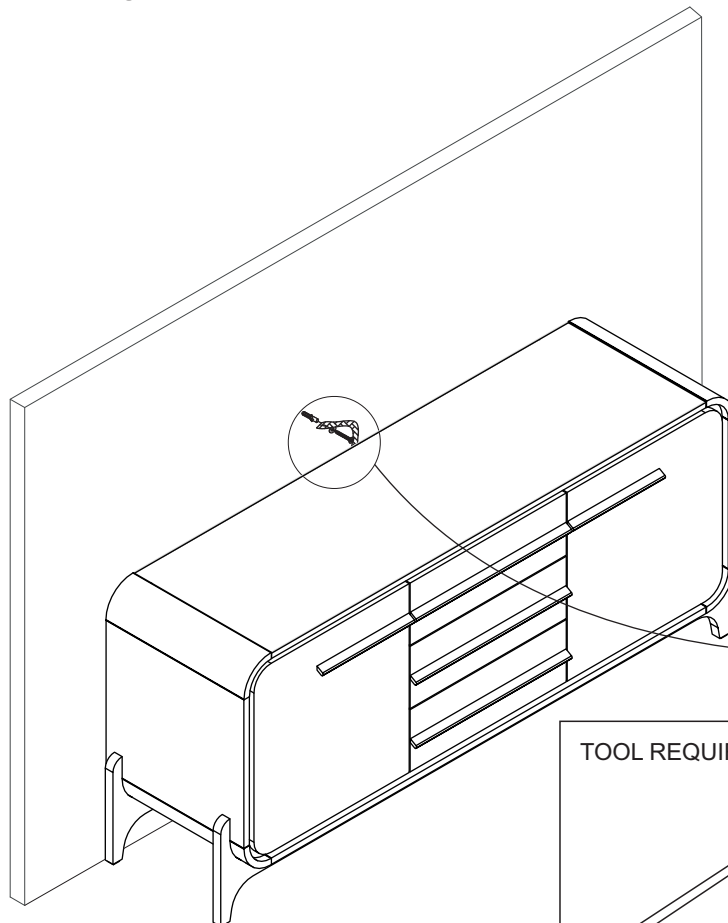
STEP 2: USE THE SCREW (B) AND THE FLAT WASHER (C) TO ATTACH THE STRAP (D) ON THE BACK PANEL RESPECTING THE MEASUREMENTS.

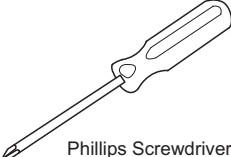





B	 Screw Ø4,0x20	01
C	 Flat Washer	01
D	 Strap	01

STEP 3: USE THE SCREW (F) AND THE FLAT WASHER (C) TO ATTACH THE STRAP (D) ON THE WALL.

Universum do Brasil Ind. Moveleira Ltda.
 Rod. RS 122, nº590
 95250-000
 Antônio Prado - RS
Made in Brazil
03/2023



TOOL REQUIRED (not included)  Phillips Screwdriver	C	 Flat Washer	01
	E	 Wall Anchor	01
	F	 Screw Ø4,0x40	01