





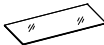

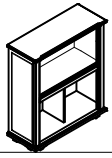
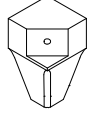

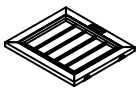
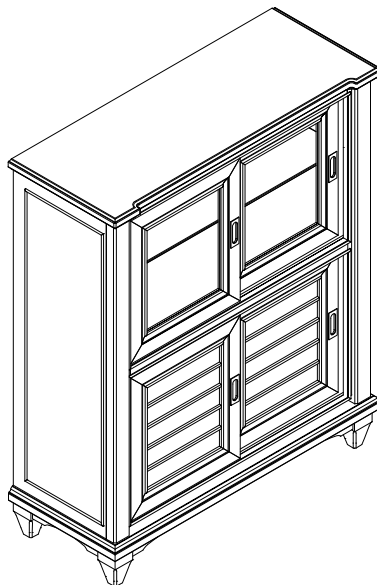


WARNING: To avoid alignment issue, please don't tighten the screws unless all legs are adjusted at the same level.

HARDWARE LIST / LISTE DE QUINCAILLERIE		QTY' / QTÉ
A	Long Bolt Ø1/4"x20x2-3/8"	 8 pcs 8 pièces
	Boulon Ø1/4"x20x2-3/8"	
B	Spring Washer Ø1/4x12x2mm	 8 pcs 8 pièces
	Rondelle de ressort Ø1/4x12x2mm	
C	Flat Washer Ø1/4x19x2mm	 8 pcs 8 pièces
	Rondelle plate Ø1/4x19x2mm	
D	Allen Key 75*25*4mm	 1 pc 1 pièces
	Clé Allen 75*25*4mm	
E	Metal pin	 4 pcs 4 pièces
F	Furniture tipping restraint	 1 pc 1 pièces
G	Glass shelf	 1 pc 1 pièces
H	Screw driver	 not included

PART LIST/LISTE DE PIÈCES		QTY' / QTÉ
1	2 Pièces DRAWER DRESSER	 1 PC 1 Pièce
2	LEG (LEVELER PRE- INSTALLED)	 4 PCS 4 Pièces
3	UPPER DOOR RIGHT LEFT	 2 PCS 2 Pièces
4	BOTTOM DOOR RIGHT LEFT	 2 PCS



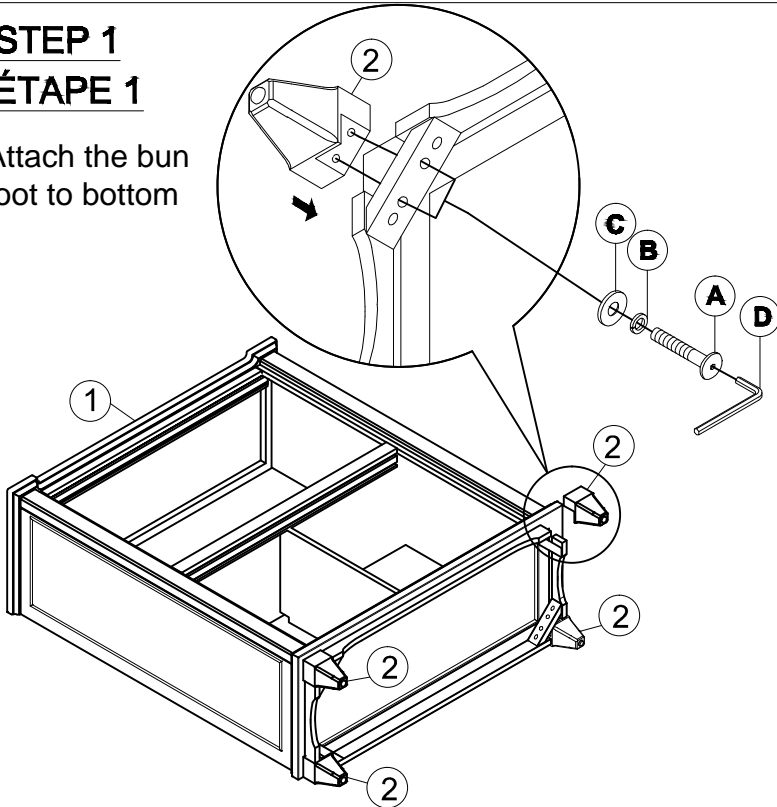
ASSEMBLY COMPLETED / ASSEMBLÉE TERMINÉE

*****Caution: Please read all instructions carefully before starting the assembly process. These parts are cumbersome and heavy. Therefore, two people are recommended in order to prevent personal injury and ensure the parts are not damaged during the assembly.**

*****Avertissement: veuillez lire toutes les instructions attentivement avant de commencer l'assemblage. Ces pièces sont encombrantes et lourdes. Il est recommandé d'être deux personnes pour l'assemblage afin de prévenir des blessures et/ou risquer d'endommager les pièces.**

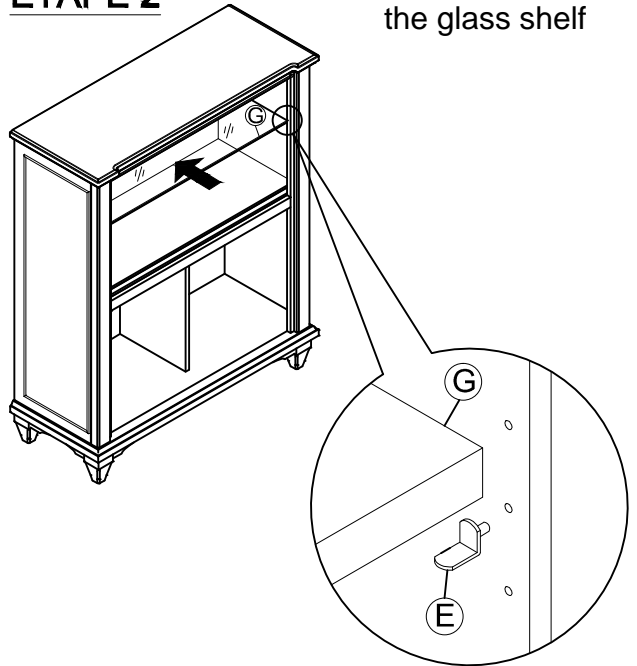
STEP 1
ÉTAPE 1

Attach the bun foot to bottom



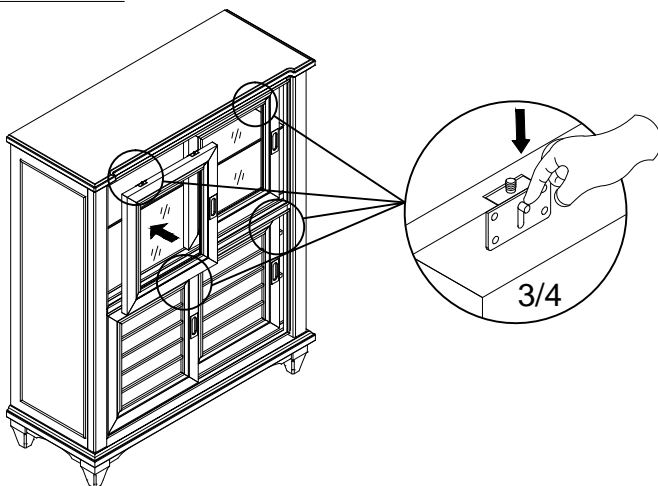
STEP 2
ÉTAPE 2

Align the metal pin to assemble the glass shelf



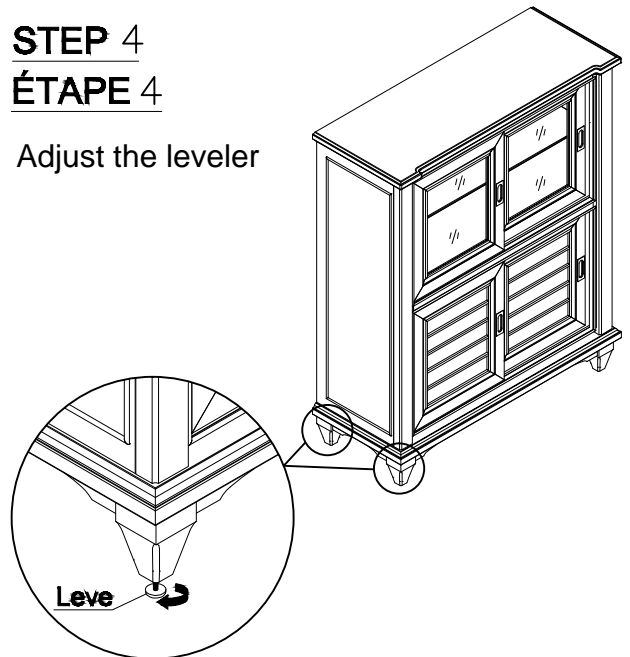
STEP 3
ÉTAPE 3

Press the slide hardware to assemble the upper door



STEP 4
ÉTAPE 4

Adjust the leveler



HOUS 6592-CU CURIO
6594-CU CURIO
6596-CU CURIO

42865925
SKU# 42865949
42865963

*****Caution: Please read all instructions carefully before starting the assembly process. These parts are cumbersome and heavy. Therefore, two people are recommended in order to prevent personal injury and ensure the parts are not damaged during the assembly.**

*****Avertissement: veuillez lire toutes les instructions attentivement avant de commencer l'assemblage. Ces pièces sont encombrantes et lourdes. Il est recommandé d'être deux personnes pour l'assemblage afin de prévenir des blessures et/ou risquer d'endommager les pièces.**

**STEP 5
ÉTAPE 5**

Install the tip restraint hardware to help prevent any accidents or damage to the unit. We strongly recommend attaching the tip restraint hardware to a wall stud and your unit. For all other wall types, please visit your local hardware store to obtain the proper hardware.

