











# ASSEMBLY INSTRUCTIONS

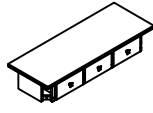
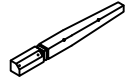
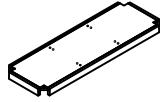

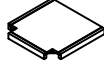
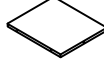

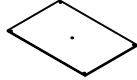
Manufactured by GRVE for Rooms To Go

GRVE 9350-SB SIDEBOARD SKU# 42893506

GRVE 9353-SB SIDEBOARD SKU# 42893532

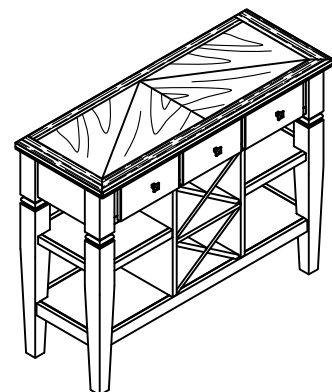
Thank you for purchasing this quality product. Be sure to check all packing material carefully for small parts which may have come loose inside the carton during shipment. Identify and count all parts and compare with part list below.

HARDWARE LIST		Q'TY
1	Long Bolt φ1/4"-20 x 2-1/2"	 16pcs
	Spring Washer φ5/16" x1/2"	 16pcs
	Flat Washer φ5/16" x3/4"	 16pcs
2	Short Bolt φ1/4"-20 x 1-1/8"	 13pcs
	Spring Washer φ5/16" x1/2"	 13pcs
	Flat Washer φ5/16" x3/4"	 13pcs
3	Allen Key 5/32"	 1pc
4	Anti-Tipping Hardware ( customer assembly required )	 1Set

PART LIST		QTY'
A	Server	 1pc
B	Legs	 4pcs
C	Bottom Shelf	 1pc
D	Center Panel (left-right)	 2pcs
E	Shelf	 2pcs
F	Shelf (center)	 1pc
G	Wine Shelf	 4pcs
H	Back Rail	 1pc

TOOLS REQUIRED (NOT PROVIDED)

Phillips Screwdriver



ASSEMBLY COMPLETED

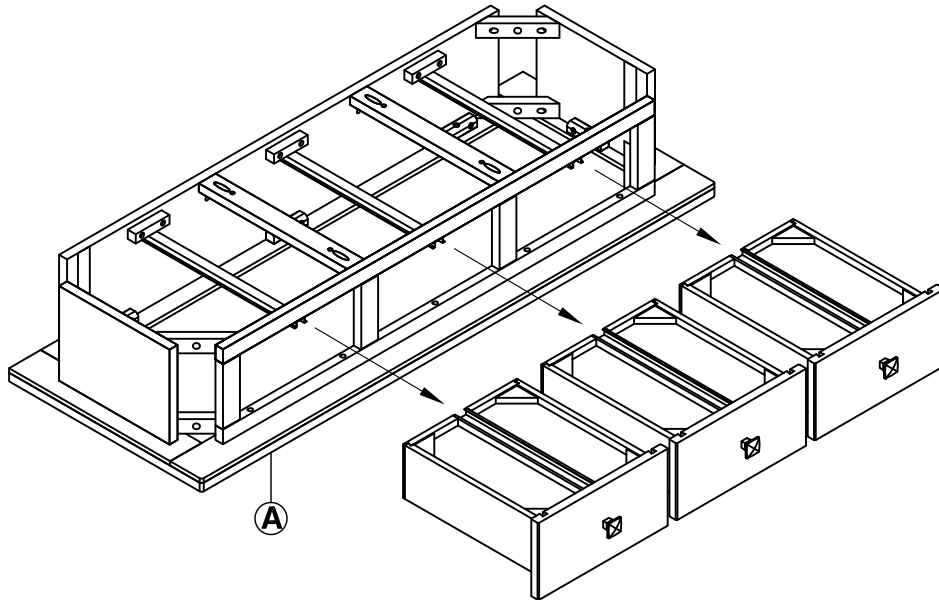
**Hardware Pack Location(S):** Underneath Server bottom

SIDEBOARD SKU# 42893506

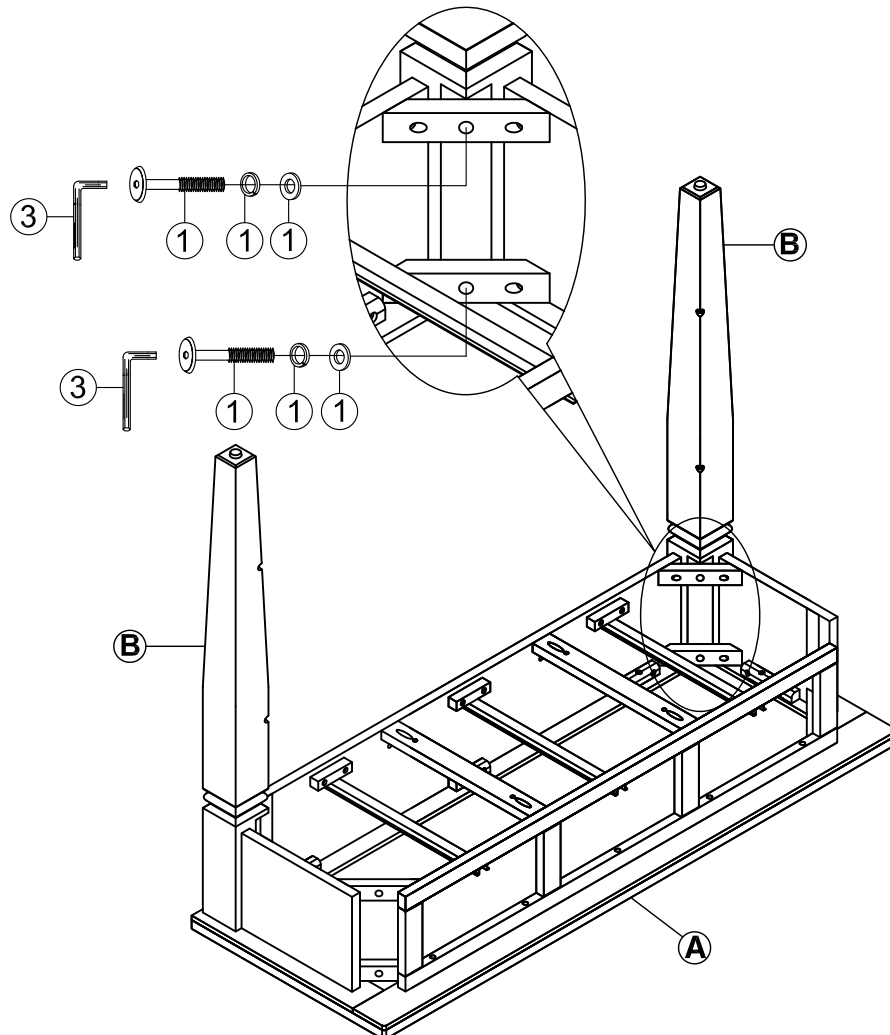
SIDEBOARD SKU# 42893532

Thank you for purchasing this quality product. Be sure to check all packing material carefully for small parts which may have come loose inside the carton during shipment. Identify and count all parts and compare with part list below.

## STEP 1



## STEP 2





Manufactured by GRVE for Rooms To Go

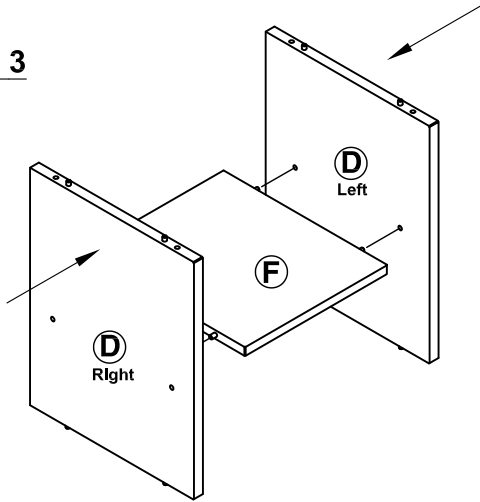
# ASSEMBLY INSTRUCTIONS

GRVE 9350-SB SIDEBOARD SKU# 42893506

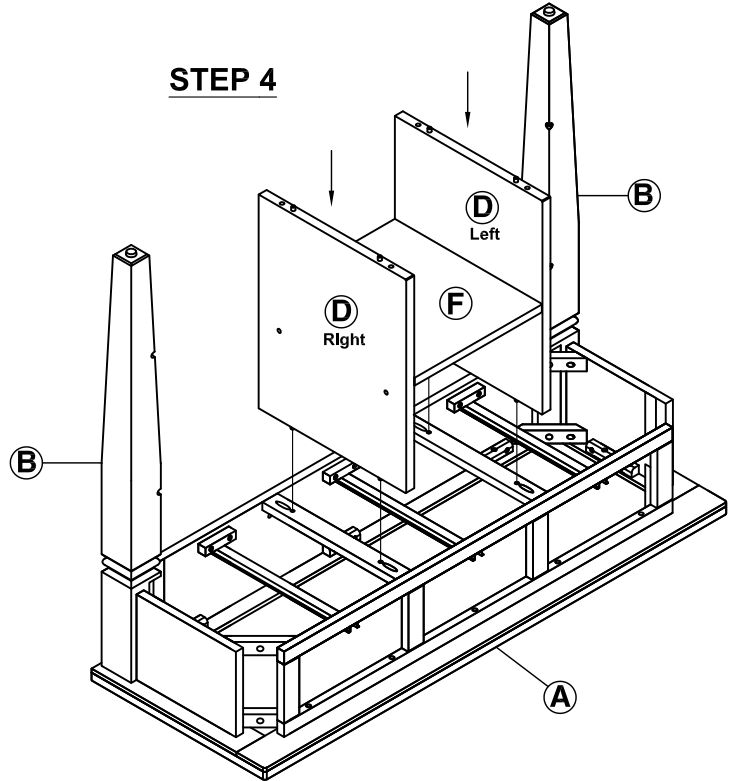
GRVE 9353-SB SIDEBOARD SKU# 42893532

Thank you for purchasing this quality product. Be sure to check all packing material carefully for small parts which may have come loose inside the carton during shipment. Identify and count all parts and compare with part list below.

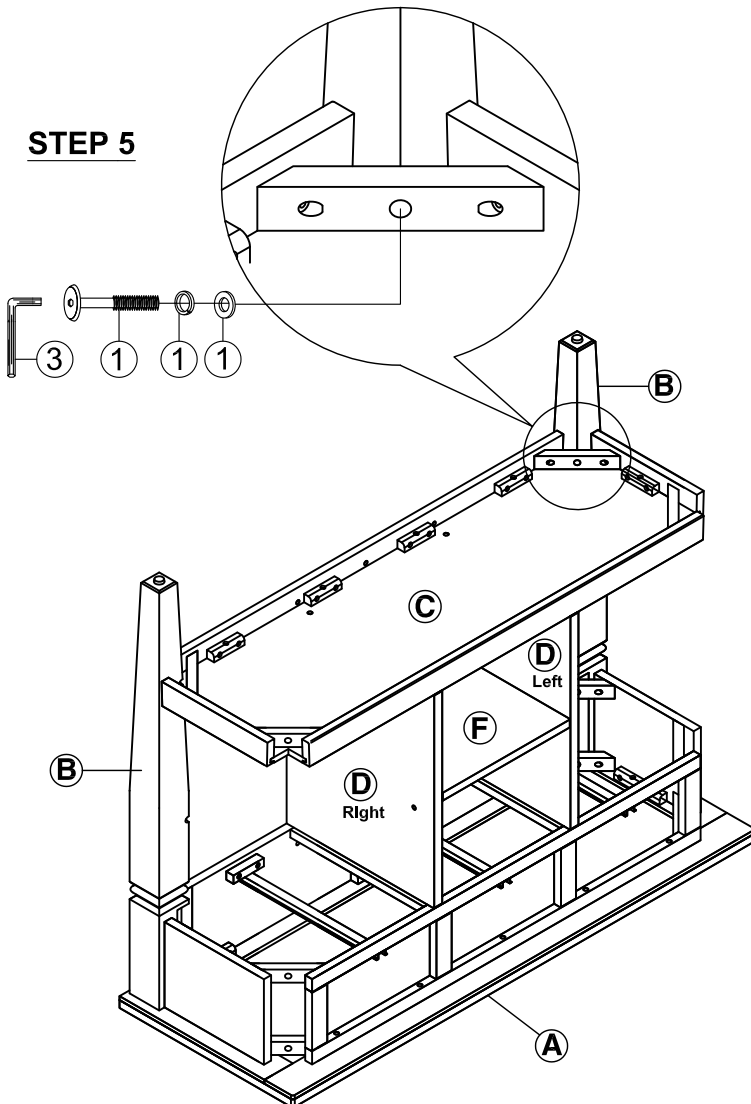
## STEP 3



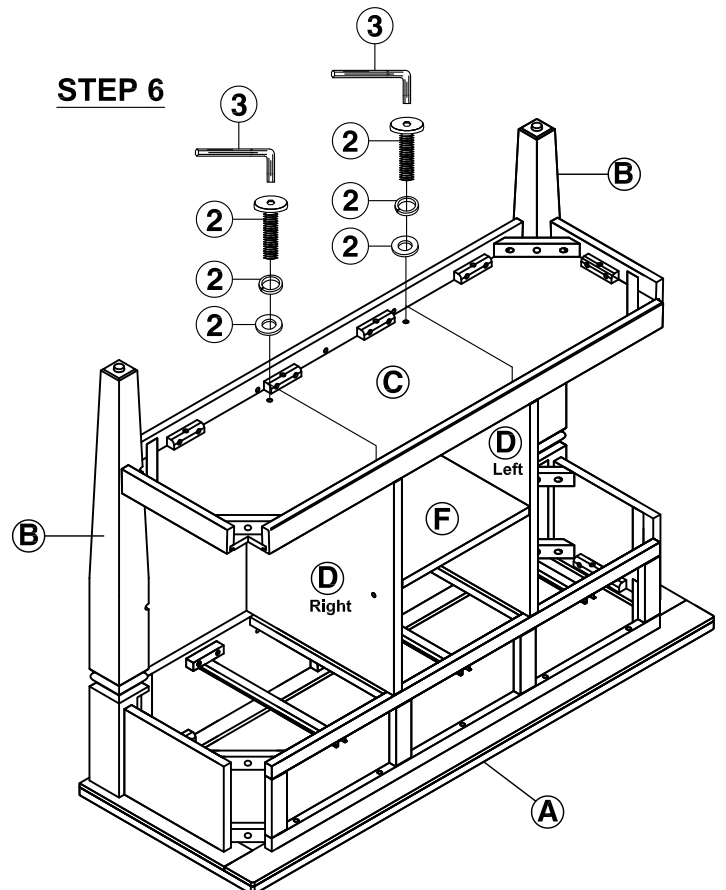
## STEP 4



## STEP 5



## STEP 6





Manufactured by GRVE for Rooms To Go

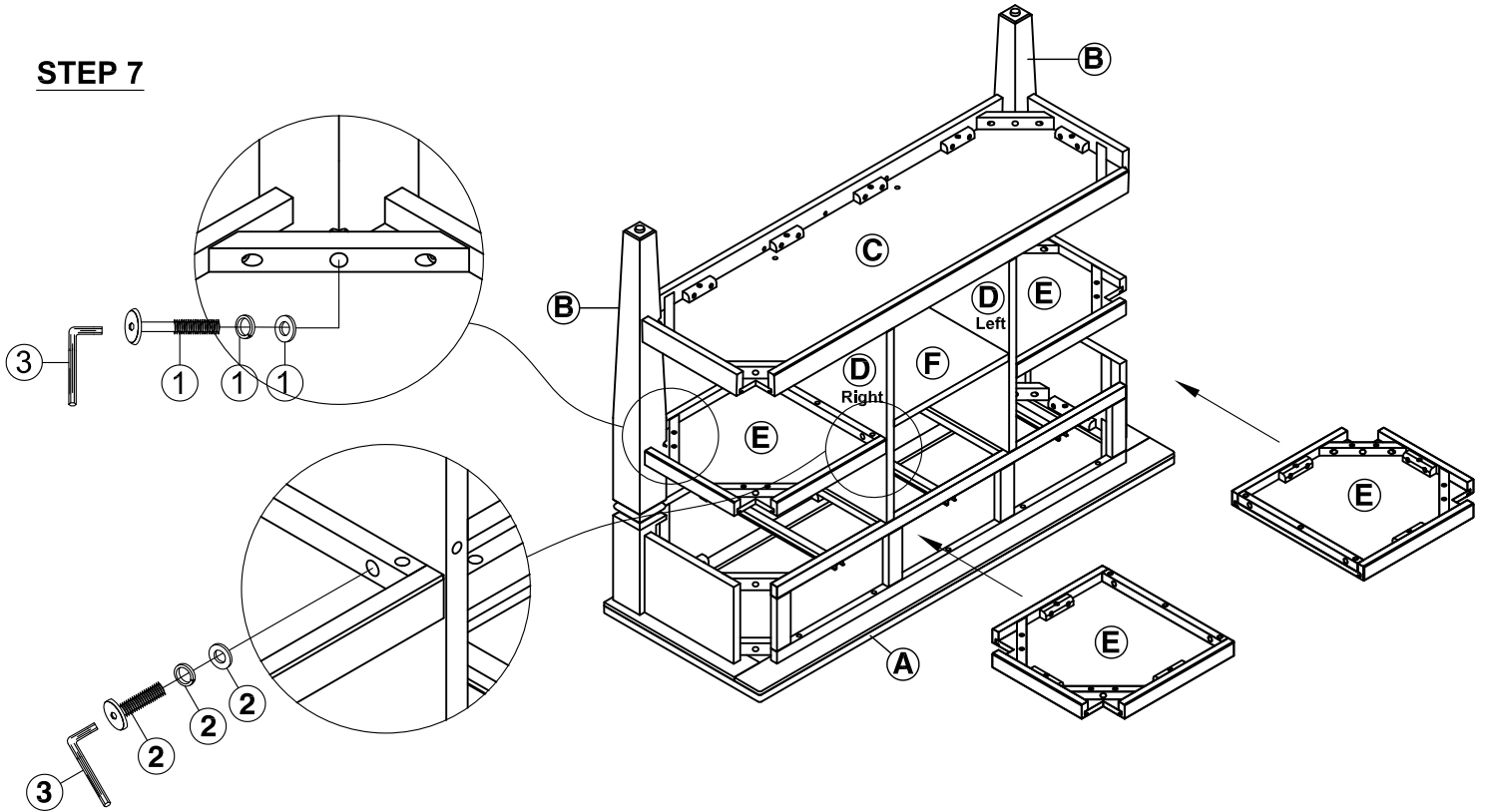
# ASSEMBLY INSTRUCTIONS

GRVE 9350-SB SIDEBOARD SKU# 42893506

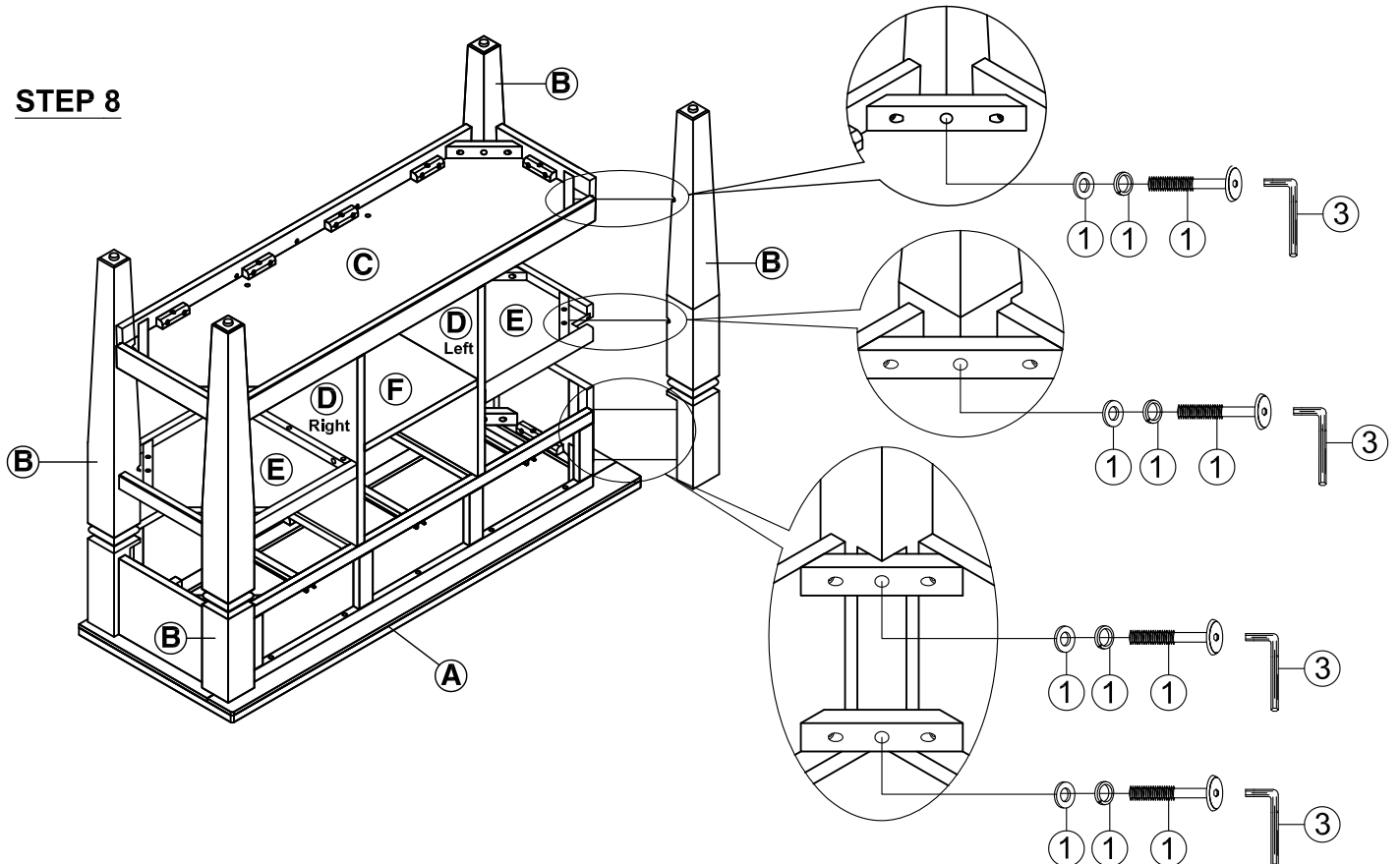
GRVE 9353-SB SIDEBOARD SKU# 42893532

Thank you for purchasing this quality product. Be sure to check all packing material carefully for small parts which may have come loose inside the carton during shipment. Identify and count all parts and compare with part list below.

## STEP 7

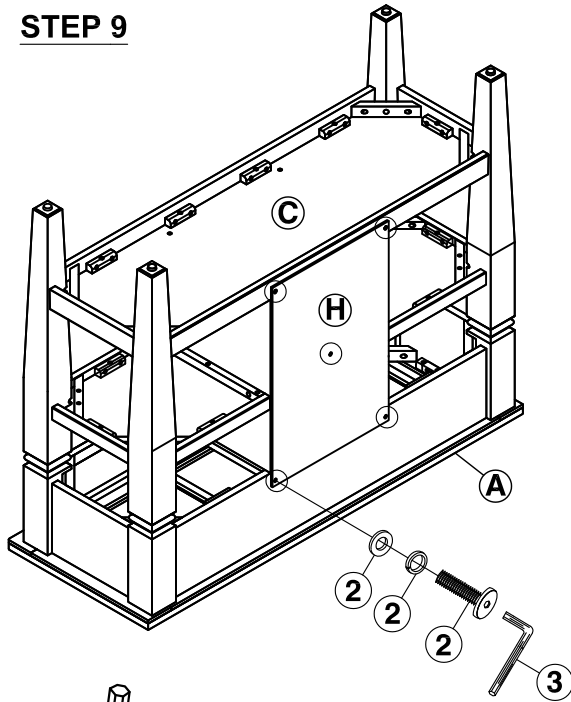


## STEP 8

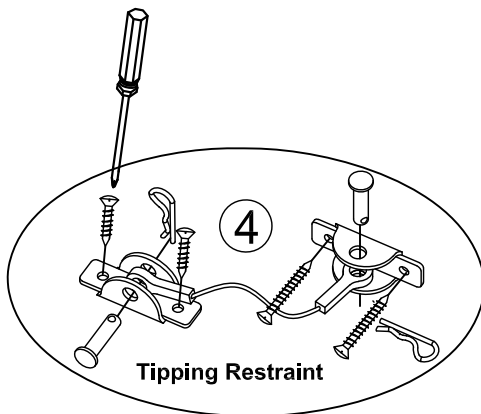
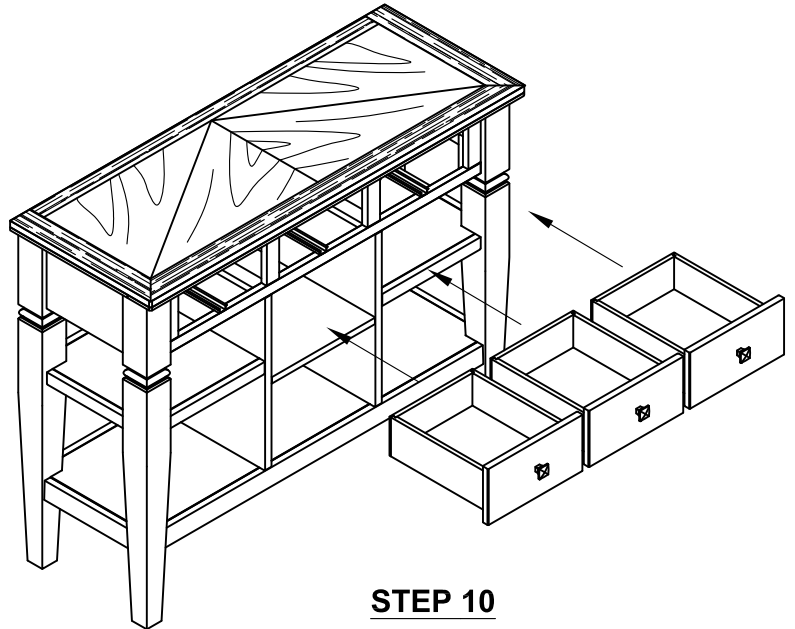


Thank you for purchasing this quality product. Be sure to check all packing material carefully for small parts which may have come loose inside the carton during shipment. Identify and count all parts and compare with part list below.

## STEP 9



## STEP 10



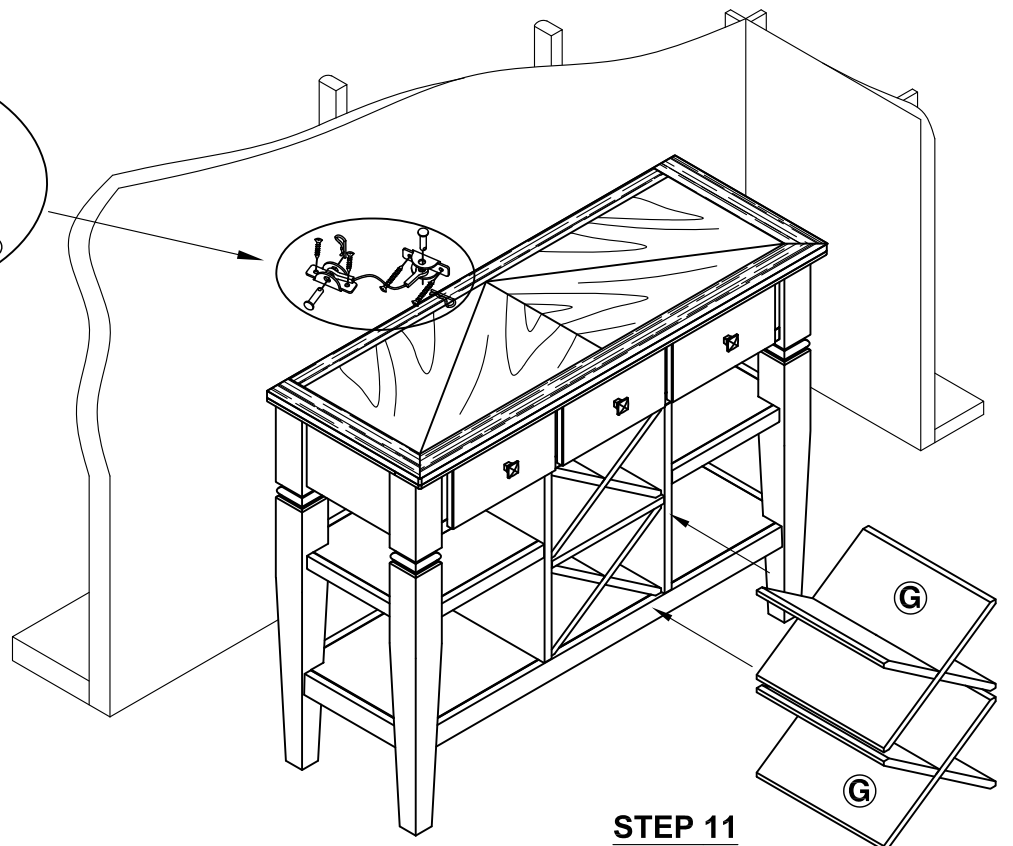
Tipping Restraint

Notes : Anti-Tip hardware - customer assembly required

### NOTE

Tipping restraint hardware is included with this product. Refer to installation instruction in the hardware pack.

## STEP 12



## STEP 11