











ASSEMBLY INSTRUCTIONS

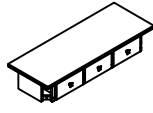
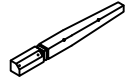
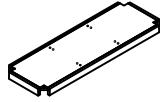

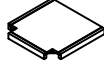
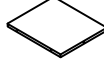

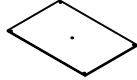
Manufactured by GRVE for Rooms To Go

GRVE 9354-SB SIDEBOARD SKU# 42893544

GRVE 9356-SB SIDEBOARD SKU# 42893568

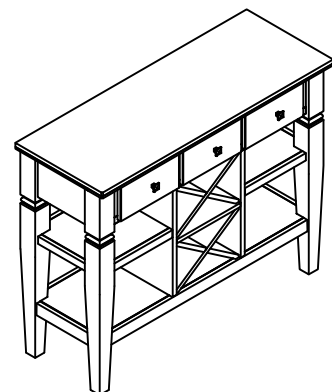
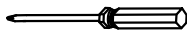
Thank you for purchasing this quality product. Be sure to check all packing material carefully for small parts which may have come loose inside the carton during shipment. Identify and count all parts and compare with part list below.

HARDWARE LIST		Q'TY
1	Long Bolt φ1/4"-20 x 2-1/2"	 16pcs
	Spring Washer φ5/16" x1/2"	 16pcs
	Flat Washer φ5/16" x3/4"	 16pcs
2	Short Bolt φ1/4"-20 x 1-1/8"	 13pcs
	Spring Washer φ5/16" x1/2"	 13pcs
	Flat Washer φ5/16" x3/4"	 13pcs
3	Allen Key 5/32"	 1pc
4	Anti-Tipping Hardware (customer assembly required)	 1Set

PART LIST		QTY'
A	Server	 1pc
B	Legs	 4pcs
C	Bottom Shelf	 1pc
D	Center Panel (left-right)	 2pcs
E	Shelf	 2pcs
F	Shelf (center)	 1pc
G	Wine Shelf	 4pcs
H	Back Rail	 1pc

TOOLS REQUIRED (NOT PROVIDED)

Phillips Screwdriver



ASSEMBLY COMPLETED

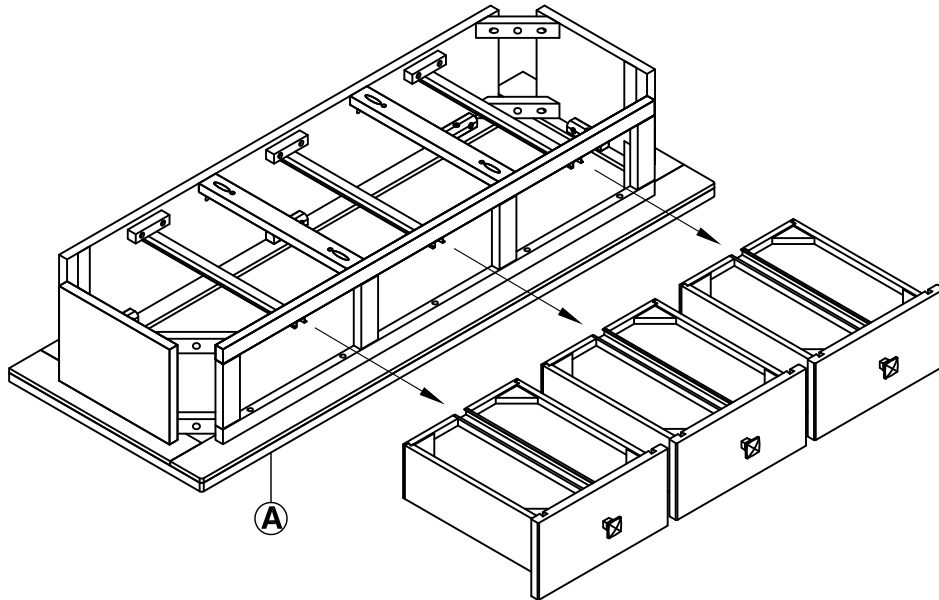
Hardware Pack Location(S): Underneath Server bottom

SIDEBOARD SKU# 42893544

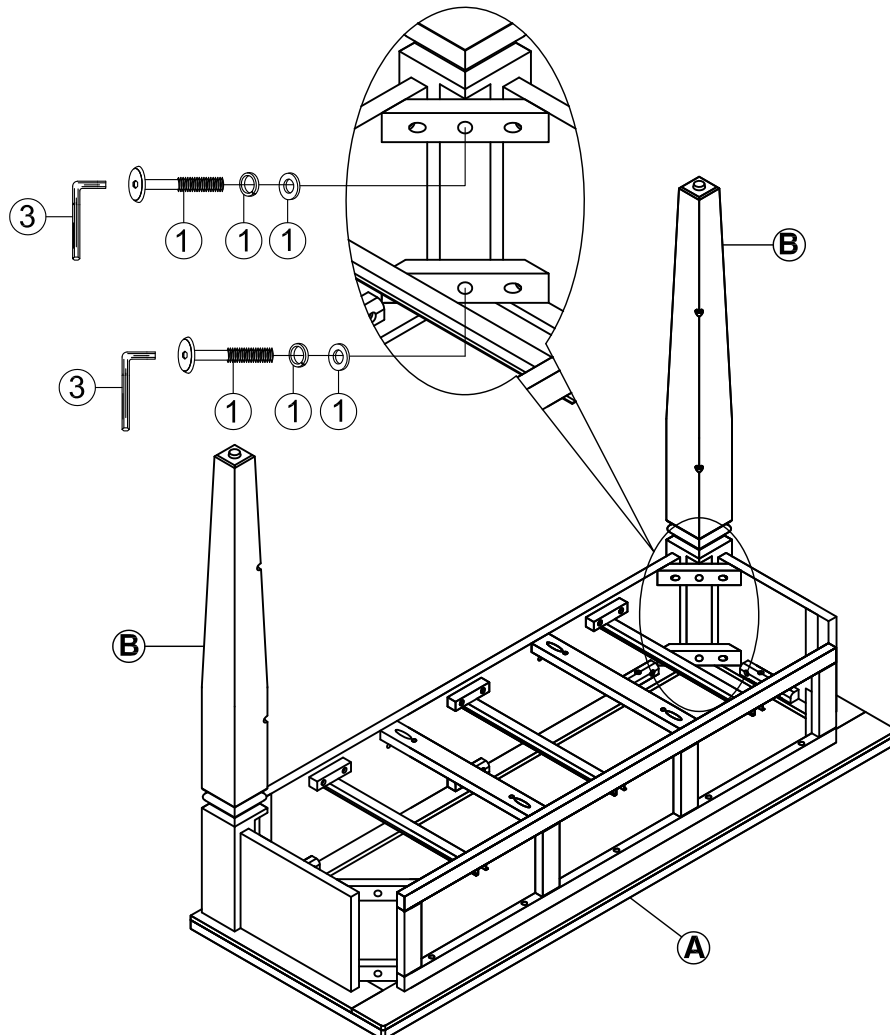
SIDEBOARD SKU# 42893568

Thank you for purchasing this quality product. Be sure to check all packing material carefully for small parts which may have come loose inside the carton during shipment. Identify and count all parts and compare with part list below.

STEP 1



STEP 2





Manufactured by GRVE for Rooms To Go

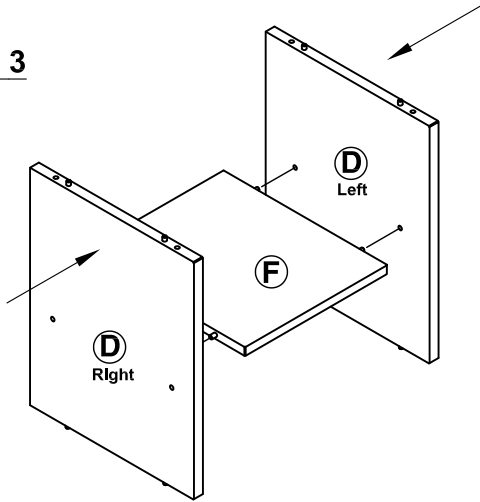
ASSEMBLY INSTRUCTIONS

GRVE 9354-SB SIDEBORD SKU# 42893544

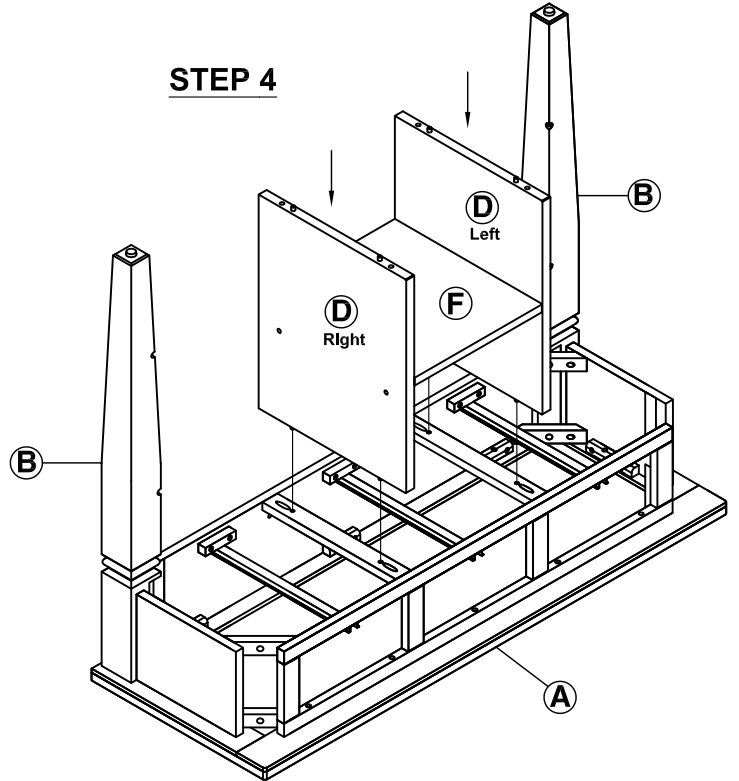
GRVE 9356-SB SIDEBORD SKU# 42893568

Thank you for purchasing this quality product. Be sure to check all packing material carefully for small parts which may have come loose inside the carton during shipment. Identify and count all parts and compare with part list below.

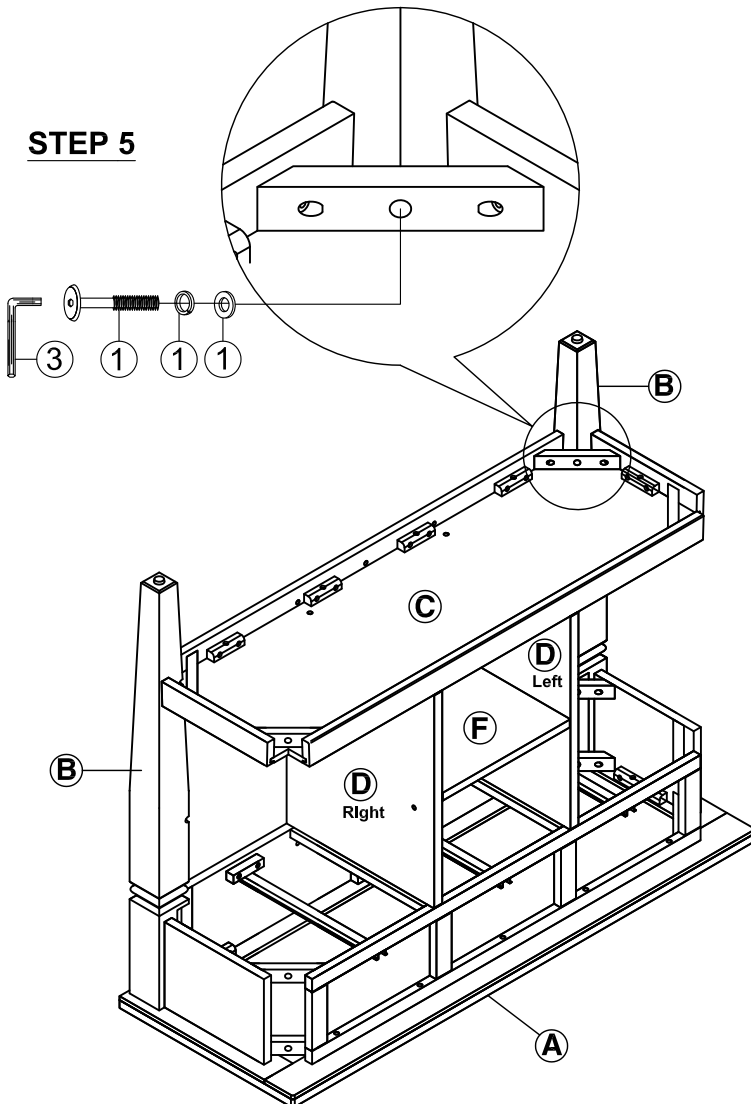
STEP 3



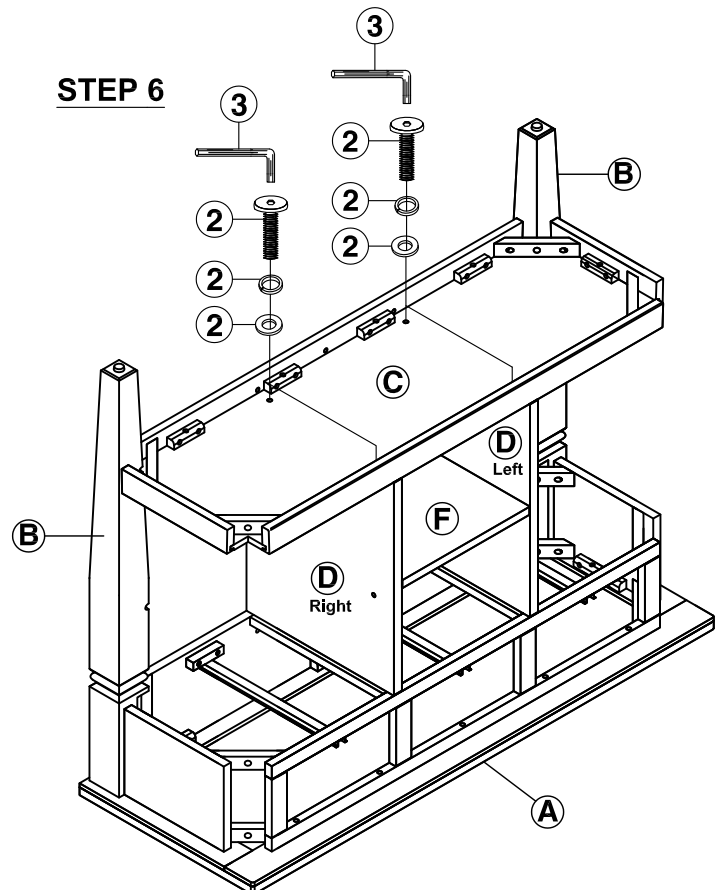
STEP 4



STEP 5



STEP 6





Manufactured by GRVE for Rooms To Go

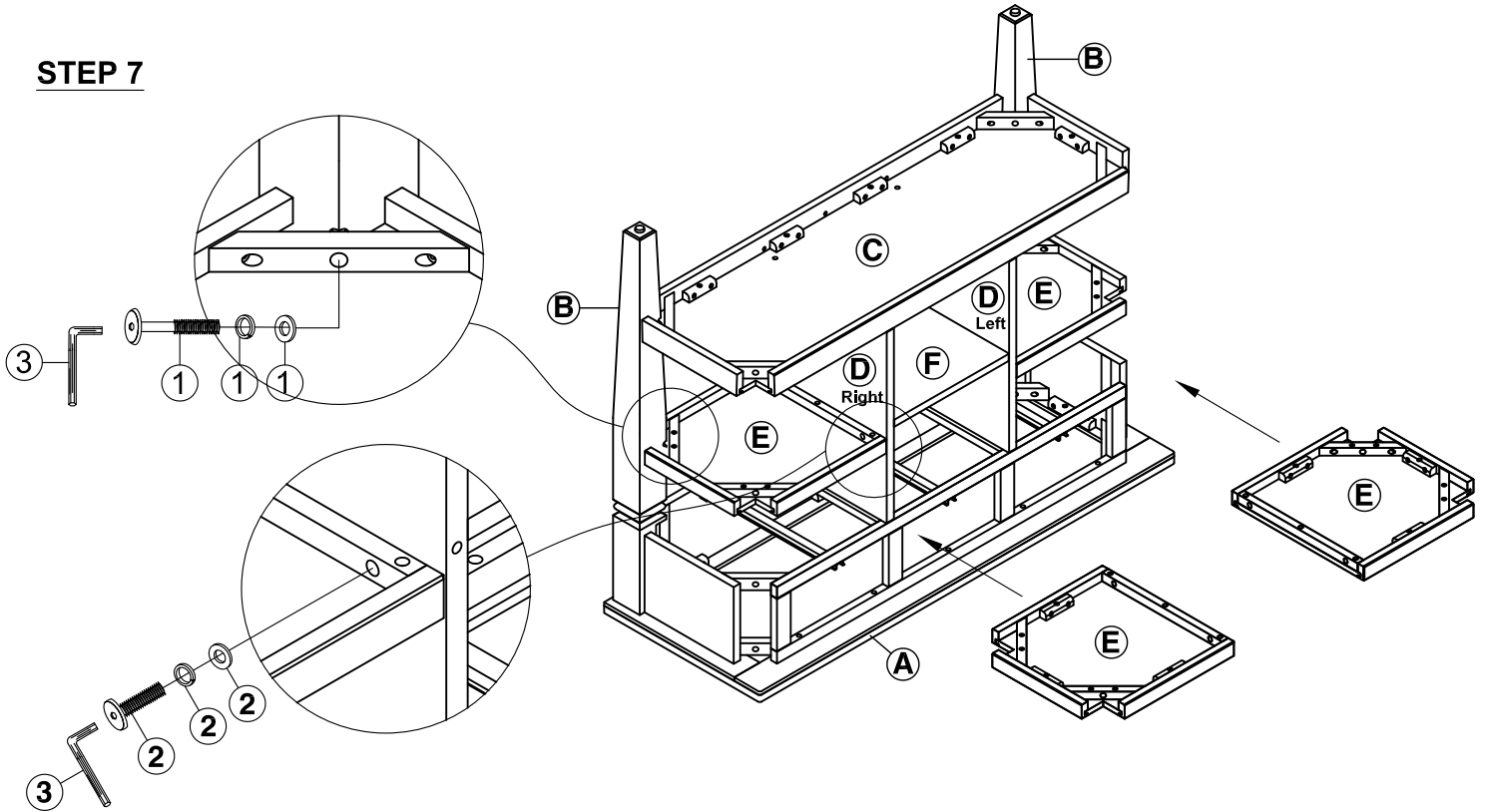
ASSEMBLY INSTRUCTIONS

GRVE 9354-SB SIDEBORD SKU# 42893544

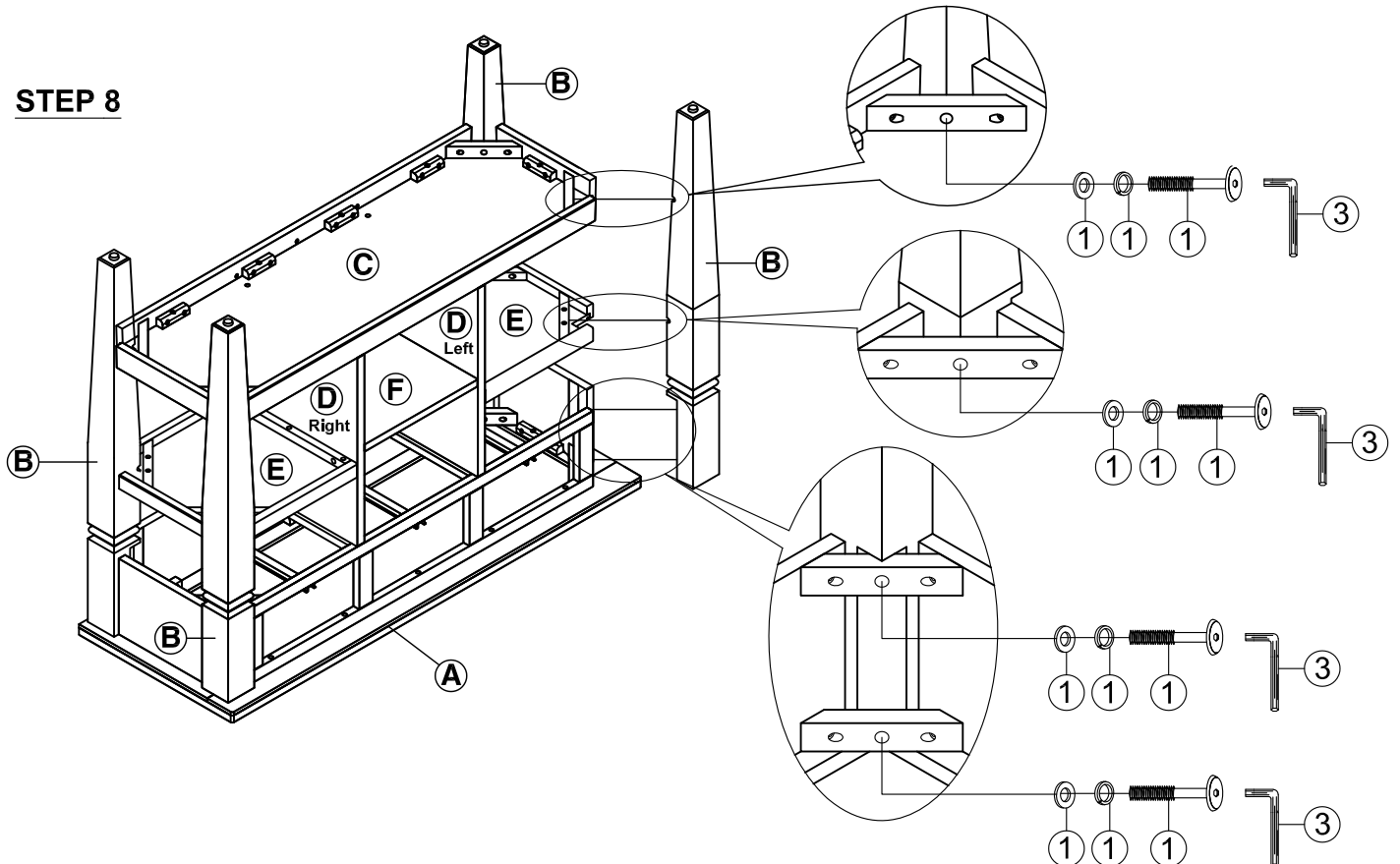
GRVE 9356-SB SIDEBORD SKU# 42893568

Thank you for purchasing this quality product. Be sure to check all packing material carefully for small parts which may have come loose inside the carton during shipment. Identify and count all parts and compare with part list below.

STEP 7

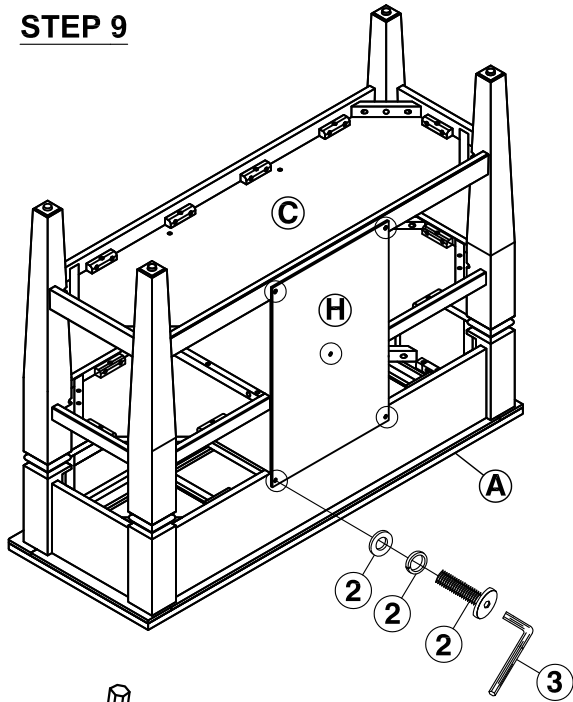


STEP 8

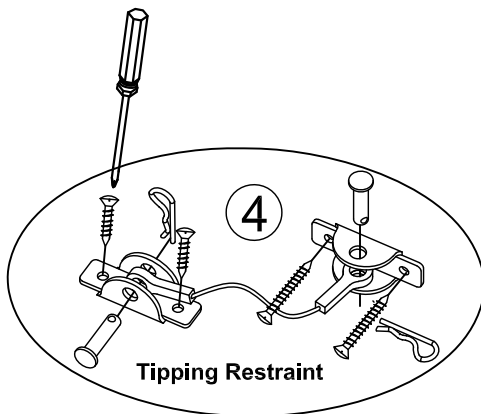
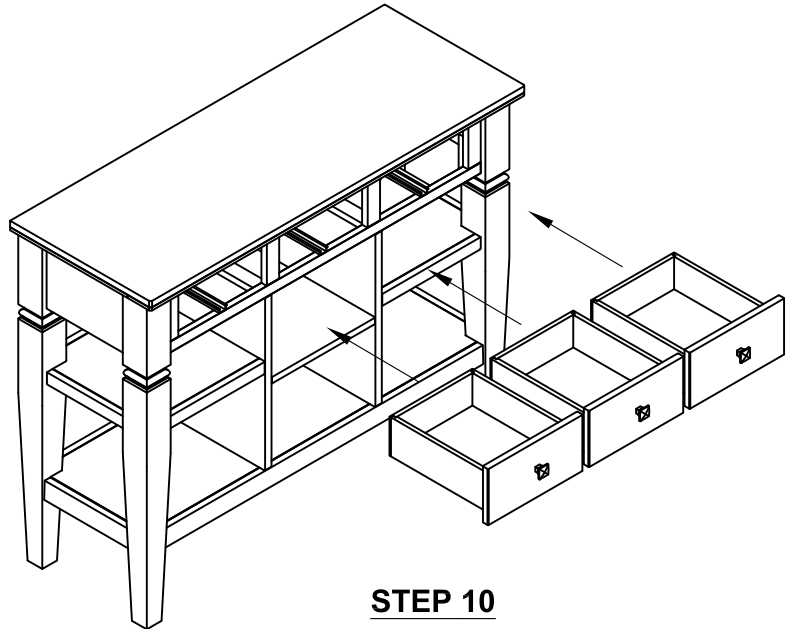


Thank you for purchasing this quality product. Be sure to check all packing material carefully for small parts which may have come loose inside the carton during shipment. Identify and count all parts and compare with part list below.

STEP 9



STEP 10



Tipping Restraint

Notes : Anti-Tip hardware - customer assembly required

STEP 12

NOTE
Tipping restraint hardware is included with this product. Refer to installation instruction in the hardware pack.

STEP 11

