



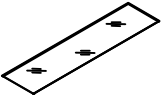
ASSEMBLY INSTRUCTION




JSFC

727 / 728-7 SERVER

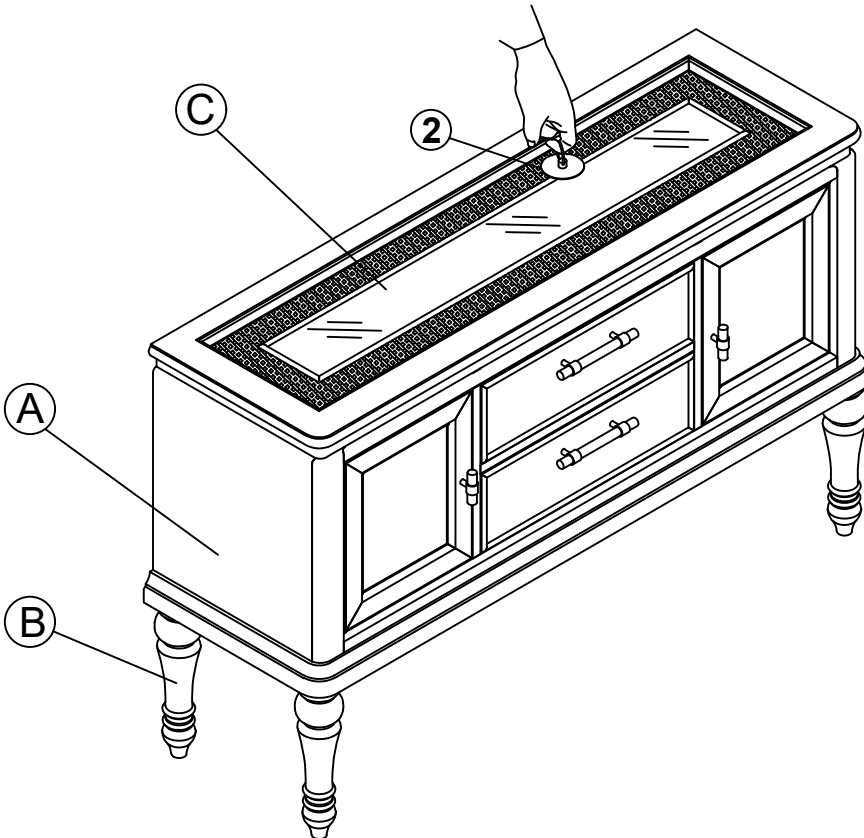
SKU 42907278 / 42907280

Thank you for purchasing this quality product. Be sure to check all packing materials carefully for small parts which may have come loose inside the carton during shipment. Identify and count all parts and compare with the parts list below.

COMPONENT LIST			
NO.	Description	Sketch	Q'TY
A	Top Cabinet		1pc
B	Leg		4pcs
C	Glass Insert		1pc

HARDWARE LIST				
NO.	Picture	Description	Dimension	Q'TY
1		Tipping Restraint		1 Set
2		Glass Suction Lifter		1 pc
3		Tool Required(not provided)		

Use glass suction lifter to lift or put glass panel on the top of server.



Children have died from furniture tipover. To reduce the risk of furniture tipover:

- ALWAYS install tipover restraint provided.
- NEVER put a TV on this product.
- NEVER allow children to stand, climb or hang on drawers, doors, or shelves.
- NEVER open more than one drawer at a time.
- Place heaviest items in the lowest drawers.

Hardware pack locations

727 / 728 - 7 SERVER, SKU# 42907278 / 42907280

PARTS DETAILS

This product is manufactured by JSFC for

ROOMS TO GO 

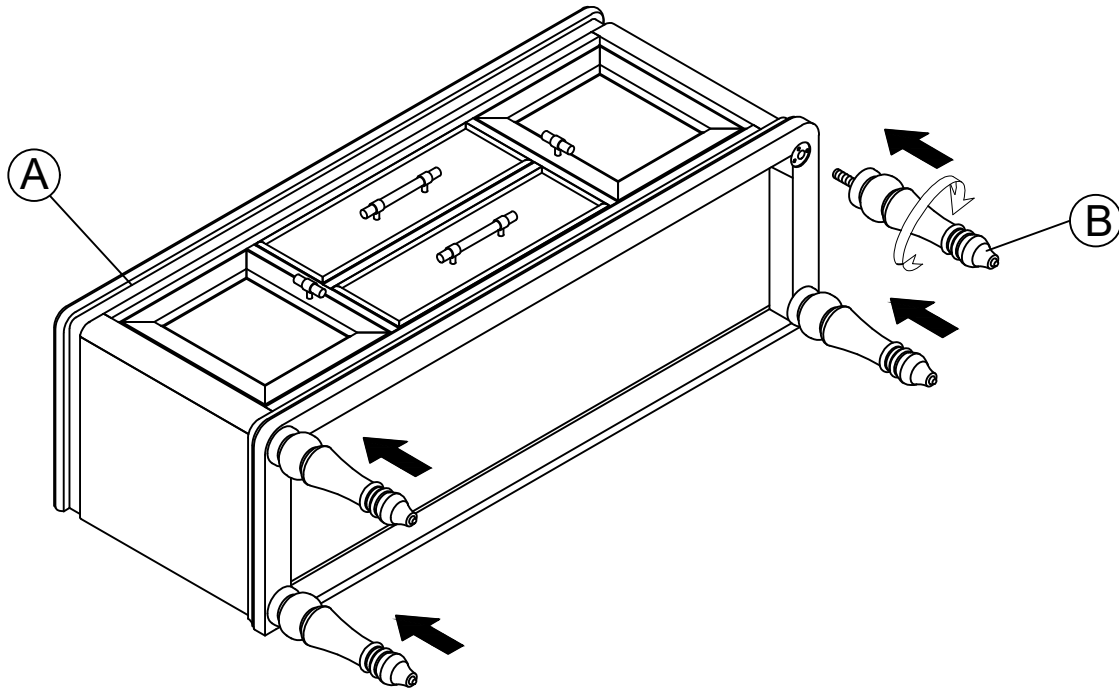
ASSEMBLY INSTRUCTION

JSFC

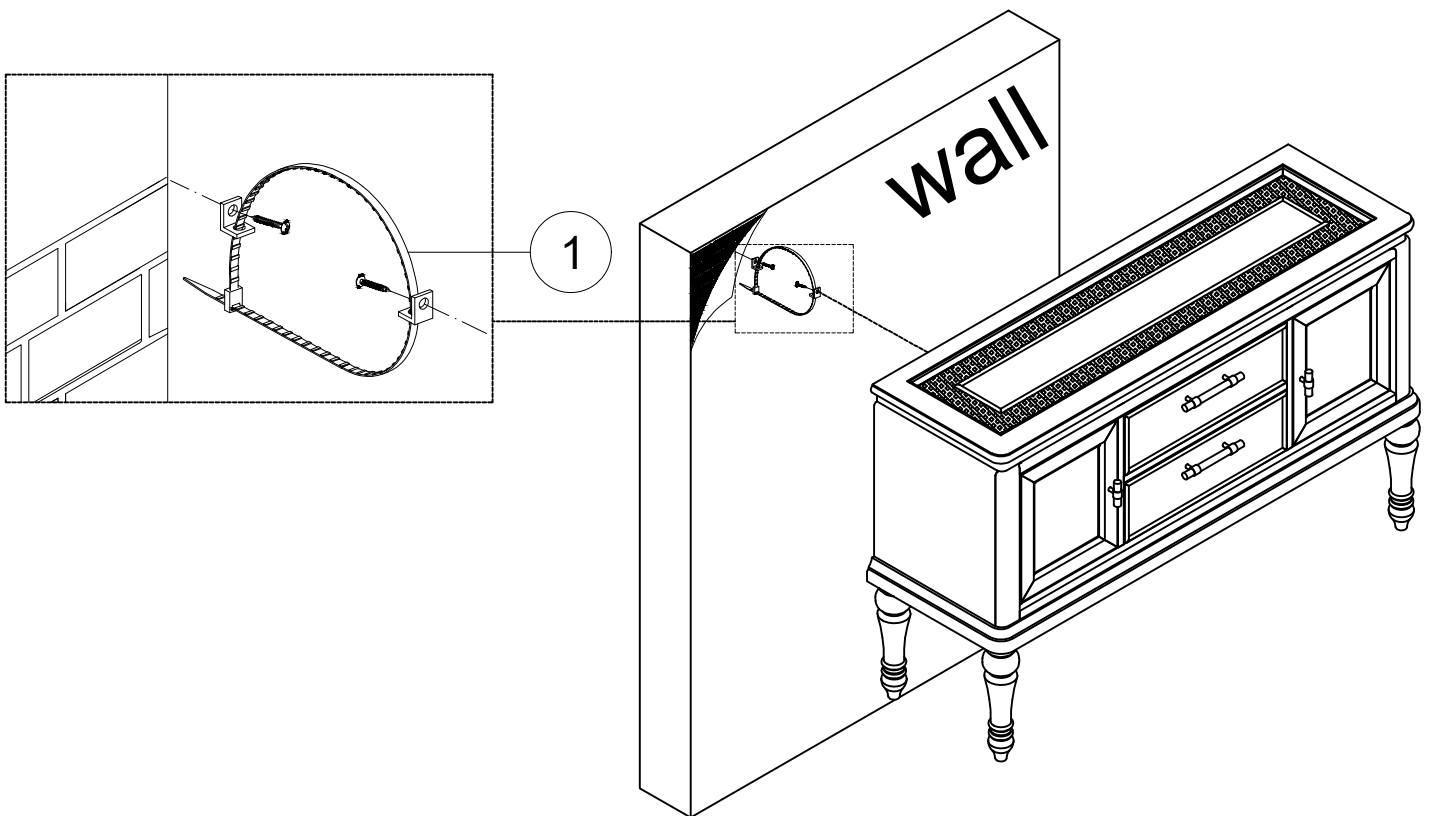
727 / 728-7 SERVER

SKU 42907278 / 42907280

STEP 1: Assemble the Legs (B) to the Top Cabinet (A) by turning the legs.



STEP 2: Turn over the Server, attached the Tipping Restraint (1) to the wall.



This product is manufactured by JSFC for **ROOMS TO GO®** ▶

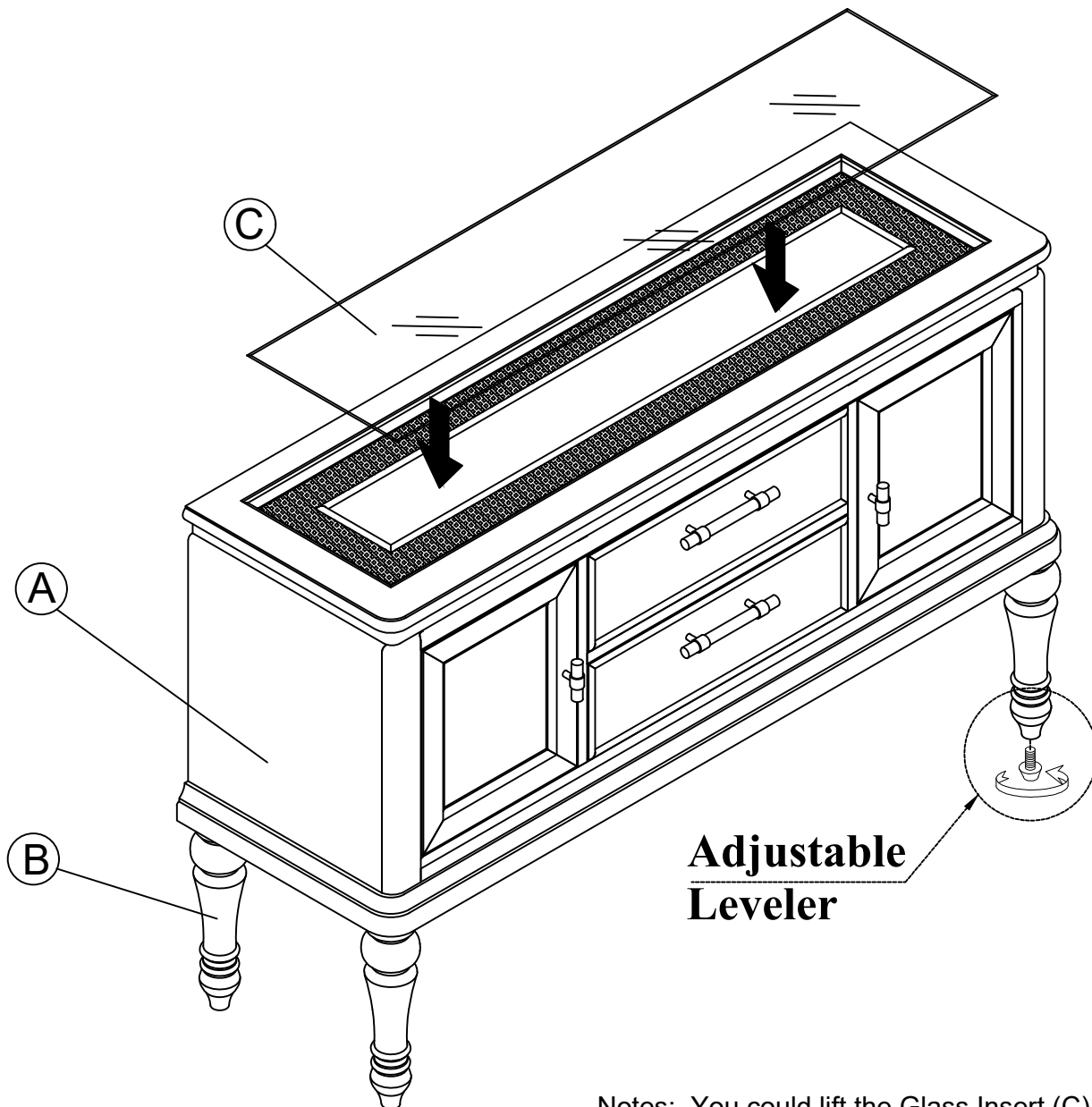
ASSEMBLY INSTRUCTION

JSFC

727 / 728-7 SERVER

SKU 42907278 / 42907280

STEP 3 : Put the Glass Insert (C) on the Top (A) aligning with the frame.



Notes: You could lift the Glass Insert (C) by using the Glass Suction Lifter (3) if needed.