

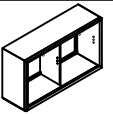






LFST

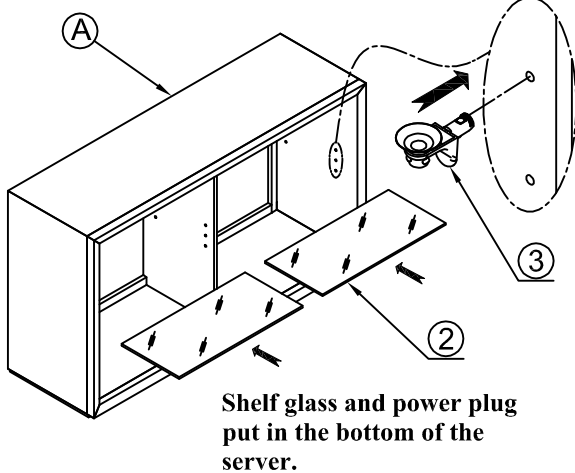
ASSEMBLY INSTRUCTIONS ITEM NO: C1137D-DVX SERVER

SKU#42911378

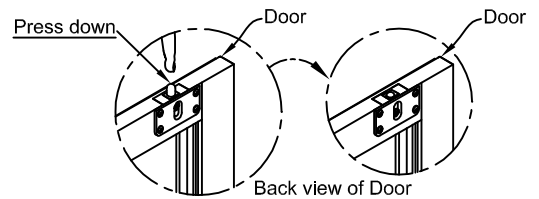
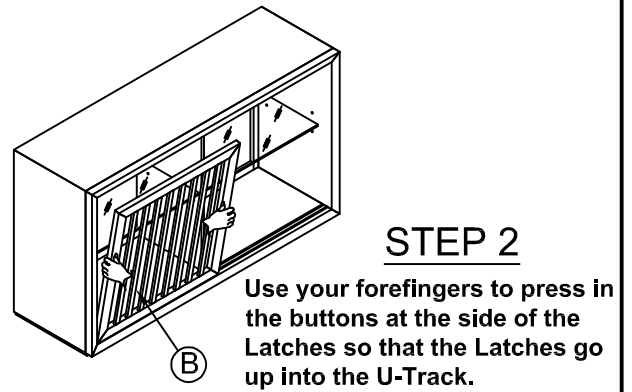
Thank you for purchasing this quality product. Be sure to check all packing material carefully for small parts that may have come loose inside the carton during shipment.

TOOLS REQUIRED (NOT PROVIDED)		HARDWARE LISTS					
PHILLIPS SCREWDRIVER 		NO.	DESCRIPTION	SKETCH	SIZE	Q'TY	
PART LISTS		1	TIPPING RESTRAINT			1 set	
NO.	DESCRIPTION	SKETCH	Q'TY				
A	SEVER		1 pc				
B	DOOR		2 pcs				
				2	SHELF GLASS	 734*375*8mm	2 pcs
				3	PEG SHELF	 26*18*11mm	8 pcs
				4	POWER PLUG		1 set

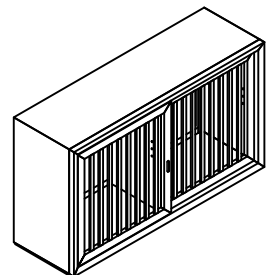
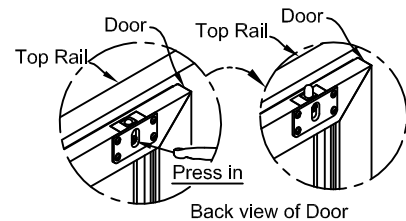
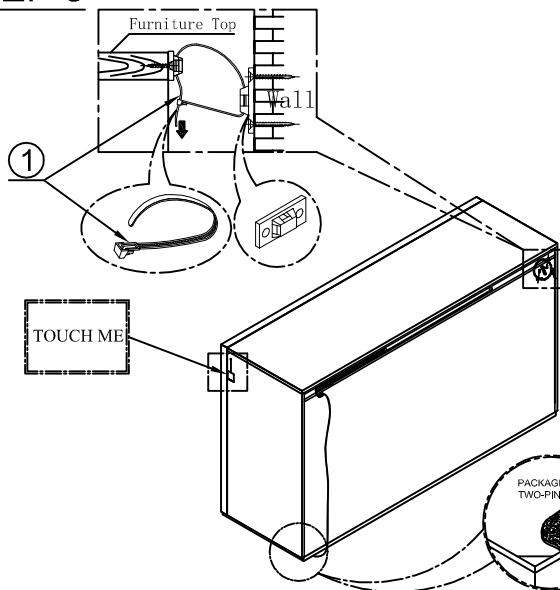
STEP 1



STEP 2



STEP 3



Assembly completed
MADE IN VIET NAM