


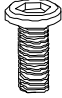
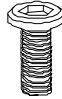

ASSEMBLY INSTRUCTION

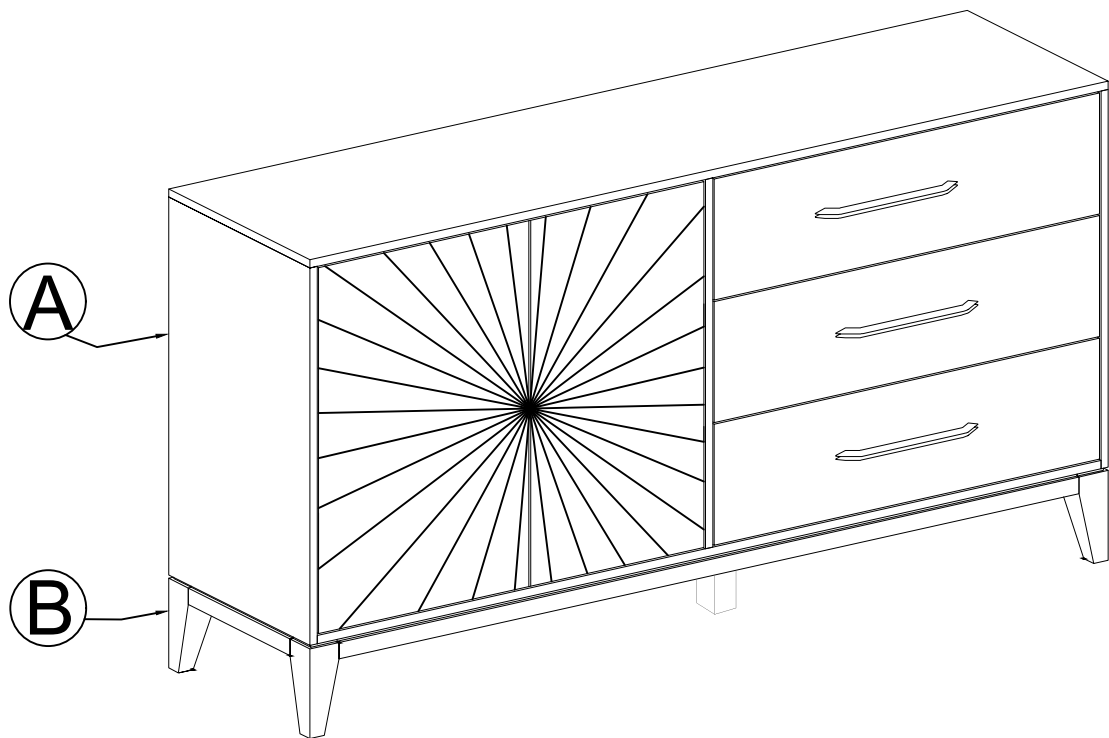
GBHS

1708-1709 - SERVER

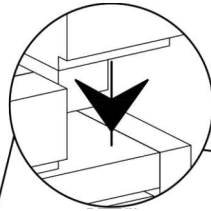
SKU# 42917089

THANK YOU FOR PURCHASING THIS QUALITY PRODUCT. BE SURE TO CHECK ALL PACKING MATERIAL CAREFULLY FOR SMALL PARTS. WHICH MAY HAVE COME LOOSE INSIDE THE CARTON DURING SHIPMENT. IDENTIFY AND COUNT ALL PARTS AND COMPARE WITH THE HARDWARE LIST BELOW.

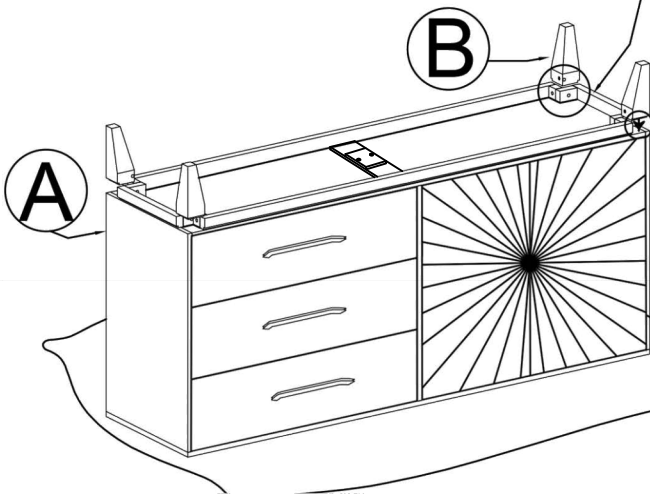
HARDWARE LIST	NO	PICTURE	DESCRIPTION	DIMENSION	QTY.
	1		WASHER	6 x 8mm	8 PCS
	2		ALLEN BOLT	6 x 40mm (Thread count - 38)	8 PCS
	3		ALLEN BOLT	6 x 25mm (Thread count - 23)	2 PCS
	4		ALLEN KEY		1 PC
PARTS LIST	NO		DESCRIPTION		QTY.
	A		SIDEBOARD		1 PC
	B		LEG		4 PCS
	C		SUPPORT LEG		1 PC



STEP-1

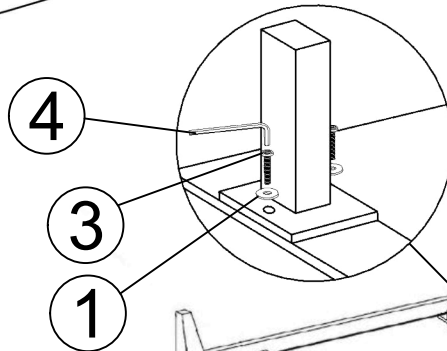


ASSEMBLE LEG TO THE SIDEBOARD.

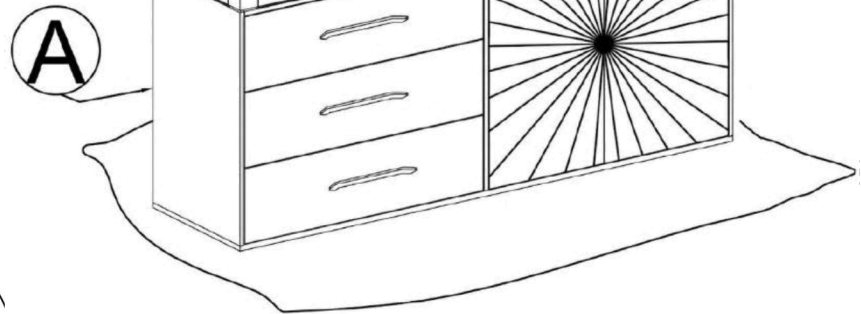


-PLACE SIDEBOARD ON A CLEAN AND SMOOTH SURFACE SUCH AS A RUG OR CARPET TO AVOID THE SIDEBOARD SURFACE FROM BEING SCRATCHED ASSEMBLE (C) WITH BASE (B)

STEP-2



ASSEMBLE LEG IN THE POSITION



STEP-2

