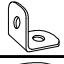


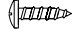
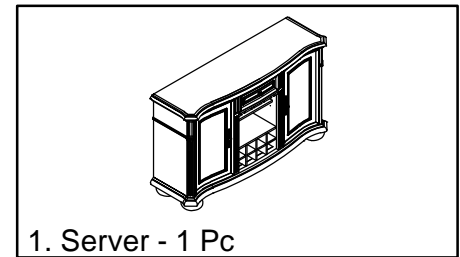


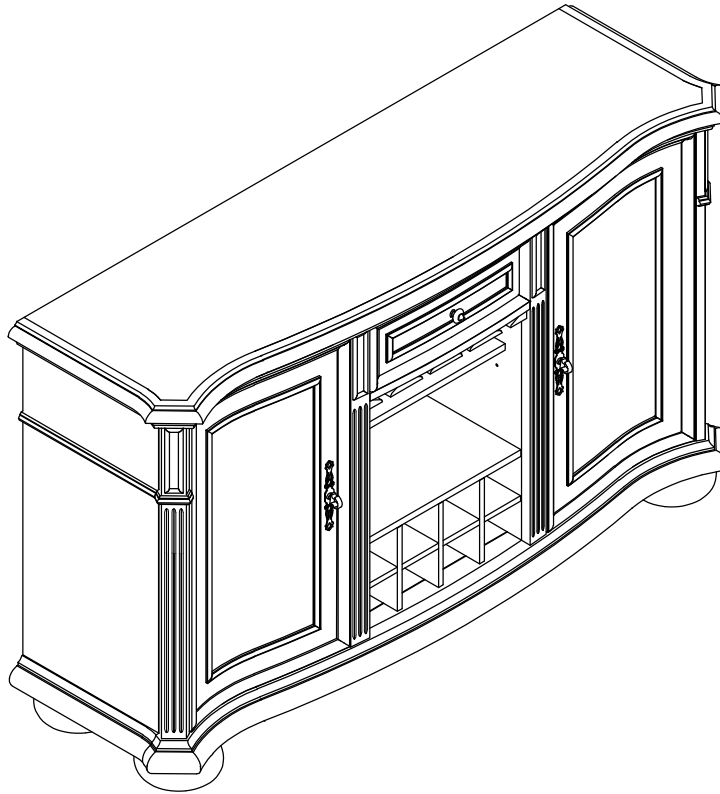
**This product is manufactured by PNWD for Rooms To Go**

**PARTS LIST**

Step	Code	Anti-tipping Hardware	Q'TY
4	A	L Bracket 	2
	B	Strap 	1
	C	Long Screw 5/32" x 2" 	1
	D	Short Screw 5/32" x 5/8" 	1



Tool Required: Phillips screwdriver  
(not provided)



**HARDWARE PACK LOCATION(S):**

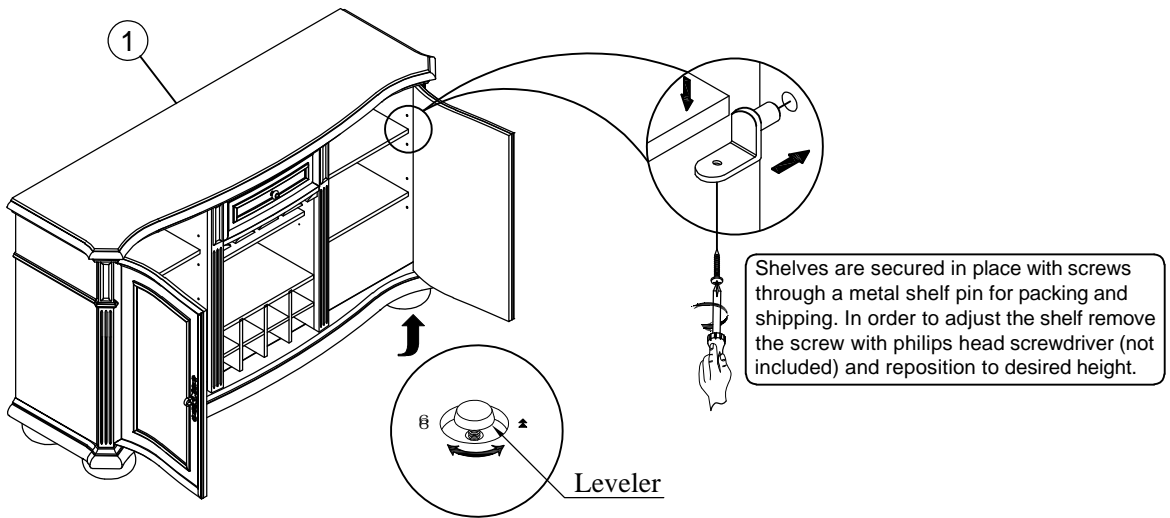
PNWD 1733- SVC SERVER

SKU# 42917332

**This product is manufactured by PNWD for Rooms To Go**

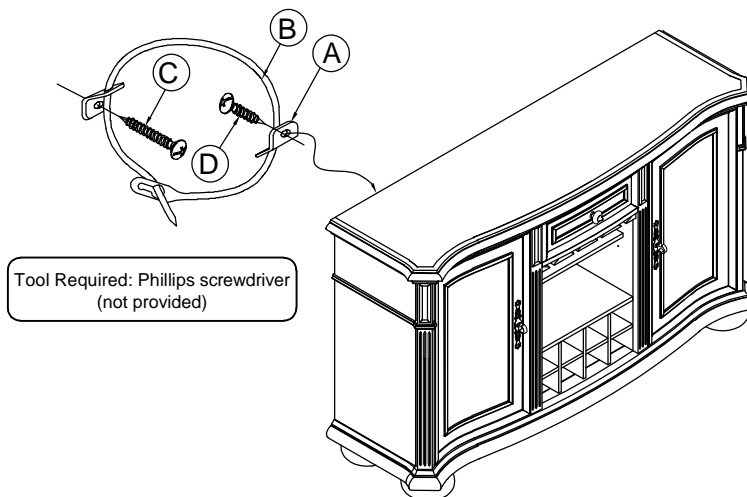
\*\*\*Cautions: Please read all instructions carefully before starting the assembly process. These parts are cumbersome and heavy. Therefore, two people are recommended in order to prevent personal injury and ensure the parts are not damaged during the assembly.

**STEP 1:**



Turn server to the upright position. Apply firm pressure to align Leveler.

**STEP 2:**



There is a tip restraint kit provided on the back of the drawer front. Please read the instruction thoroughly and install immediately when placed at home.