


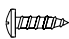
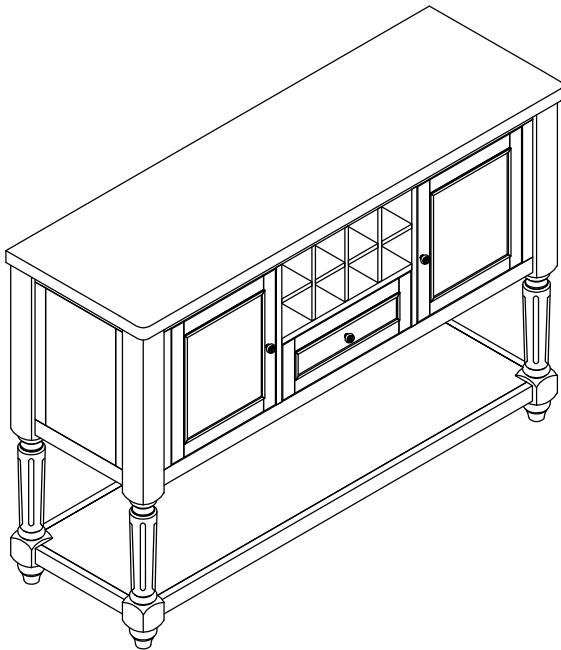
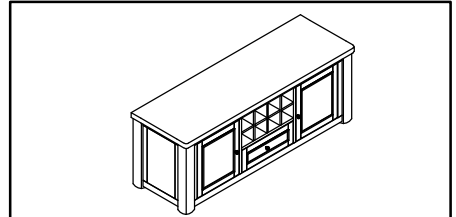


Step	Code	Anti-tipping Hardware	Q'TY
4	A	L Bracket 	2
	B	Strap 	1
	C	Long Screw 5/32" x 2" 	1
	D	Short Screw 5/32" x 5/8" 	1



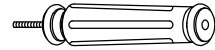
PARTS LIST



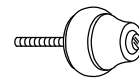
1. Sideboard Body - 1 Pc



2. Shelf - 1 Pc



3. Upper Leg - 4 Pcs



4. Lower Leg - 4 Pcs

HARDWARE PACK LOCATION(S):

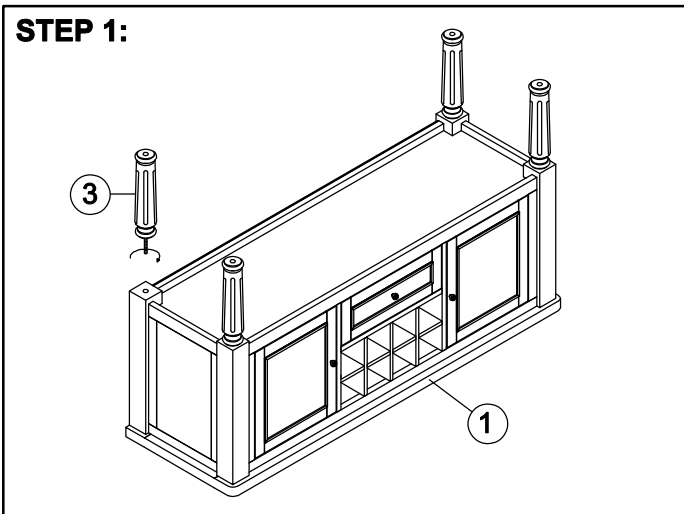
PNWD

2290-SB SIDE BOARD

SKU# 42922903

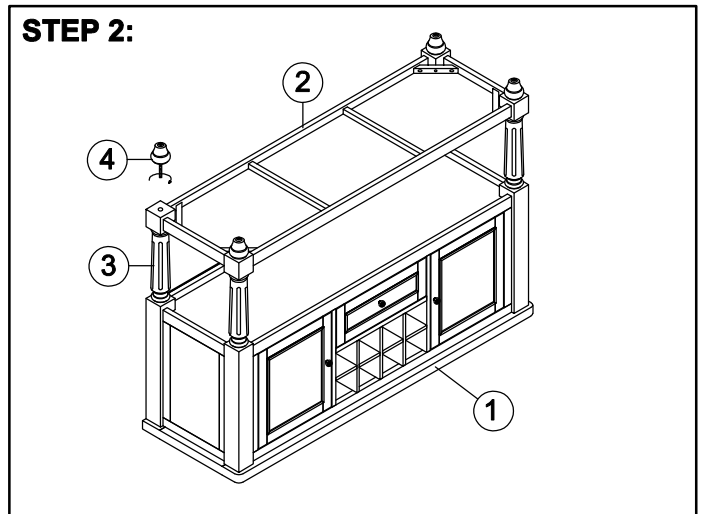
***Cautions: Please read all instructions carefully before starting the assembly process. These parts are cumbersome and heavy. Therefore, two people are recommended in order to prevent personal injury and insure the parts are not damaged during the assembly.

STEP 1:



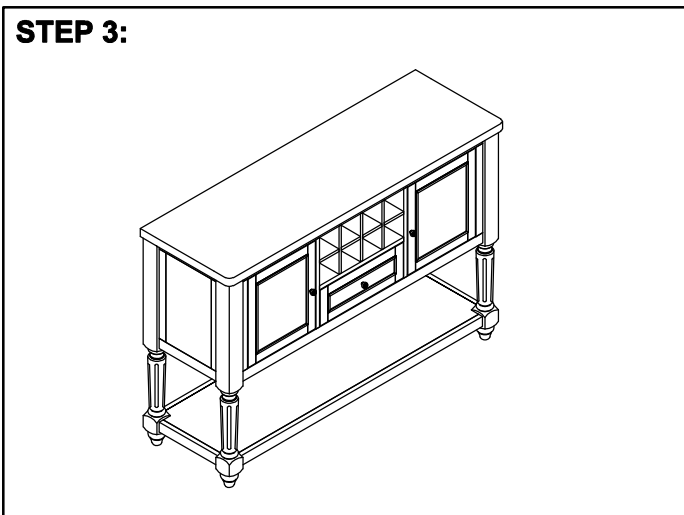
Attach the upper legs to the sideboard body.
Note: Do not tighten all bolts until the next step.

STEP 2:



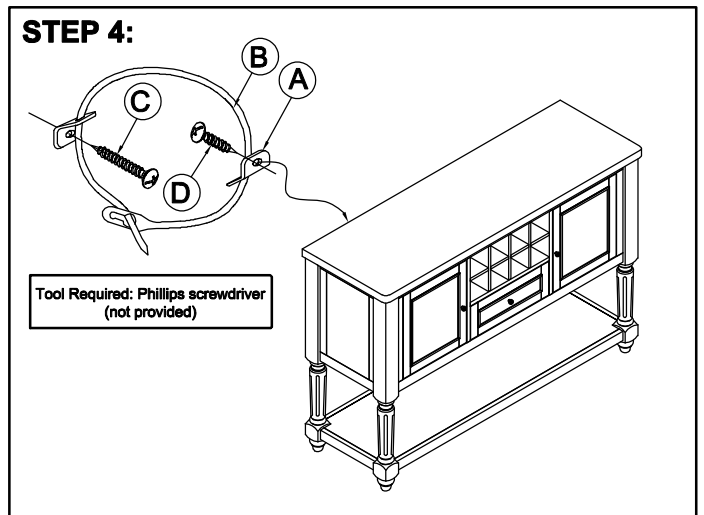
Attach the shelf and lower legs to the upper legs. Secure the corners of the shelf.

STEP 3:



Turn sideboard to the upright position. Apply firm pressure to align and tighten all bolts.

STEP 4:



There is a tip restraint kit provided on the back of the drawer front. Please read the instruction thoroughly and install immediately when placed at home.