



ASSEMBLY INSTRUCTIONS

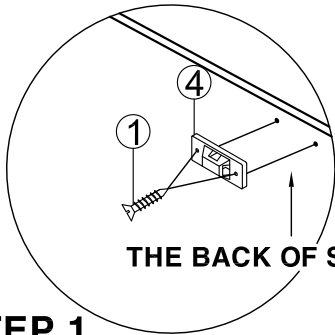
DESCRIPTION : Server

ITEM NO : 210-SB1

SKU: 42927105

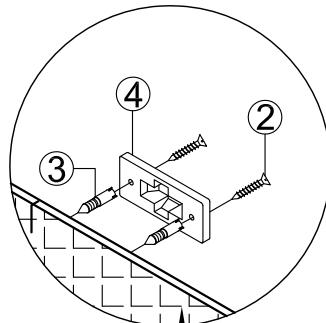
Thank you for purchasing this quality product . Be sure to check all packing material carefully for small parts which may have come loose inside the carton during shipment . Identify and count all parts and compare with the parts list below .

TO INSTALL THE SAFETY WALL STRAP



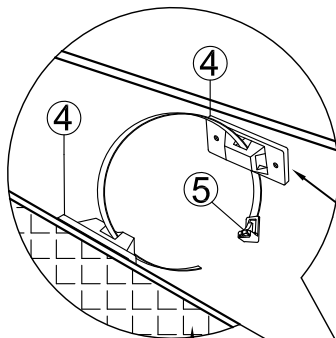
THE BACK OF SERVER

STEP 1



WALL

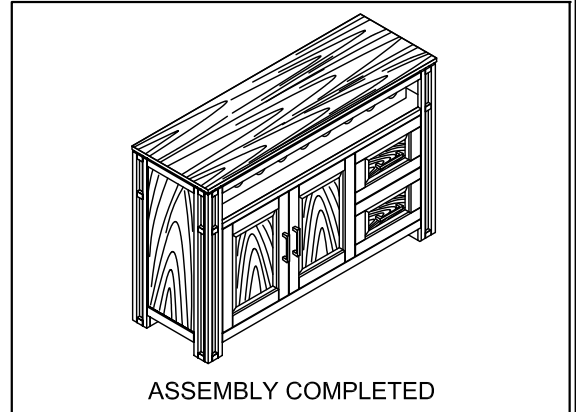
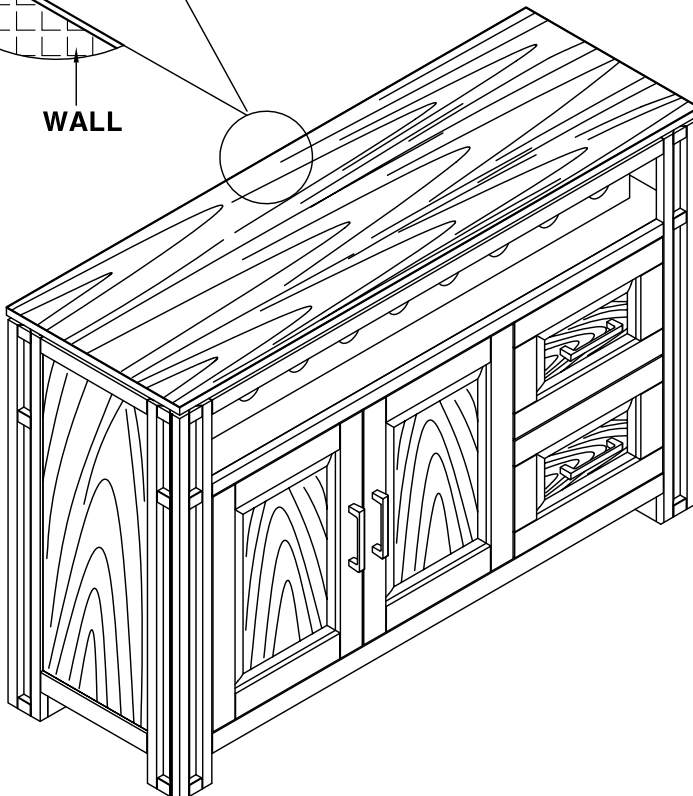
STEP 2



THE BACK OF SERVER

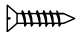
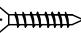

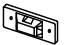

WALL

STEP 3



ASSEMBLY COMPLETED

HARDWARE LIST :

- | | | | |
|-------------------|---------------------------------------|---|------|
| ① Screw | $\phi 7 \times \phi 3.5 \times 5/8''$ |  | 2pcs |
| ② Screw | $\phi 7 \times \phi 3.5 \times 1''$ |  | 2pcs |
| ③ Wall Mounts | |  | 2pcs |
| ④ Mounting Plates | |  | 2pcs |
| ⑤ Secure Band | |  | 1pc |

MADE IN VIETNAM