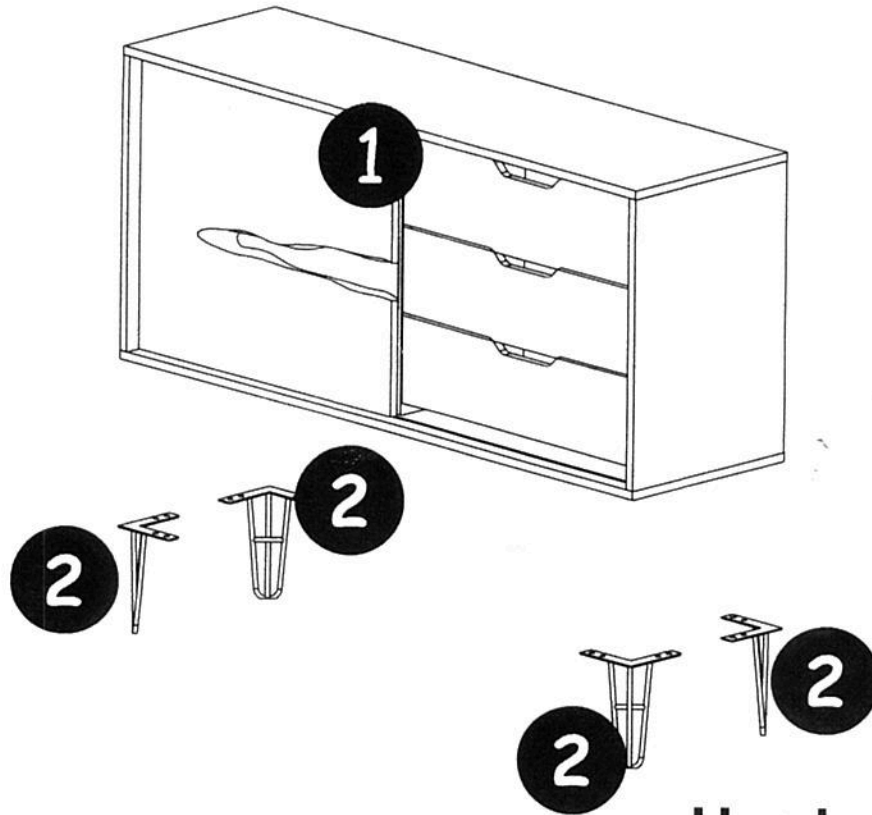







IMPORTANT

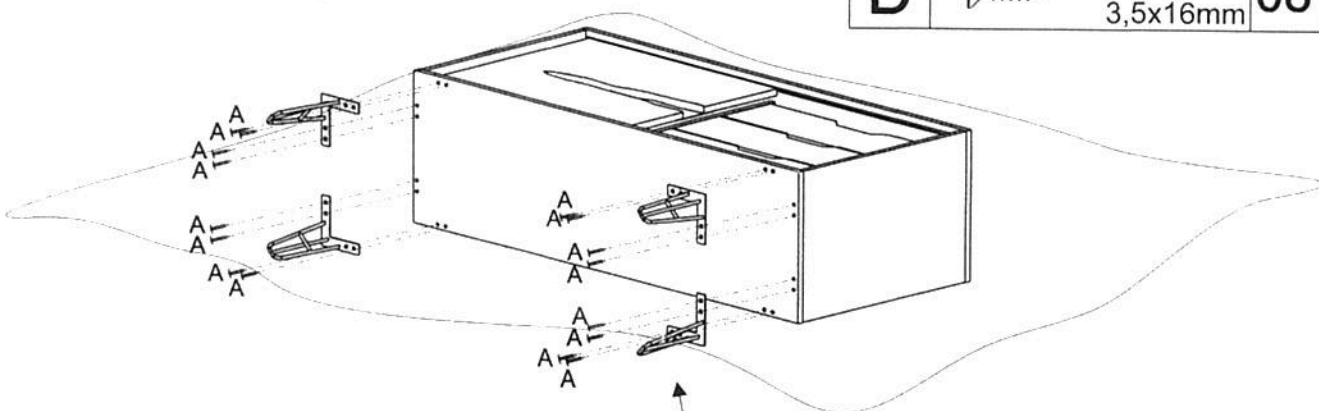
The assembly of this product should be done in a clean and flat surface we recommend to use the carton to protect the product during assembly. The screws can't be exaggeratedly tight to avoid taking out the internal metal nuts.

Parts List



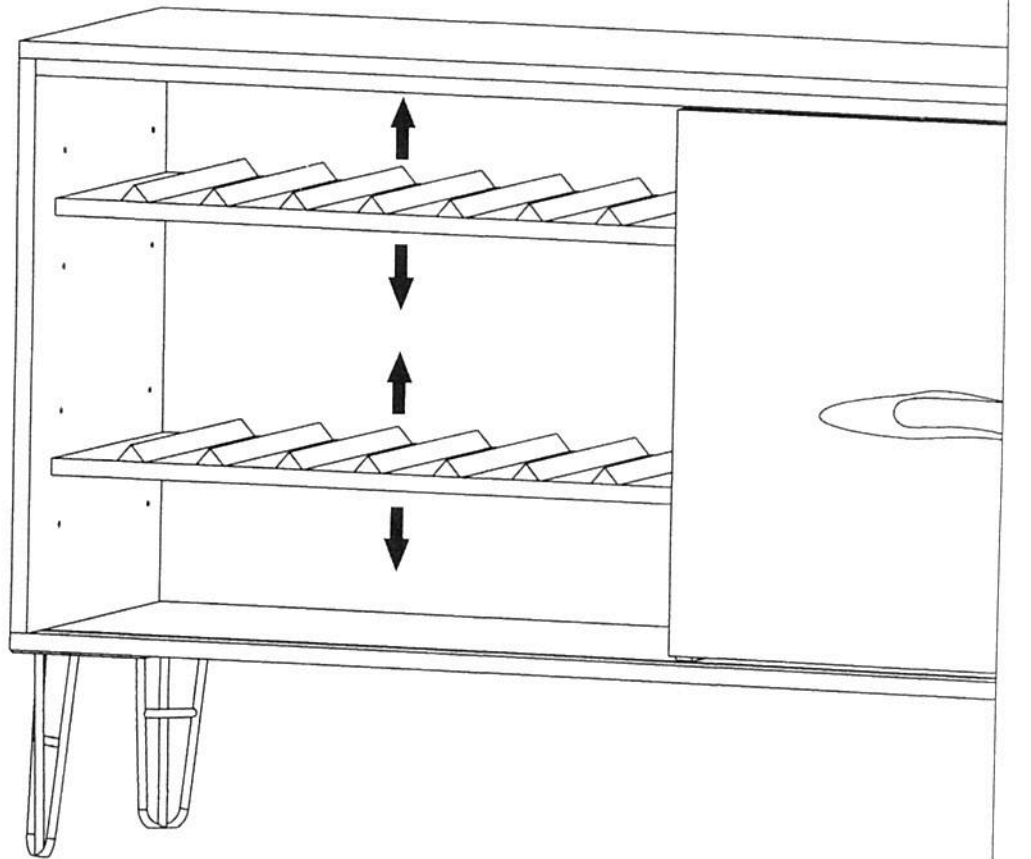
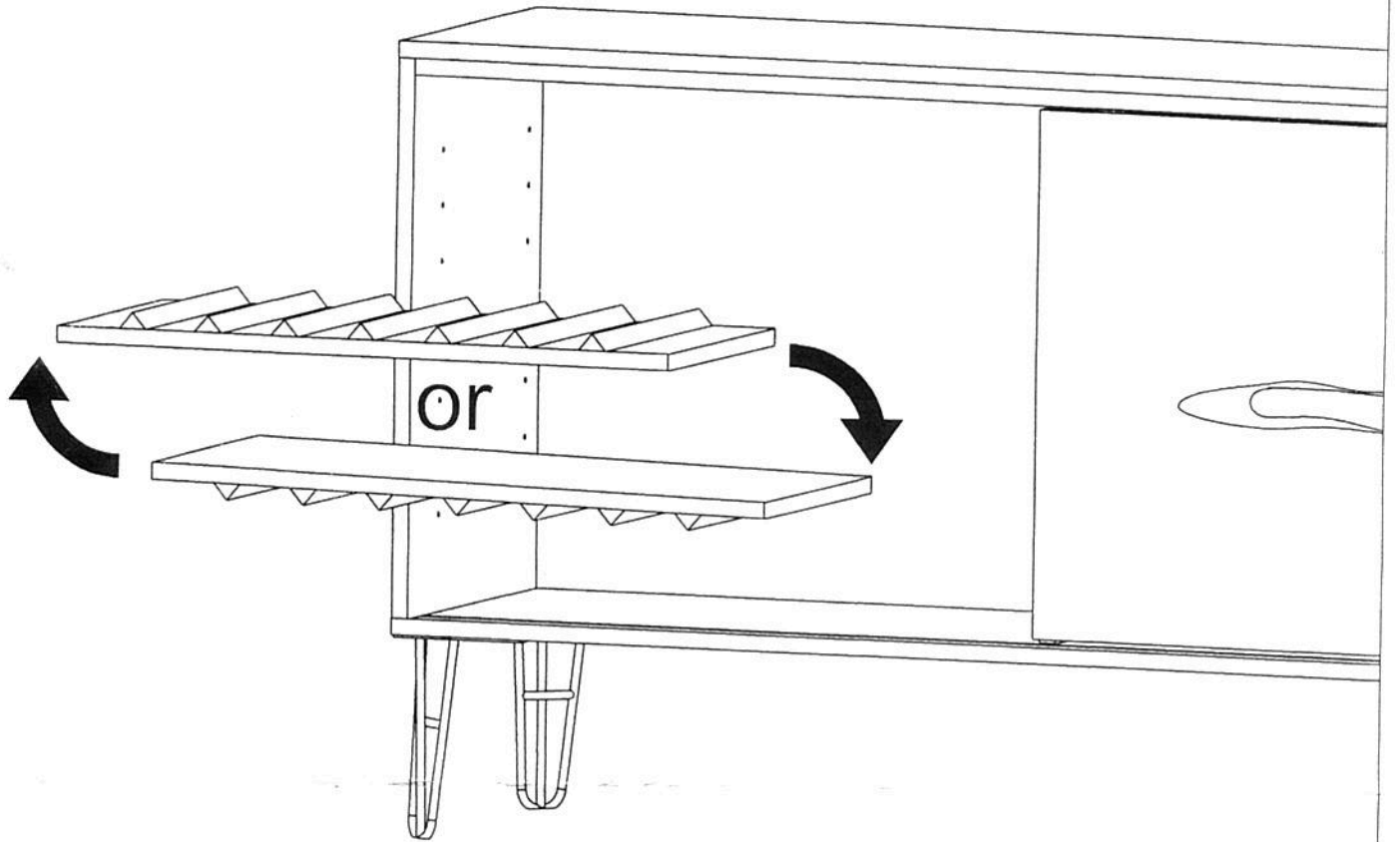
Hardware List

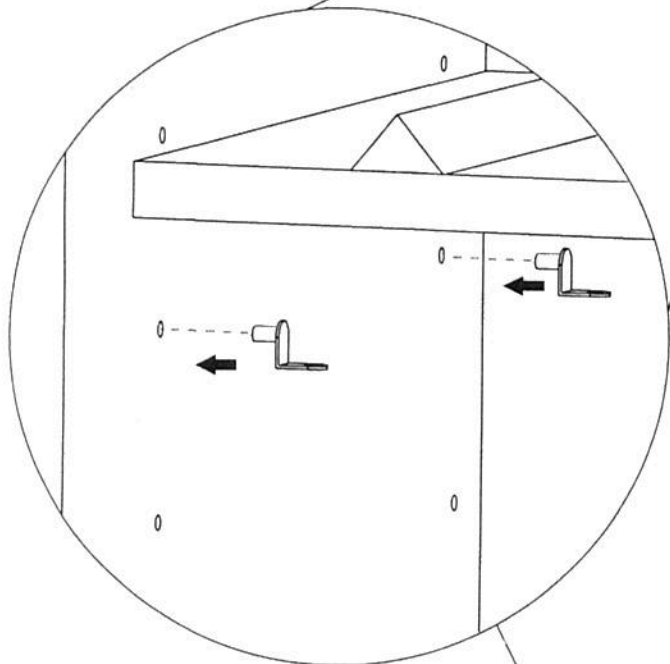
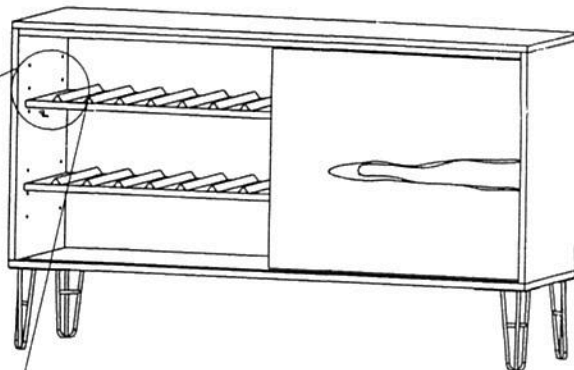
A	 1/4x13mm	16
B	 or 	01
C		08
D	 3,5x16mm	08





Put a guard on the floor so you do not strach the table

Reversible and Adjustable Shelves





C		08
D	 3,5x16mm	08

