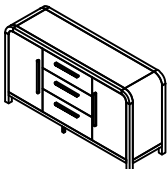

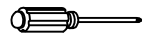
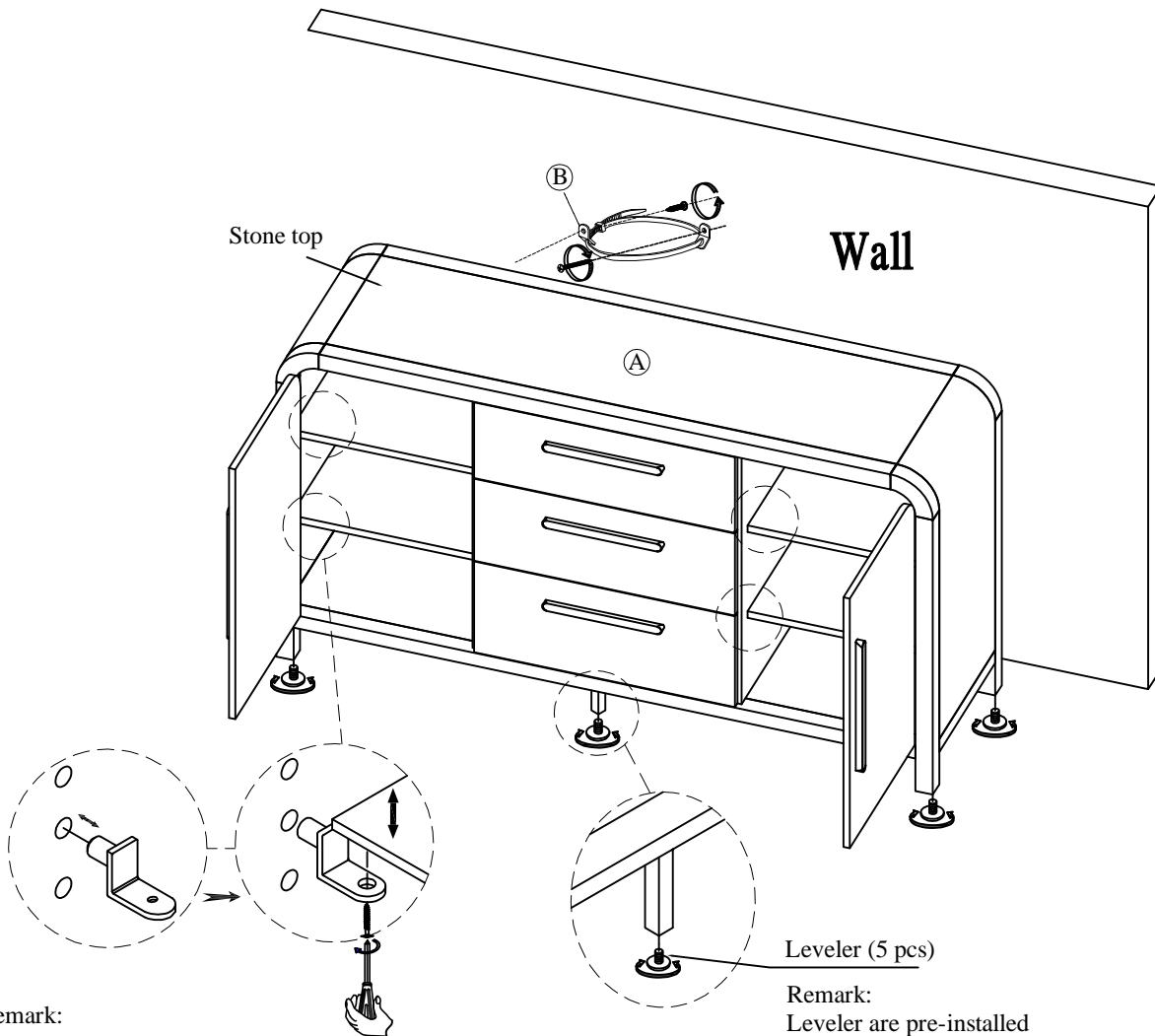


This product is manufactured by PULA for **Rooms To Go**

*** Caution: Please read all instructions carefully before starting the assembly process. These parts are cumbersome and heavy. Therefore, two people are recommended in order to prevent personal injury and ensure the parts are not damaged during the assembly.
*** Remark: DO NOT fully tighten all bolts until assembly is completed.

Code	PARTS LIST :		
A	Buffet		1Pc

Code	HARDWARE LIST		
B		FURNITURE TIPPING RESTRAINT	1Set
Tool Required (not provided)			
		Phillip Screwdriver	



Remark:
Assemble shelf support on the side panel or center panel first, then put wood shelf on the shelf support.
Use a tool to tighten screw to have firmly.

Remark:
Leveler are pre-installed on leg and support leg.

Hardware Pack Location (s):
3770-302 Buffet , **SKU: 42937702**