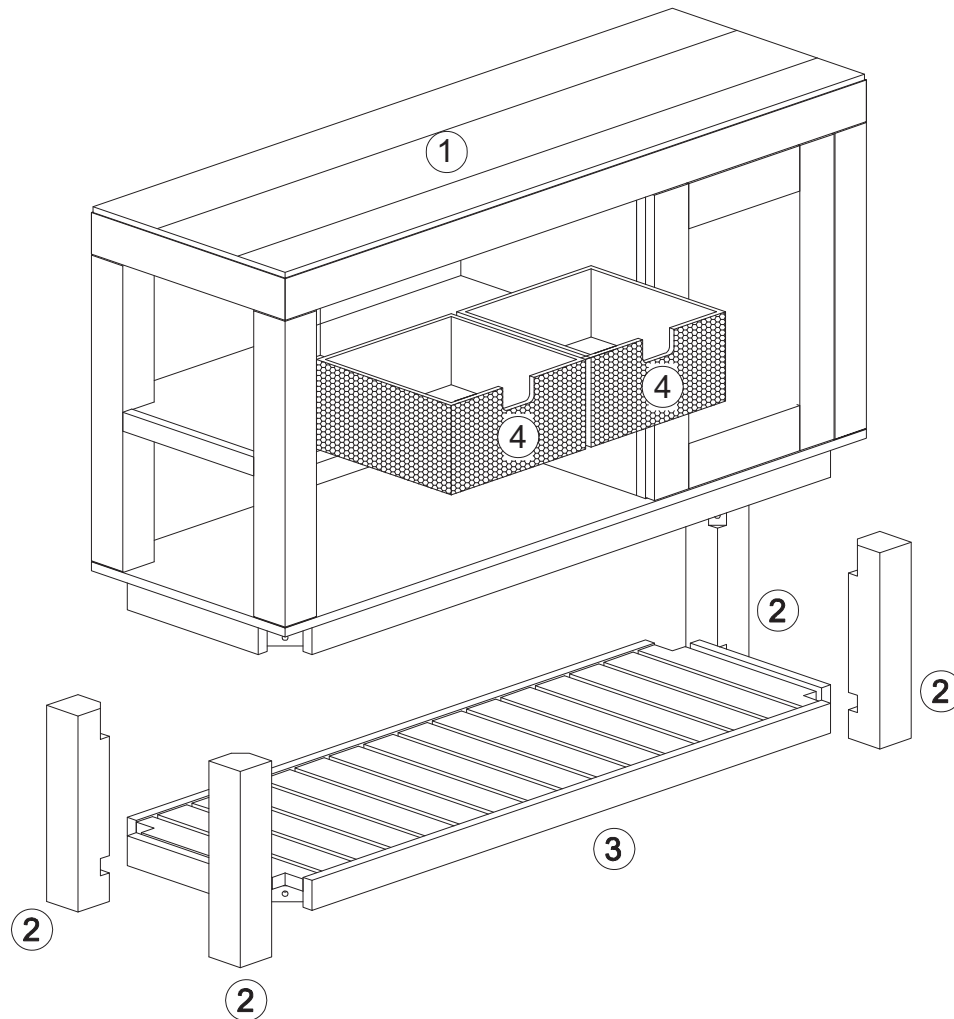




ASSEMBLY INSTRUCTION

UQFN 36832360 36832370
Console Table With Two Rattan Baskets

SKU# 42923880
SKU# 42924882



Step	Code	Part Name	Q'TY
1	1	Upper Assembly	1 Pc
1	2	Legs	4 Pcs
1	3	Shelf Assembly	1 Pc
2	4	Rattan Basket	2 Pcs

Step	Code	Hardware	Q'TY
	A	Allen key M4	1 Pc
1	B	Allen bolt M6x60mm	12 Pcs
1	C	Lock washer 1x6x11mm	12 Pcs
1	D	Flat washer 1x6x16mm	12 Pcs
2	E	Screws M4x25mm	1 Pc
2	F	Knob	1 Pc
3	G	Bracket	2 Pcs
3	H	Tie	1 Pcs
3	I	Screws M4x15mm	1 Pcs
3	K	Screws M4x50mm	1 Pcs
3	L	Philip screws driver (Not provided)	1 Pc

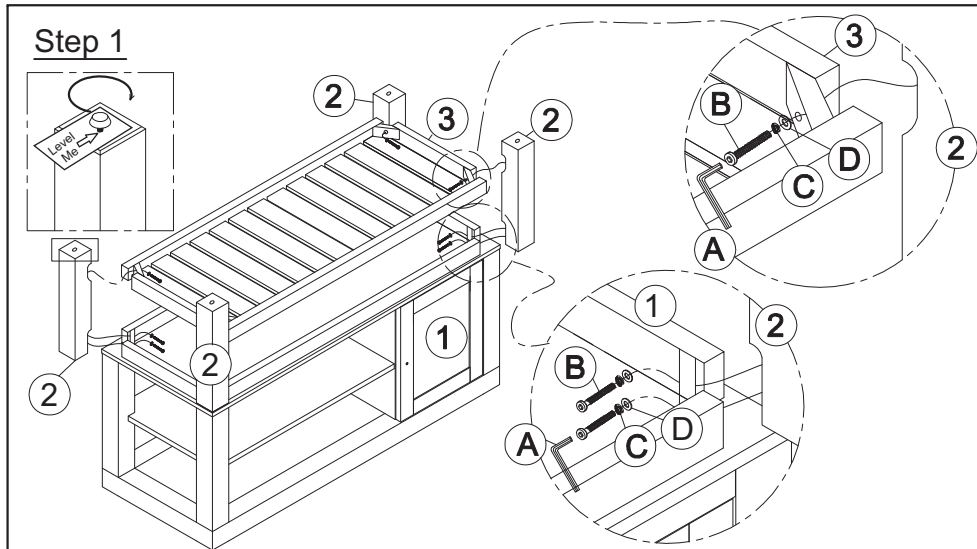


ASSEMBLY INSTRUCTION

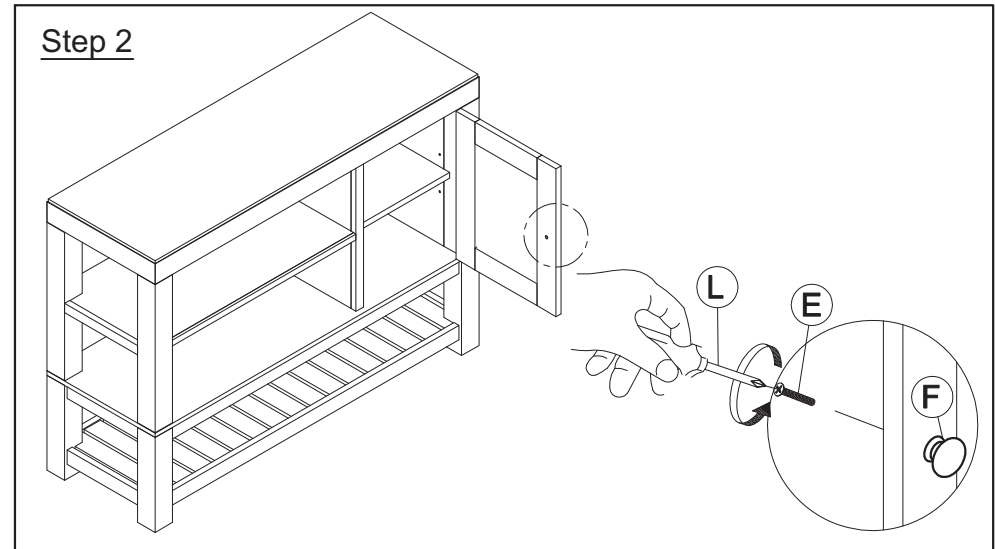
UQFN 36832360 36832370
Console Table With Two Rattan Baskets

SKU# 42923880
SKU# 42924882

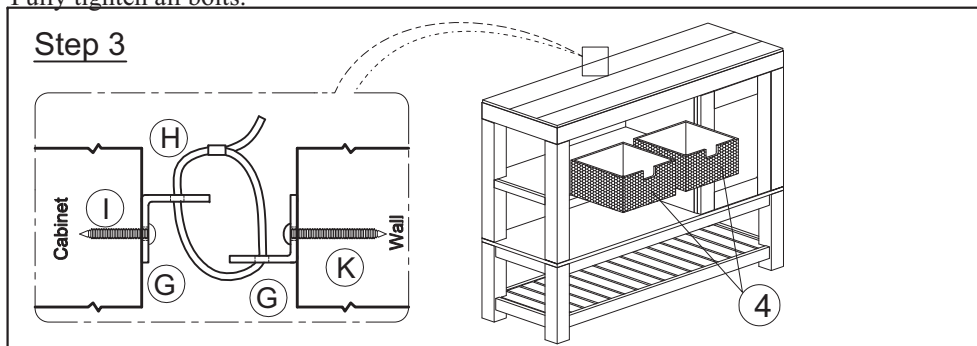
*** Caution: Please read all instructions carefully before starting the assembly process. These parts are cumbersome and heavy. Therefore, two people are recommended in order to prevent personal injury and insure the parts are not damaged during the assembly.



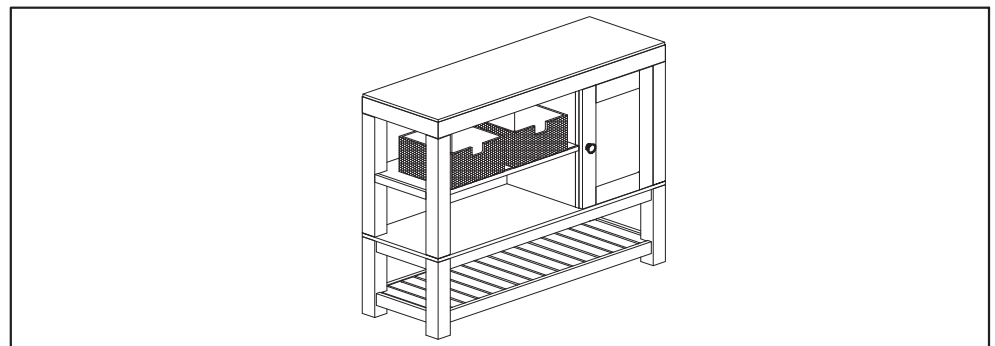
Place the Upper Assembly (1) upside down position in flat and clean surface. Position the Legs (2) together with Shelf Assembly (3) to the Upper Assembly (1), secure it with Allen bolt (B), Lock washer (C) Flat washer (D) by using Allen key (A). Fully tighten all bolts.



Place the item in standing position. Open the door, secure the door knob (F) with Screw (E) using Philip screw drive (L) Fully tighten screw. Put the Rattan Basket (4) in place.



Optional Anti tip kit
Fix Bracket (G) at back of Console Table. Attach other Bracket (G) in the Wall same height of Console Table, secure both Bracket (G) with tie (H) as illustrated.



Assembly Completed