

Assembly Instructions



NAJA 4569-9 SERVER SKU#42945696

Thank you for purchasing this quality product. Be sure to check all packing materials carefully for small parts, which may have come loose inside the carton during shipment. Identify and count all parts and compare with the **HARDWARE LIST** below.

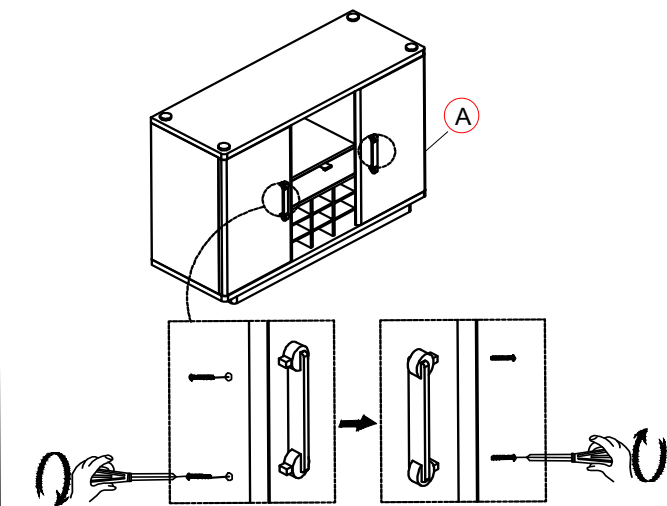
Caution: Please read instructions thoroughly before unpacking assembly parts.

1. We recommend that you assemble this product with the assistance of another person; this will make assembly easier, and will help to eliminate damage to the product or injury to persons during assembly.
2. Please put all parts on a non-abrasive floor before assembly, and follow the assembly steps to assemble your newly purchased product correctly and efficiently.
3. Do not tighten all bolts until the assembly is completed.

NO.		HARDWARE LIST	Q' TY
1		Anti tipping kits	1PC
TOOLS REQUIRED (NOT PROVIDED)			
Description		Sketch	
Phillips screwdriver			

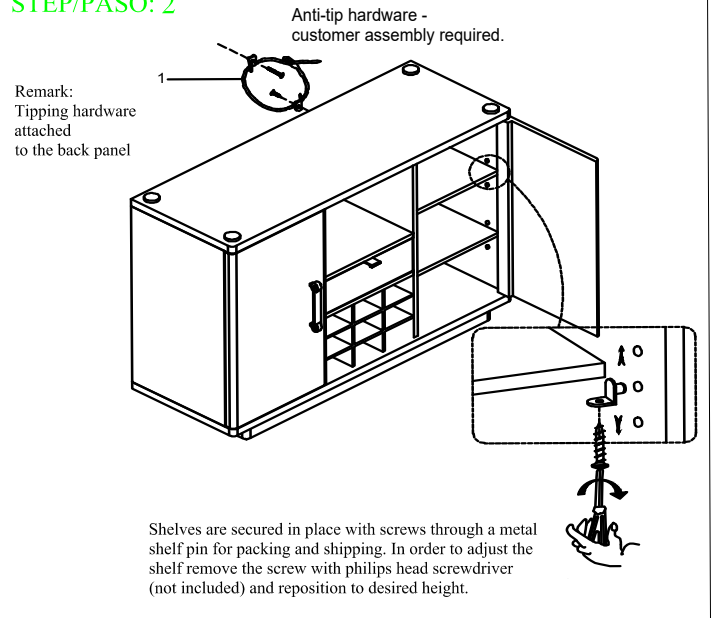
NO.		PARTS LIST	Q' TY
A		Server	1PC
B		Crackled glass top	1PC

STEP/PASO: 1

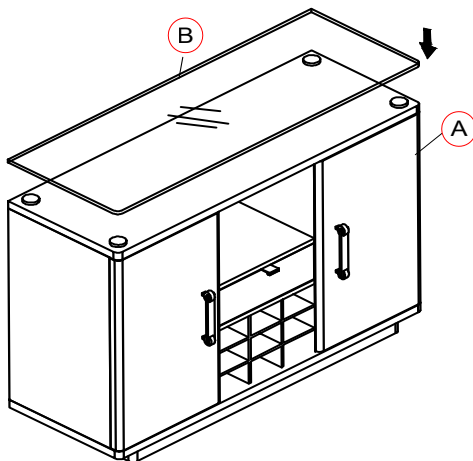


Assemble the handles by tightening the screws that are attached at the back of the handles

STEP/PASO: 2



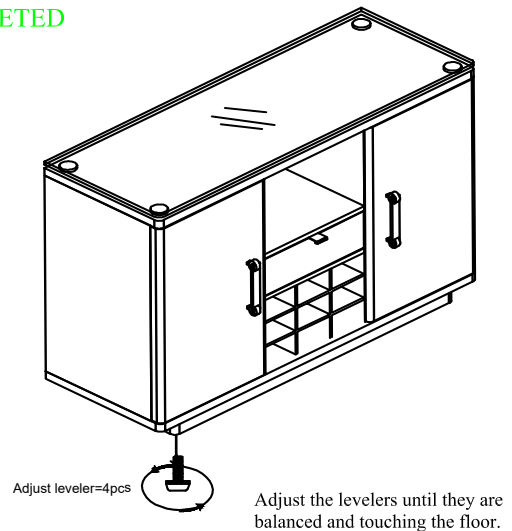
STEP/PASO: 3



Place the Crackled glass top on the top of Server

Hardware pack Location(s): NAJA 4569-9 SERVER SKU#42945696

COMPLETED



This product is manufactured by NAJA for ROOMS TO GO ▶