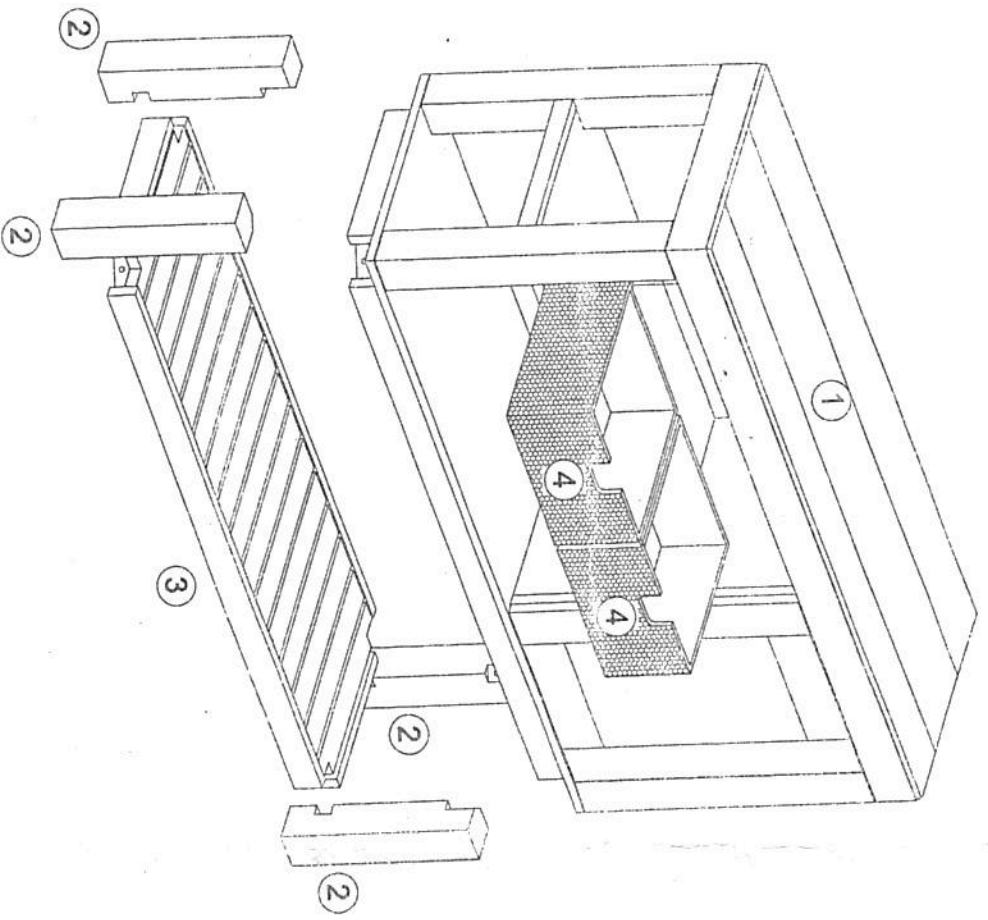




UQFN 36832362 36832370 36832882
 Console Table With Two Rattan Baskets

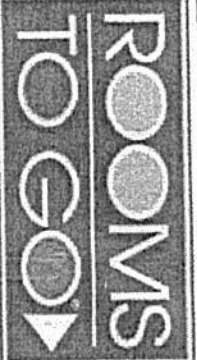
ASSEMBLY INSTRUCTION

SKU# 42943882 SKU# 42924882
 SKU# 42945886



Step	Code	Part Name	QTY
1	1	Upper Assembly	1 Pc
1	2	Legs	4 Pcs
1	3	Shelf Assembly	1 Pc
2	4	Rattan Basket	2 Pcs

Step	Code	Hardware	QTY
	A	Allen key M4	1 Pc
1	B	Allen bolt M6x60mm	12 Pcs
1	C	Lock washer 1x6x11mm	12 Pcs
1	D	Flat washer 1x6x16mm	12 Pcs
2	E	Screws M4x25mm	1 Pc
2	F	Knob	1 Pc
3	G	Bracket	2 Pcs
3	H	Tie	1 Pcs
3	I	Screws M4x15mm	1 Pcs
3	K	Screws M4x50mm	1 Pcs
3	L	Phillip screws driver (Not provided)	1 Pc

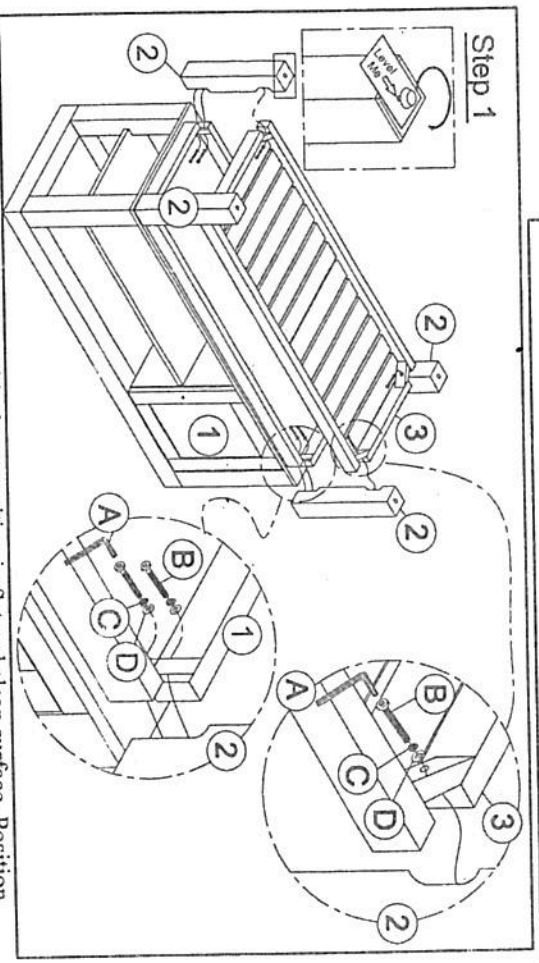


ASSEMBLY INSTRUCTION

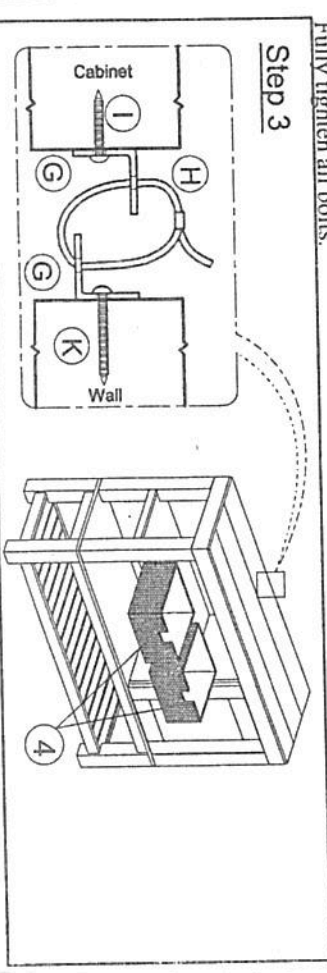
UQFN 36832362 36832370 36832882
 Console Table With Two Rattan Baskets

SKU# 42943882 SKU# 42924882
 SKU# 42945886

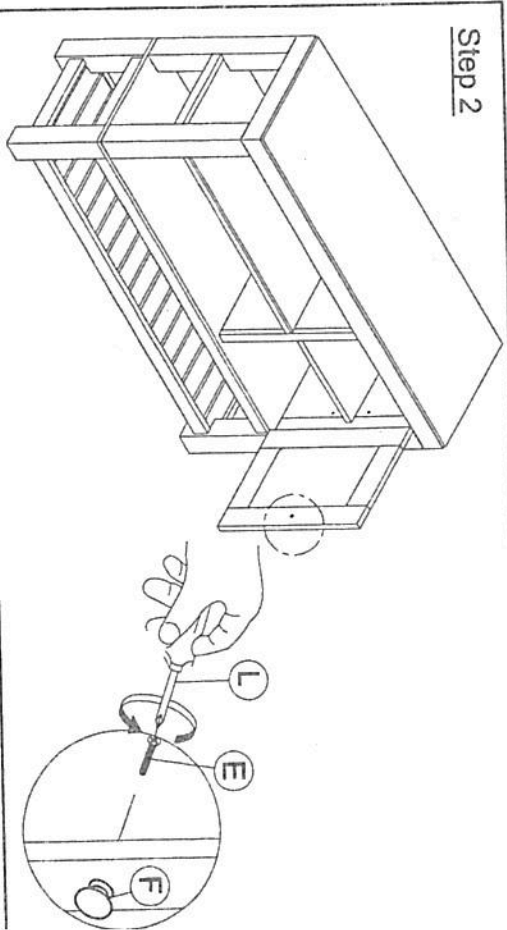
*** Caution: Please read all instructions carefully before starting the assembly process. These parts are cumbersome and heavy. Therefore, two people are recommended in order to prevent personal injury and insure the parts are not damaged during the assembly.



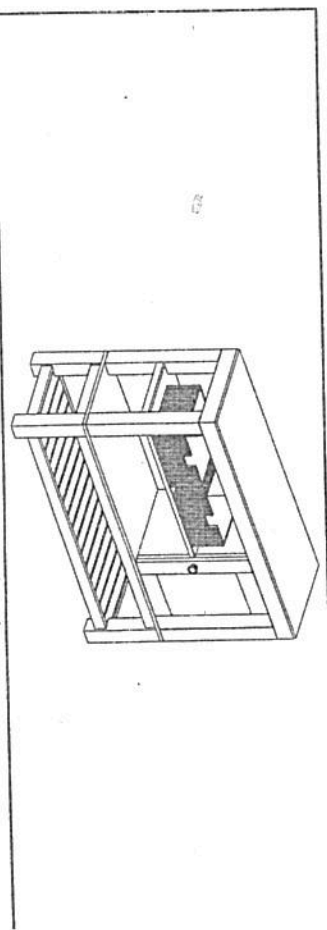
Step 1
 Place the Upper Assembly (1) upside down position in flat and clean surface. Position the Legs (2) together with Shelf Assembly (3) to the Upper Assembly (1), secure it with Allen bolt (B), Lock washer (C) Flat washer (D) by using Allen key (A). Fully tighten all bolts.



Step 3
 Optional Anti tip kit Fix Bracket (G) at back of Console Table. Attach other Bracket (G) in the Wall same height of Console Table, secure both Bracket (G) with tie (H) as illustrated.



Step 2
 Place the item in standing position. Open the door, secure the door knob (F) with Screw (E) using Philip screw drive (L) Fully tighten screw. Put the Rattan Basket (4) in place.



Assembly Completed