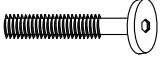



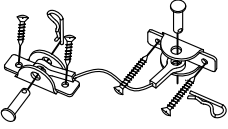


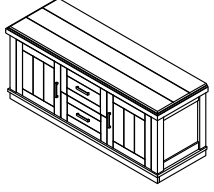
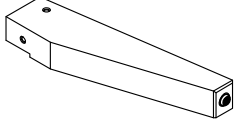
Assembly Instruction Instructions d'assemblage

HOUS

6125-5418 SIDEBOARD

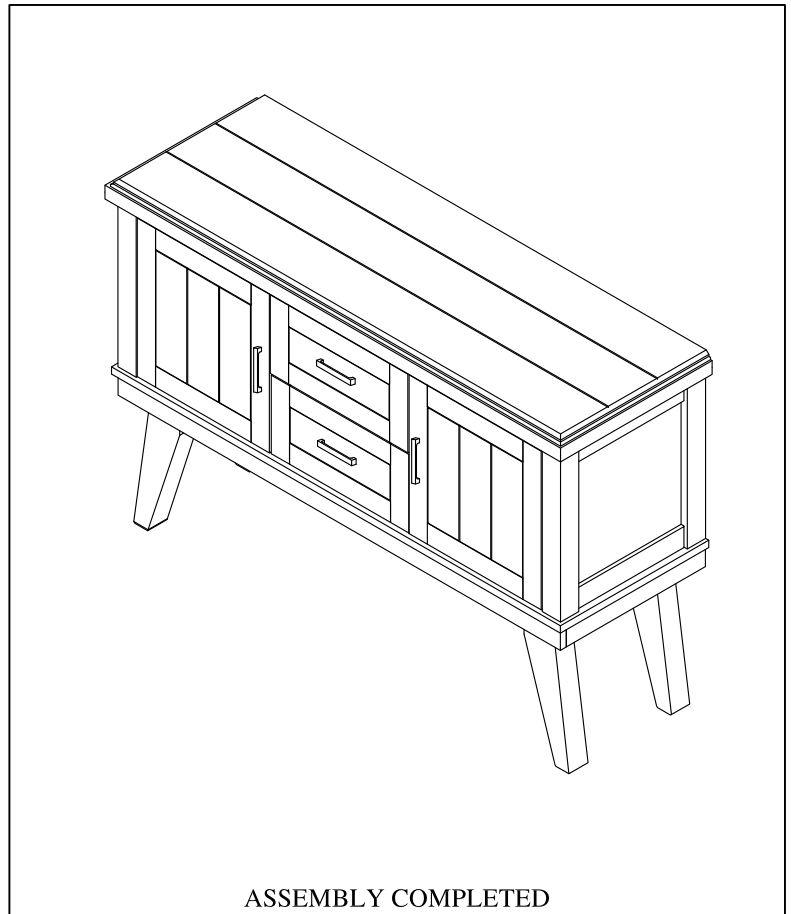
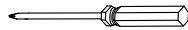
SKU# 42961258

Step	Code	Hardware	Q'TY
1	C	Long Bolt Ø5/16"-18 x 2" 	8 PCS
	D	Spring Washer Ø5/16"x 1/2" 	8 PCS
	E	Flat Washer Ø5/16"x 3/4" 	8 PCS
	F	Allen Key 4mm 	1 PC
2	G	Anti-Tipping Hardware 	1 Set

PART LIST		QTY'
A	Side board 	1 PC
B	Leg Left and Right 	4 PCS

TOOLS REQUIRED (NOT PROVIDED)

Phillips Screwdriver



Hardware Pack Location(s):

HOUS

6125-5418 SIDEBOARD

SKU# 42961258

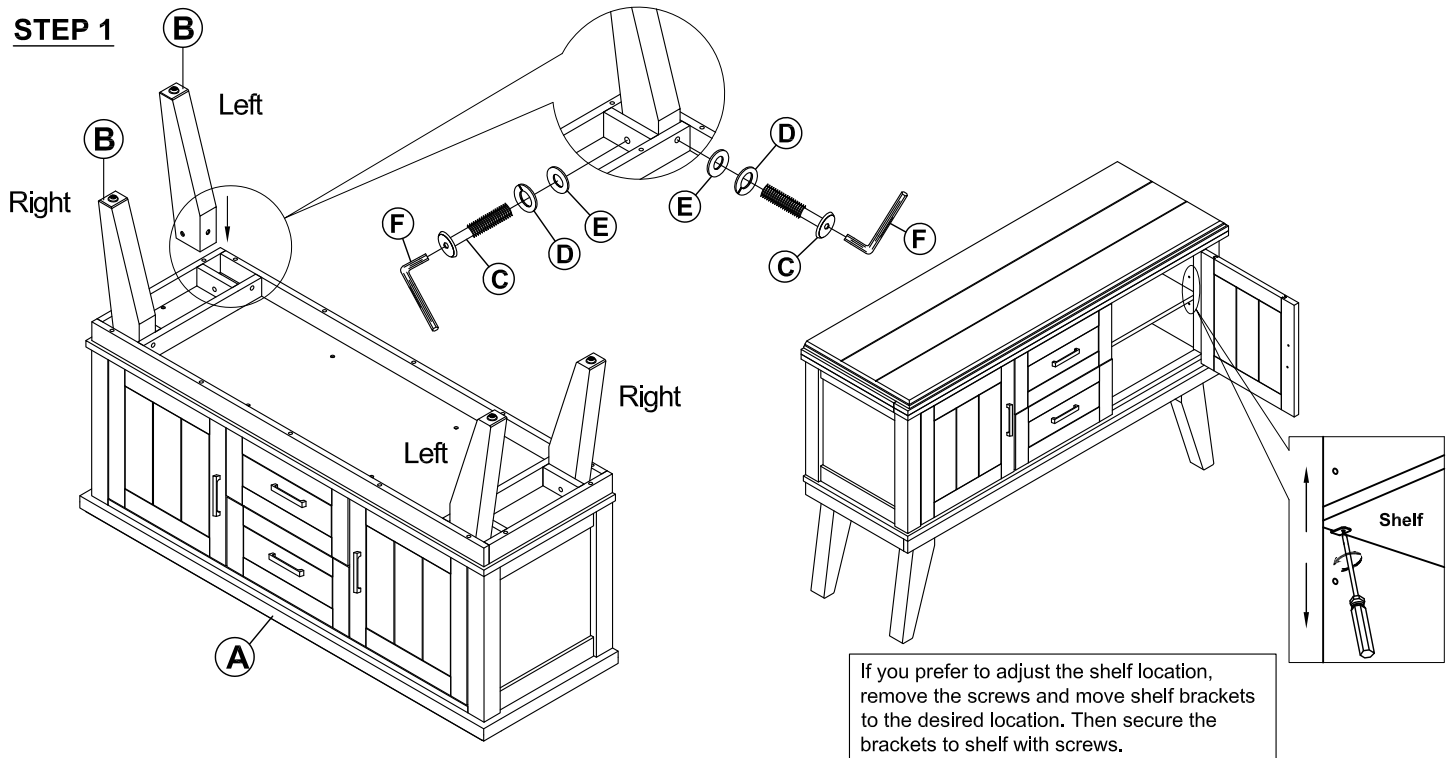
***Caution: Please read all instructions carefully before starting the assembly process. These parts are cumbersome and heavy. Therefore, two people are recommended in order to prevent personal injury and insure the parts are not damaged during the assembly.

Please make sure anti-topping hardware be assembled before using.

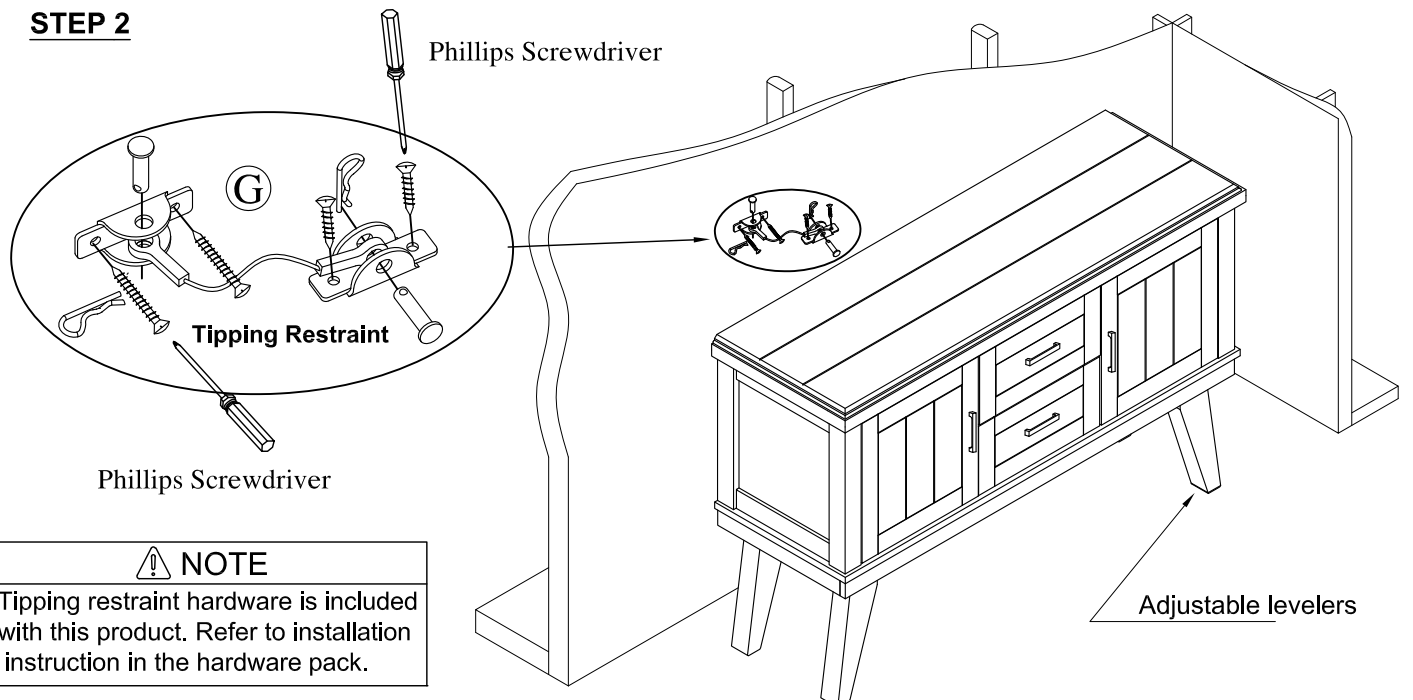
***Avertissement: veuillez lire toutes les instructions attentivement avant de commencer l'assemblage. Ces pièces sont encombrantes et lourdes. Il est recommandé d'être deux personnes pour l'assemblage afin de prévenir des blessures et/ou risquer d'endommager les pièces.

***S'il vous plaît assurez-vous que le matériel anti-nappage être assemblé avant d'utiliser .

STEP 1



STEP 2



NOTE

Tipping restraint hardware is included with this product. Refer to installation instruction in the hardware pack.