

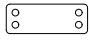
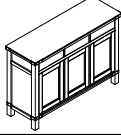
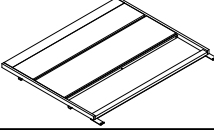
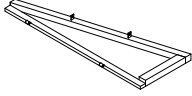
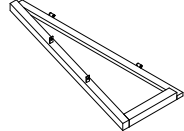
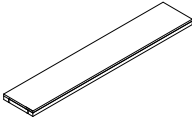
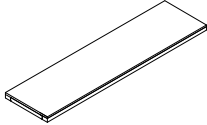
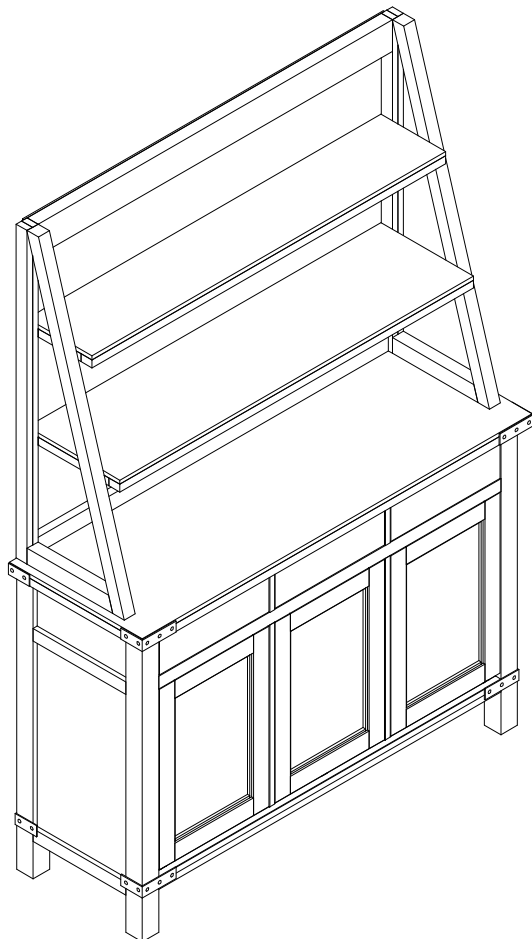


*** Caution : please read all instructions carefully before starting the assembly process. These parts are cumbersome and heavy. Therefore, two people are recommended in order to prevent personal injury and insure the parts are not damaged during the assembly

NO.	Hardware list	Q'TY
1	 BOLT (1/4"*25*1")	18
2	 4MM HEX WRENCH	1
3	 MOUNTING BRACKETS	2

NO.	DESCRIPTION	DRAWING	Q' TY
A	Server Sideboard		1pc
B	Back Frame		1pc
C	Left Support Frame		1pc
D	Right Support Frame		1pc
E	Top shelf		1pc
F	Middle shelf		1pc



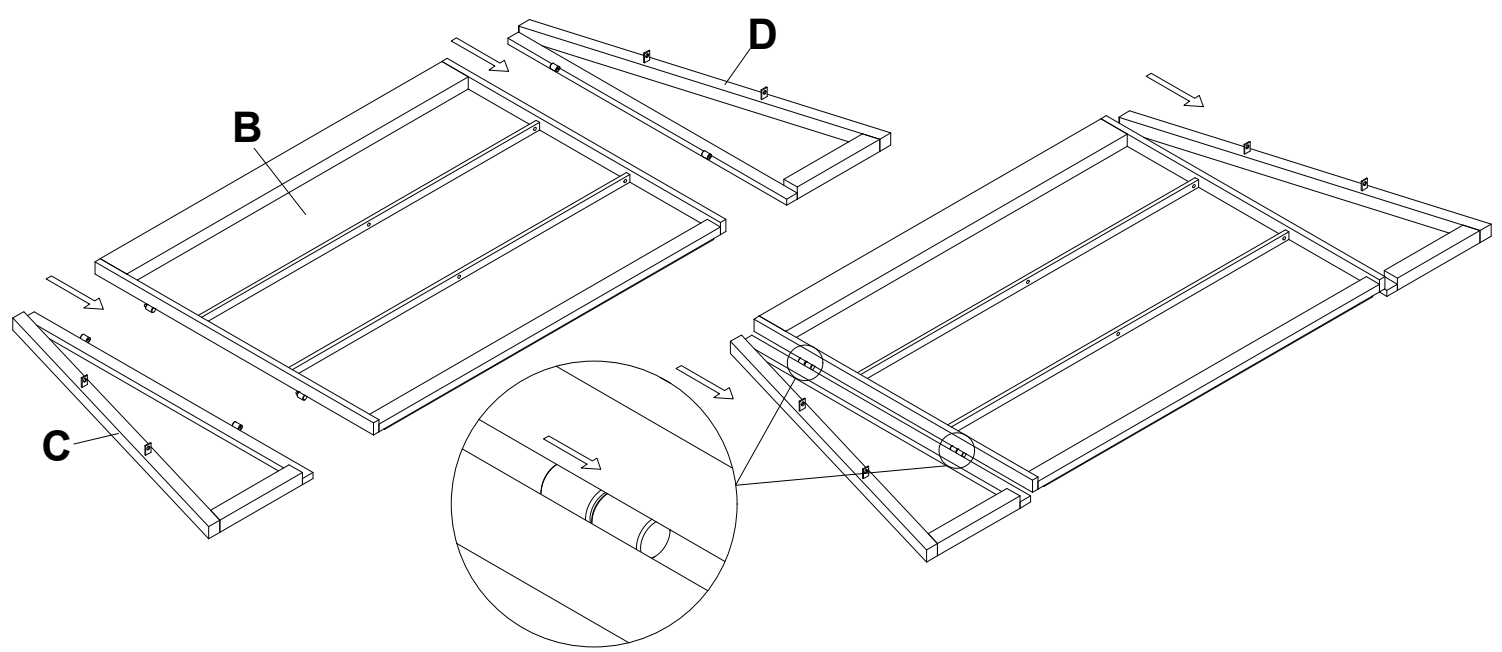
NOTE:DO NOT FULL TIGHTEN BOLTS UNTIL PARTS COMPLETE ASSEMBLED

Cleaning instructions:Clean using soft cloth

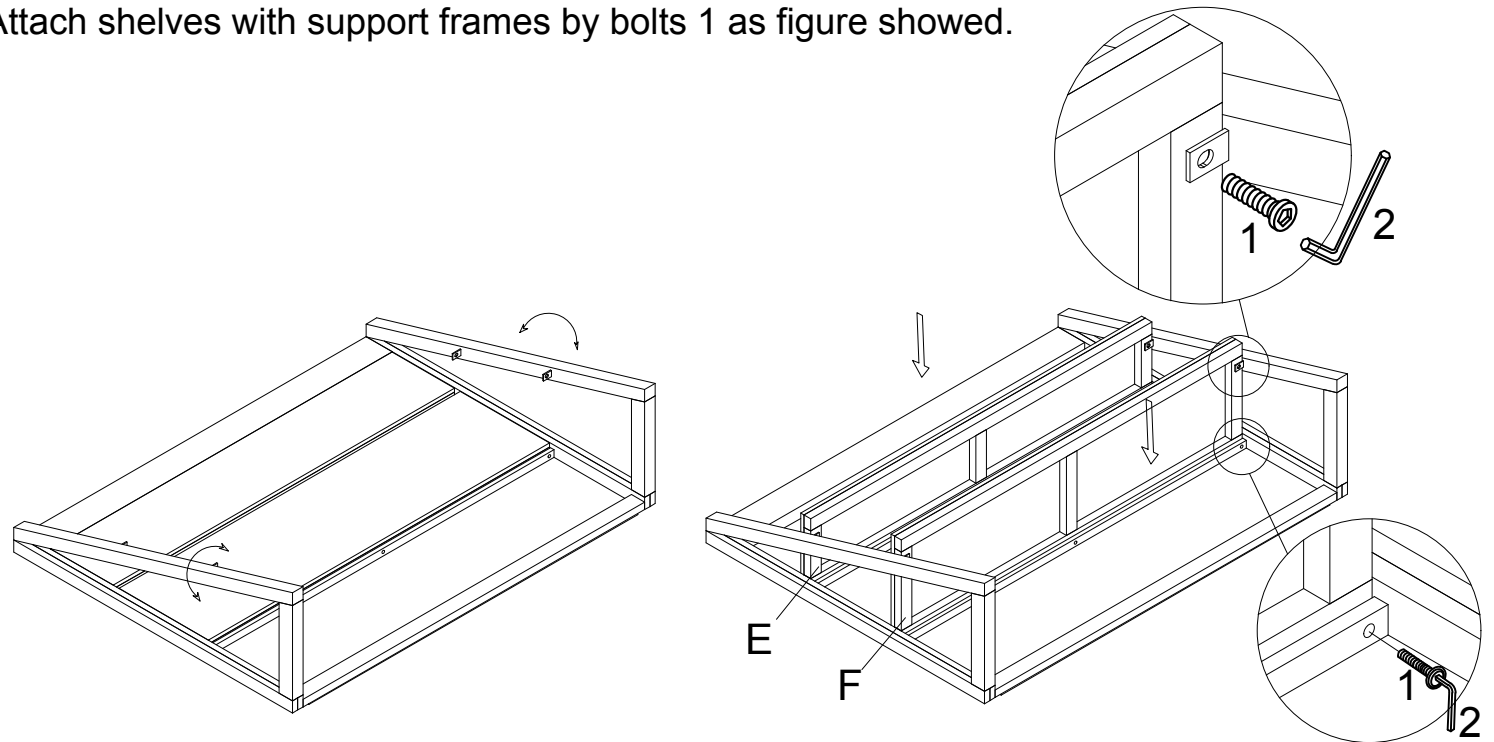
Made in Viet Nam

*** Caution : please read all instructions carefully before starting the assembly process. These parts are cumbersome and heavy. Therefore, two people are recommended in order to prevent personal injuri and insure the parts are not damaged during the assembly

STEP : 1 Get ready with back frame (B) Jeft suppot frame (C) and right support frame (D). Then slide (C) and (D) into the hinge on back frame (B)



STEP : 2 Flip up left support frame L (C) and right support frame (D) .Flip down 2 shelves. Attach shelves with support frames by bolts 1 as figure showed.



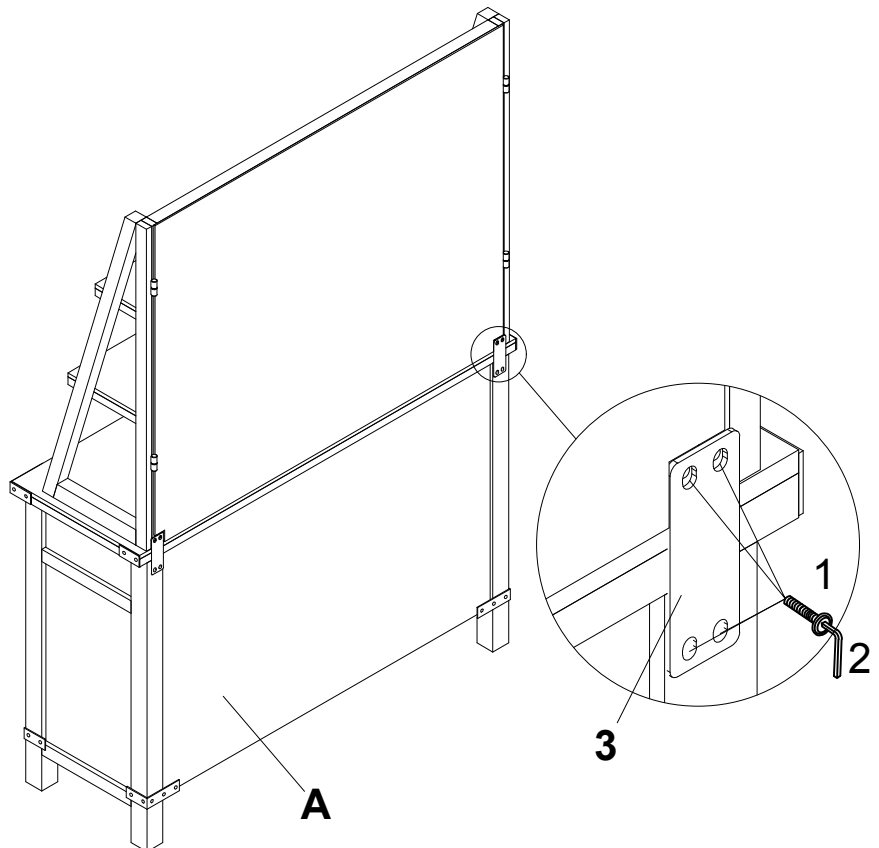
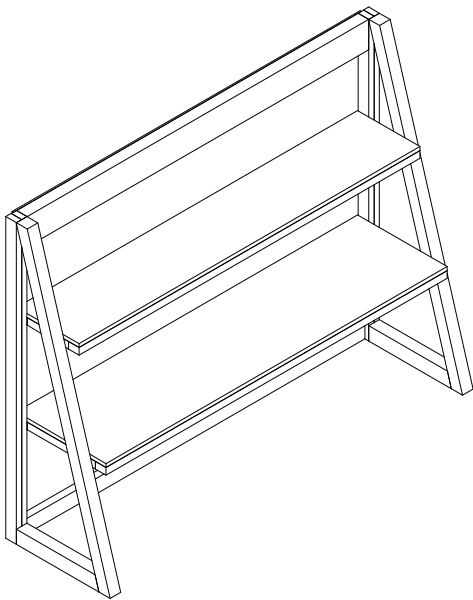
NOTE:DO NOT FULL TIGHTEN BOLTS UNTIL PARTS COMPLETE ASSEMBLED

Cleaning instructions:Clean using soft cloth

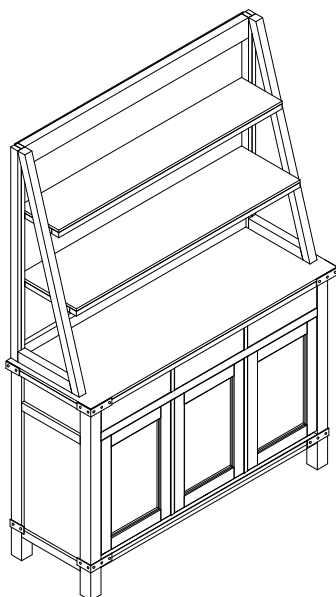
Made in Viet Nam

*** Caution : please read all instructions carefully before starting the assembly process. These parts are cumbersome and heavy. Therefore, two people are recommended in order to prevent personal injury and insure the parts are not damaged during the assembly

STEP : 3 Put assembled hutch on server sideboard ,make sure flush on back. Use mounting brackets (E) to assemble,hutch and server sideboard . Screw mounting brackets (E) by bolts 2 and flat washer 4



STEP : 3



Warning: this item came with an anti-tipping device. The use of this device may only reduce, but not eliminate the risk of tip-over. Do not put TVs or other large objects in top of this product. Do not allow children to climb or hang from this product.

NOTE:DO NOT FULL TIGHTEN BOLTS UNTIL PARTS COMPLETE ASSEMBLED

Cleaning instructions:Clean using soft cloth

Made in Viet Nam