









Manufactured by GRVE for Rooms To Go

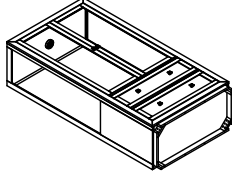

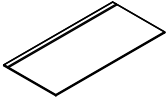
ASSEMBLY INSTRUCTIONS

GRVE 9354-CR CURIO SKU# 42993546

GRVE 9356-CR CURIO SKU# 42993560

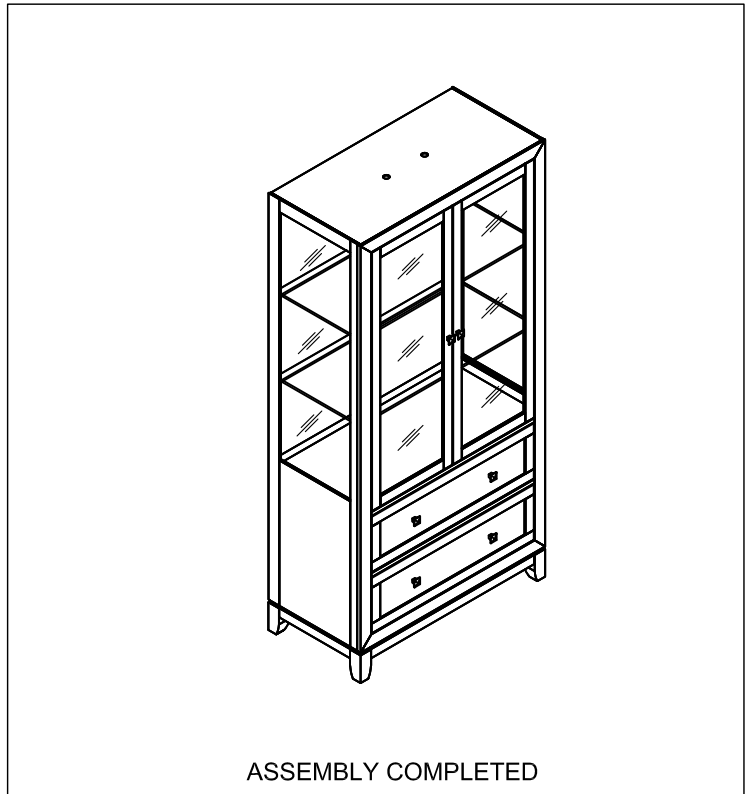
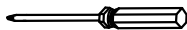
Thank you for purchasing this quality product. Be sure to check all packing material carefully for small parts which may have come loose inside the carton during shipment. Identify and count all parts and compare with part list below.

HARDWARE LIST		Q'TY
1	Bolt φ1/4"-20 x 2-1/4"	 8pcs
	Spring Washer φ5/16" x1/2"	 8pcs
	Flat Washer φ5/16" x3/4"	 8pcs
2	Shelf Supporter	 8pcs
3	Allen Key 5/32"	 1pc
4	Anti-Tipping Hardware (customer assembly required)	 1Set

PART LIST		QTY'
A	Curio	 1pc
B	Legs	 4pcs
C	Shelf glass	 2pcs

TOOLS REQUIRED (NOT PROVIDED)

Phillips Screwdriver



Hardware Pack Location(S): Underneath curio bottom

CURIO SKU# 42993546

CURIO SKU# 42993560



Manufactured by GRVE for Rooms To Go

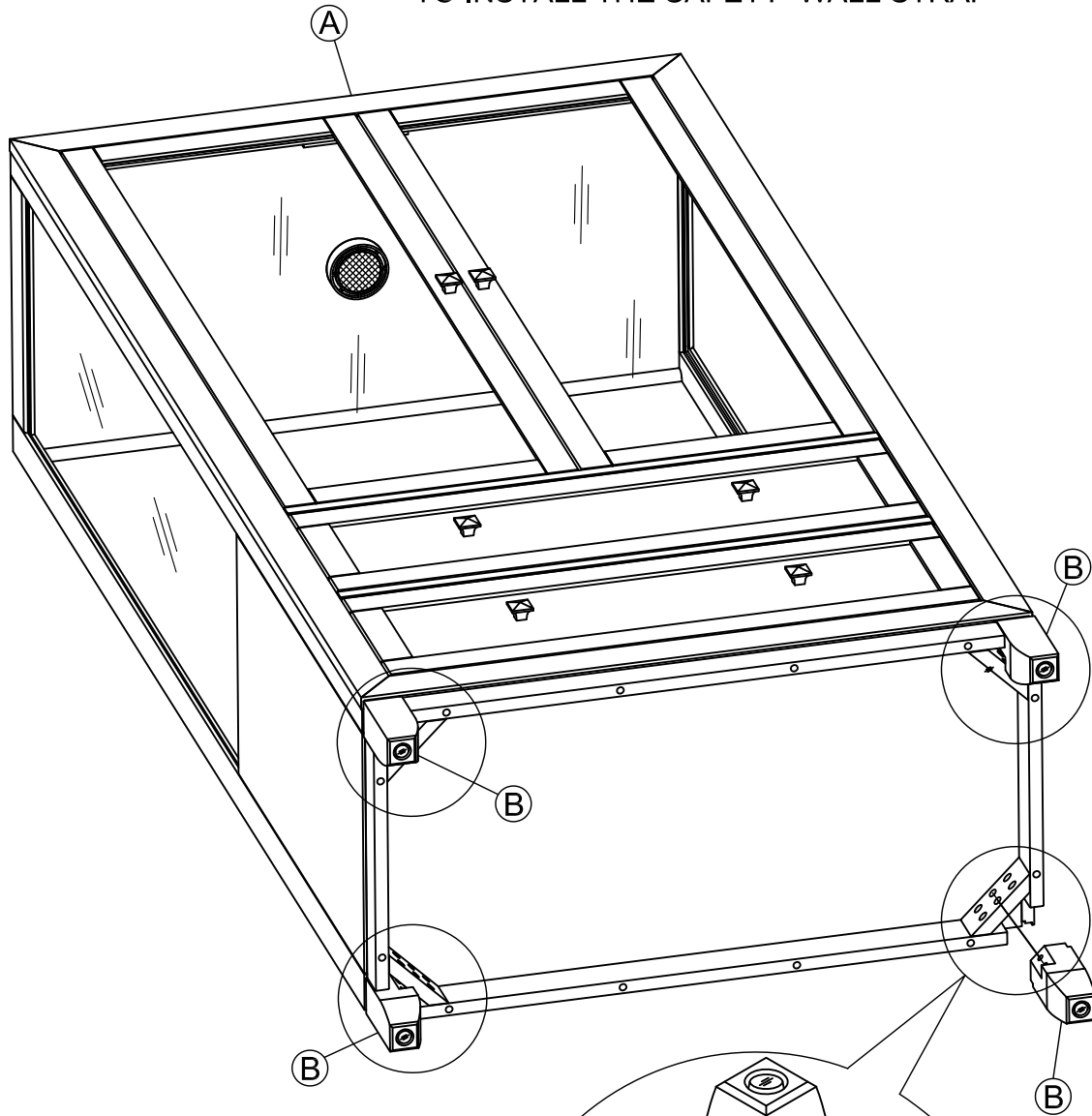
ASSEMBLY INSTRUCTIONS

GRVE 9354-CR CURIO SKU# 42993546

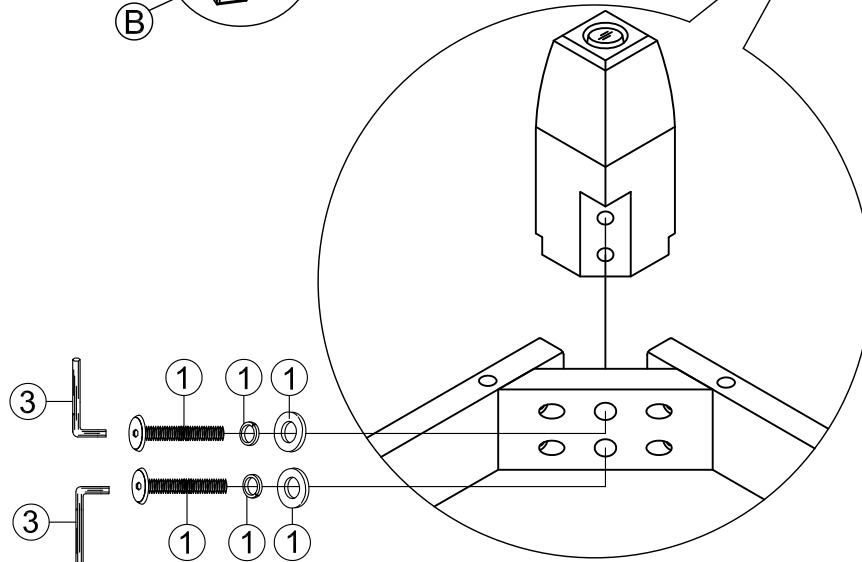
GRVE 9356-CR CURIO SKU# 42993560

Thank you for purchasing this quality product. Be sure to check all packing material carefully for small parts which may have come loose inside the carton during shipment. Identify and count all parts and compare with part list below.

TO INSTALL THE SAFETY WALL STRAP



STEP 1





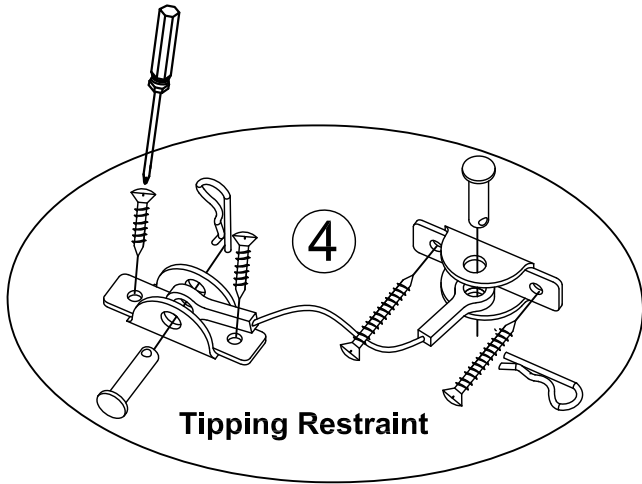
Manufactured by GRVE for Rooms To Go

ASSEMBLY INSTRUCTIONS

GRVE 9354-CR CURIO SKU# 42993546

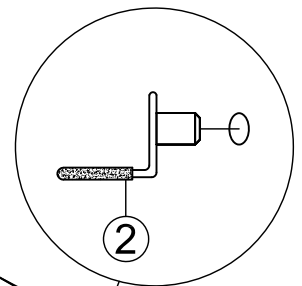
GRVE 9356-CR CURIO SKU# 42993560

Thank you for purchasing this quality product. Be sure to check all packing material carefully for small parts which may have come loose inside the carton during shipment. Identify and count all parts and compare with part list below.



Notes : Anti-Tip hardware -
customer assembly required

NOTE
Tipping restraint hardware is included with this product. Refer to installation instruction in the hardware pack.



STEP 2

