


Assembly Instructions

NAJA 9967-9 SERVER SKU#42999675

Thank you for purchasing this quality product. Be sure to check all packing materials carefully for small parts, which may have come loose inside the carton during shipment. Identify and count all parts and compare with the HARDWARE LIST below.

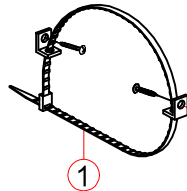
Caution: Please read instructions thoroughly before unpacking assembly parts.

1. We recommend that you assemble this product with the assistance of another person; this will make assembly easier, and will help to eliminate damage to the product or injury to persons during assembly.
2. Please put all parts on a non-abrasive floor before assembly, and follow the assembly steps to assemble your newly purchased product correctly and efficiently.
3. Do not tighten all bolts until the assembly is completed.

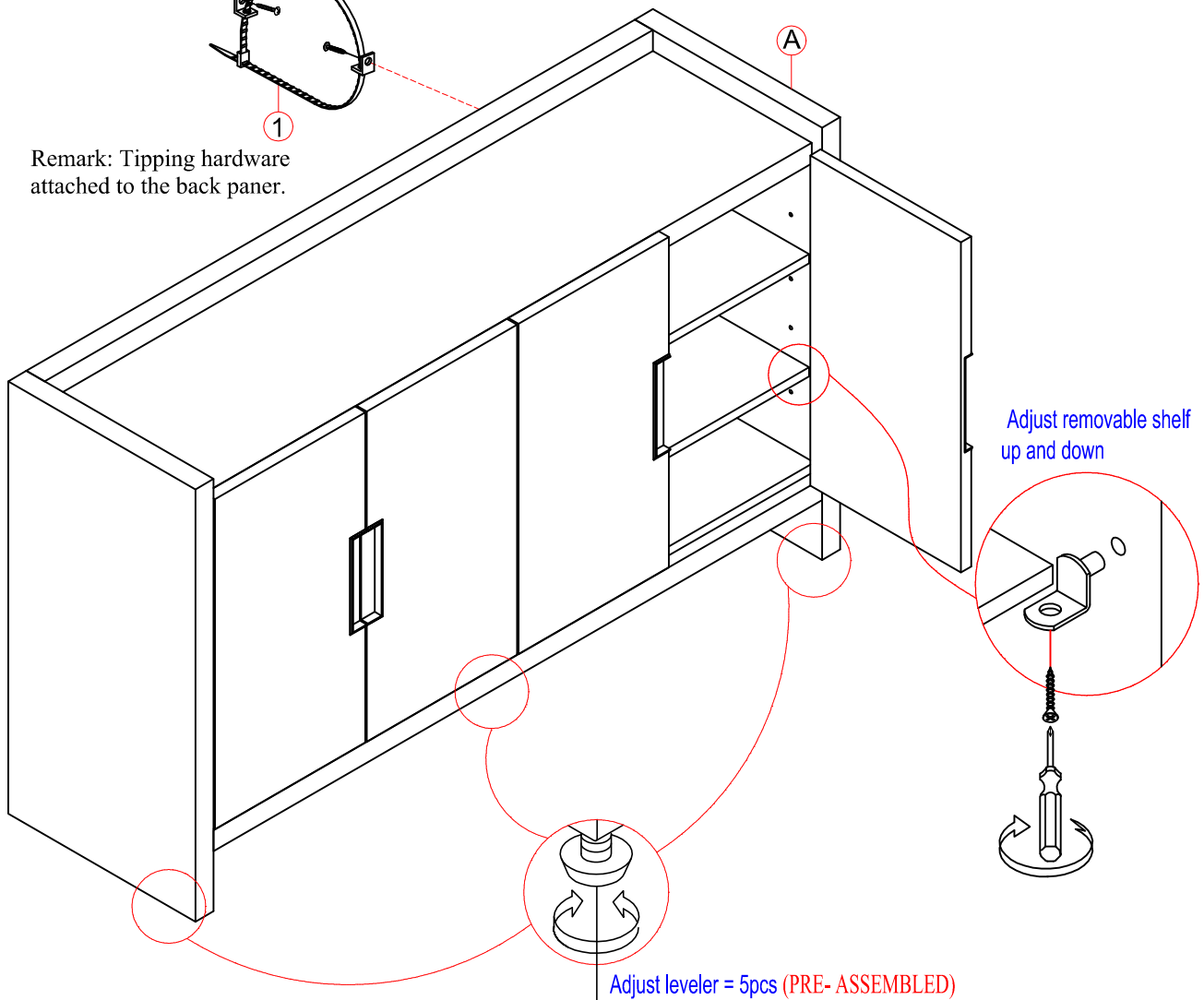
NO.	HARDWARE LIST		Q' TY
1		Anti tipping kits	1
TOOLS REQUIRED (NOT PROVIDED)			
Description	Sketch		
Phillips screwdriver			

NO.	PARTS LIST		Q' TY
A		Server	1

Assemble the tipping hardware with the back stretcher.



Remark: Tipping hardware attached to the back paner.



Adjust leveler = 5pcs (PRE- ASSEMBLED)