

Hardware Parts



ALLEN KEY BOLT 4 PCS.



BIG ALLEN KEY 1 PCS.



NUT 4 PCS.

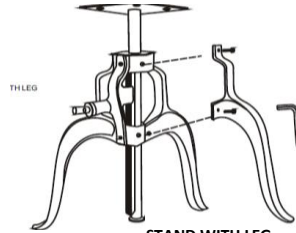


SMALL ALLEN KEY 1 PCS.

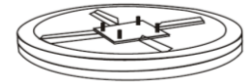


SPANNER 1 PCS.

Table Parts



STAND WITH LEG

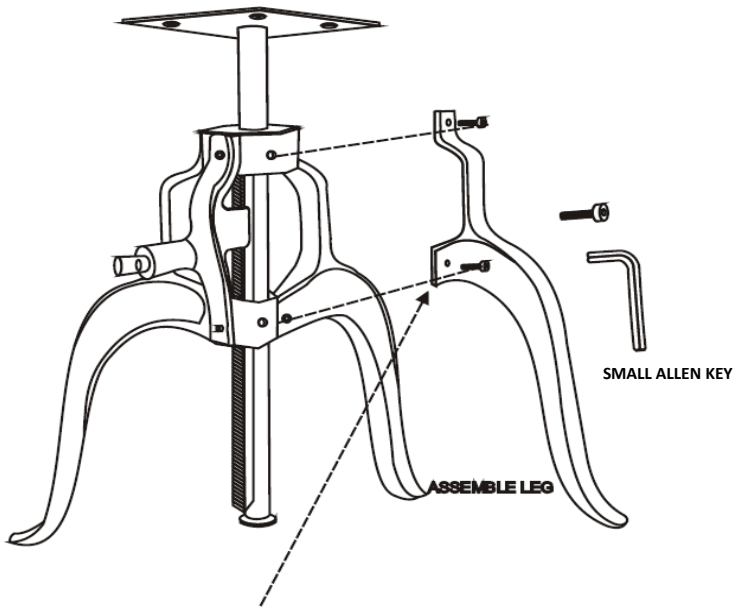


TOP



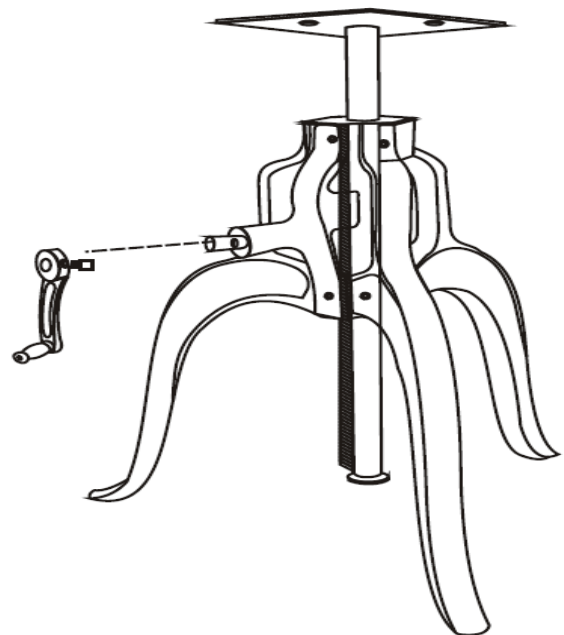
HANDLE

FIRST STEP



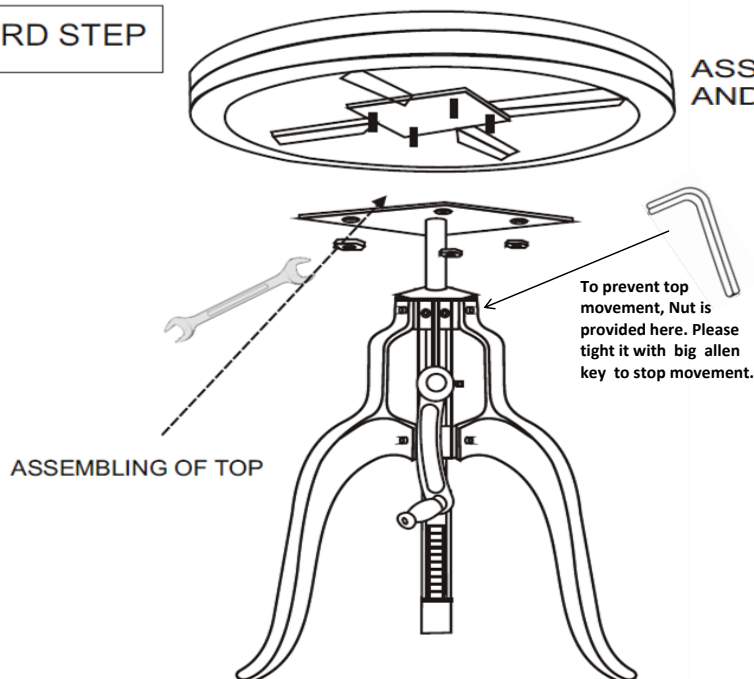
ASSEMBLE LEG WITH ALLEN Bolt AND ALLEN KEY

SECOND STEP



ASSEMBLE HANDLE WITH ALLEN Bolt AND ALLEN KEY

THIRD STEP



ASSEMBLING OF TOP

To prevent top movement, Nut is provided here. Please tight it with big allen key to stop movement.

FINAL PICTURE

