

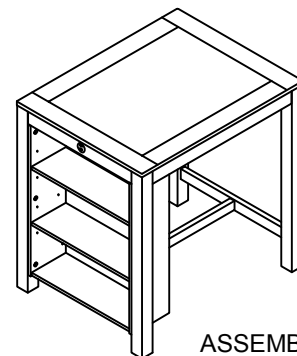
Assembly Instruction Instructions d'assemblage

HOUS 4814-CNT STRG GATHERING TABLE

SKU# 43148142

WARNING: To avoid alignment issue, please don't tighten the screws unless all leg are adjusted at the same level.

HARDWARE LIST / LISTE DE QUINCAILLERIE		QTY'/ QTÉ	PART LIST/LISTE DE PIÈCES		QTY'/ QTÉ
A	Allen Bolt Ø1/4" x 20 x 1-1/4"	8 PCS 8 PIÈCES	1	TABLE TOP	1 PC 1 PIÈCE
	Boulon Ø1/4" x 20 x 1-1/4"			DESSUS DE LA TABLE	
	Spring Washer Ø1/4" x Ø1/2" x 1/16"	8 PCS 8 PIÈCES	2	TABLE STORAGE PANEL	1 PC 1 PIÈCE
	Rondelle D' Arrêt Ø1/4" x Ø1/2" x 1/16"			PANNEAU DE RANGEMENT DE TABLE	
	Flat Washer Ø1/4" x Ø5/8" x 1/16"			8 PCS 8 PIÈCES	3
	Rondelle Plate Ø1/4" x Ø5/8" x 1/16"	ÉTAGÈRE RÉGLABLE			
B	Allen Bolt Ø5/16" x 18 x 2-3/8"	8 PCS 8 PIÈCES	4	STORAGE RIGHT LEG	1 PC 1 PIÈCE
	Boulon Ø5/16" x 18 x 2-3/8"			PIED DE RANGEMENT	
	Spring Washer Ø5/16" x Ø1/2" x 1/16"	8 PCS 8 PIÈCES	5	STORAGE LEFT LEG	1 PC 1 PIÈCE
	Rondelle D' Arrêt Ø5/16" x Ø1/2" x 1/16"			PIED DE RANGEMENT	
	Flat Washer Ø5/16" x Ø3/4" x 1/16"			8 PCS 8 PIÈCES	6
	Rondelle Plate Ø5/16" x Ø3/4" x 1/16"	PIED DE TABLE			
C	Allen Key 1/8"	1 PC 1 PIÈCE	7	TABLE LEFT LEG	1 PC 1 PIÈCE
	Clè Allen 1/8"			PIED DE TABLE	
D	Shelf Bracket	12 PCS 12 PIÈCES	8	LONG STRETCHER	1 PC 1 PIÈCE
	Support D'étagère			CIVIÈRE LONGUE	
E	Wood Screw #3 x 1/2"	14 PCS 14 PIÈCES	9	SHORT STRETCHER	1 PC 1 PIÈCE
	Vis À Bois #3 x 1/2"			CIVIÈRE COURTE	
F	Screw #4 x 1/1/2"	2 PCS 2 PIÈCES			
	Vis #4 x 1/1/2"				
Screwdrivers(Not Included) Tournevis(Non Inclus)					



ASSEMBLY COMPLETED

Hardware Pack Location(s):

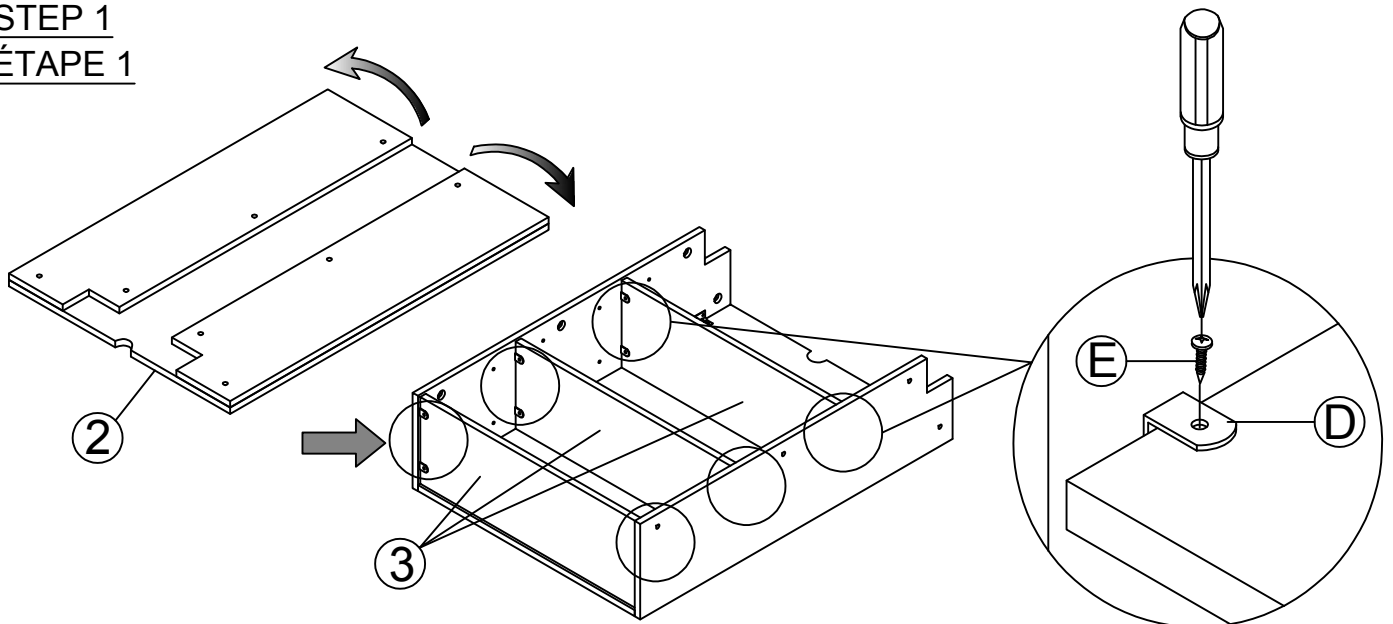
4814-CNT STRG GATHERING TABLE

SKU# 43148142

***Caution: Please read all instructions carefully before starting the assembly process. These parts are cumbersome and heavy. Therefore, two people are recommended in order to prevent personal injury and ensure the parts are not damaged during the assembly.

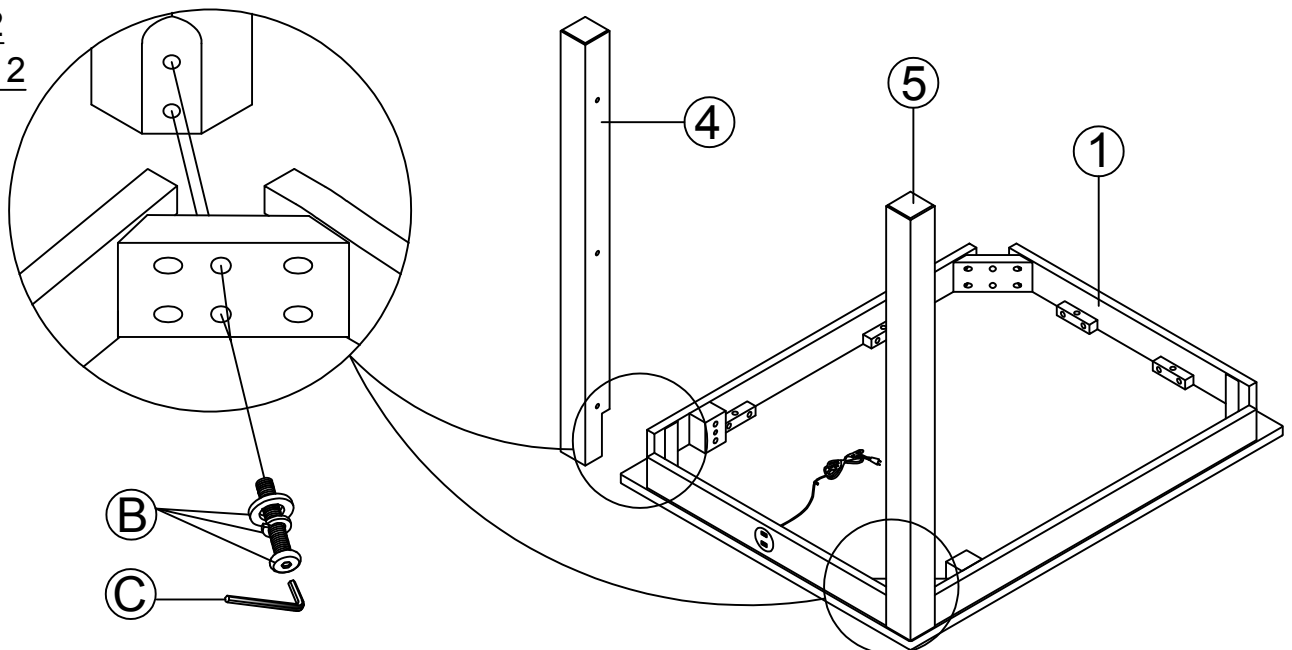
***Avertissement: veuillez lire toutes les instructions attentivement avant de commencer l'assemblage. Ces pièces sont encombrantes et lourdes. Il est recommandé d'être deux personnes pour l'assemblage afin de prévenir des blessures et/ou risquer d'endommager les pièces.

STEP 1
ÉTAPE 1



Open table storage panel. Attach table shelf to the table storage panel. Insert screw to the shelf bracket use screwdrivers (Not Included) tighten all screws & bolts all steps

STEP 2
ÉTAPE 2

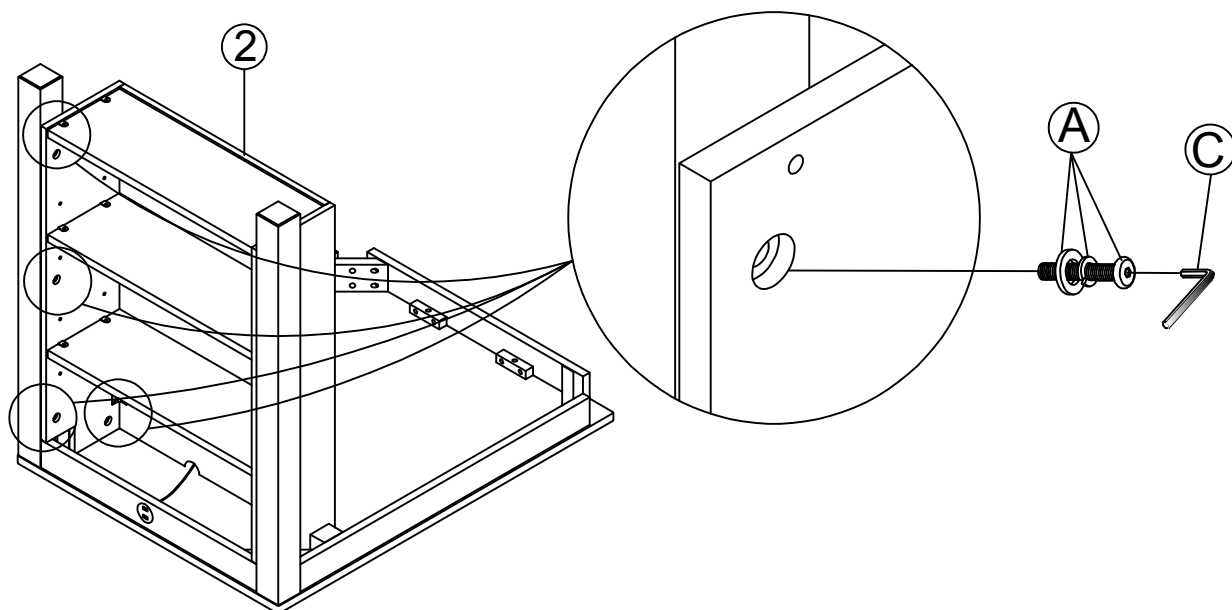


Attach the storage left and right leg to table top.
Note: Do not tighten all screws & bolts until the table is fully assembly.

***Caution: Please read all instructions carefully before starting the assembly process. These parts are cumbersome and heavy. Therefore, two people are recommended in order to prevent personal injury and ensure the parts are not damaged during the assembly.

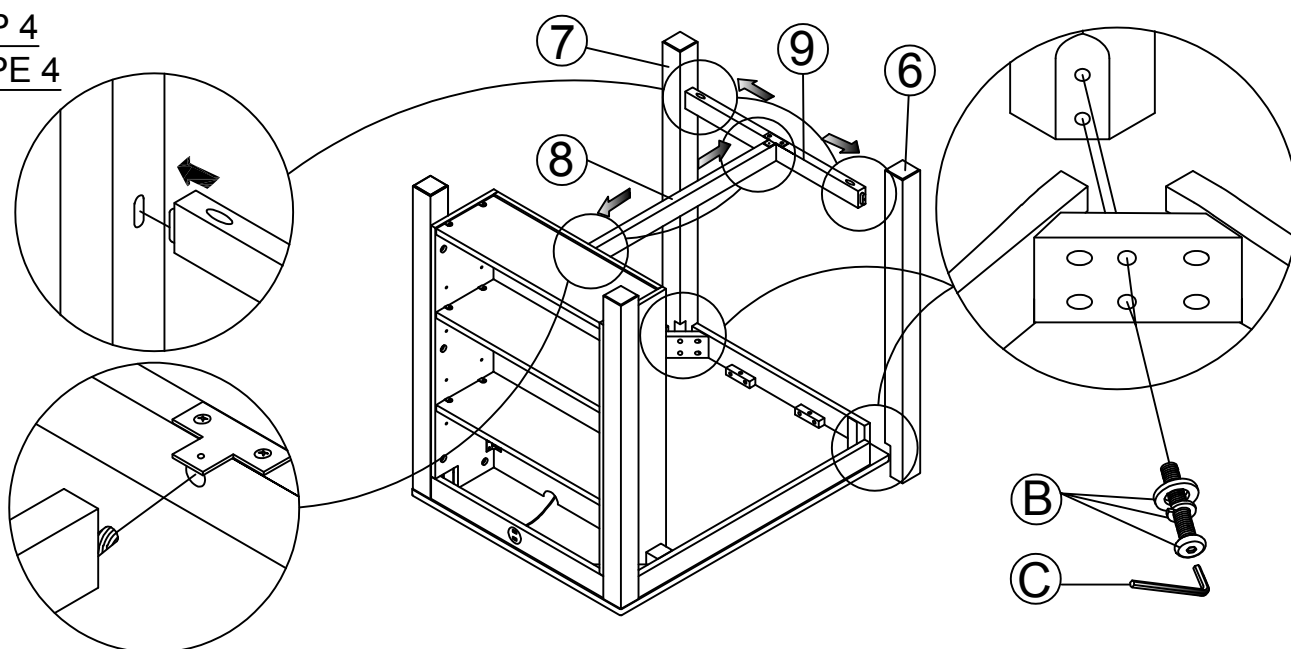
***Avertissement: veuillez lire toutes les instructions attentivement avant de commencer l'assemblage. Ces pièces sont encombrantes et lourdes. Il est recommandé d'être deux personnes pour l'assemblage afin de prévenir des blessures et/ou risquer d'endommager les pièces.

STEP 3
ÉTAPE 3



Attach the table storage panel to storage leg and table top.
Note: Do not tighten all bolts until the table is fully assembly.

STEP 4
ÉTAPE 4



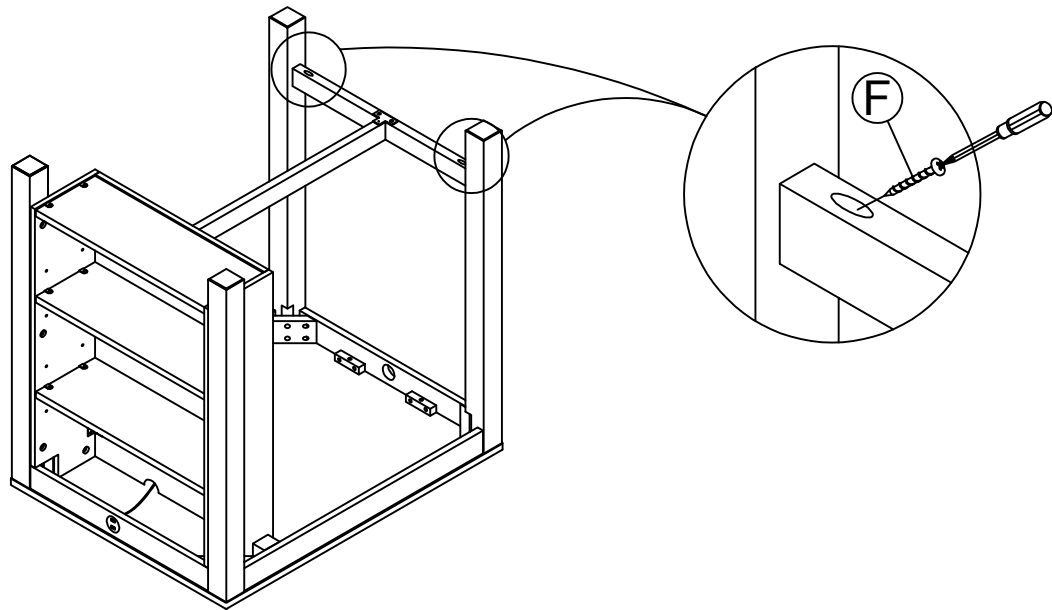
Attach table leg to the table top. Insert short stretcher in the middle two table leg, long stretcher in the middle the short stretcher and table storage panel.

Note: Do not tighten all bolts until the table is fully assembly.

***Caution: Please read all instructions carefully before starting the assembly process. These parts are cumbersome and heavy. Therefore, two people are recommended in order to prevent personal injury and ensure the parts are not damaged during the assembly.

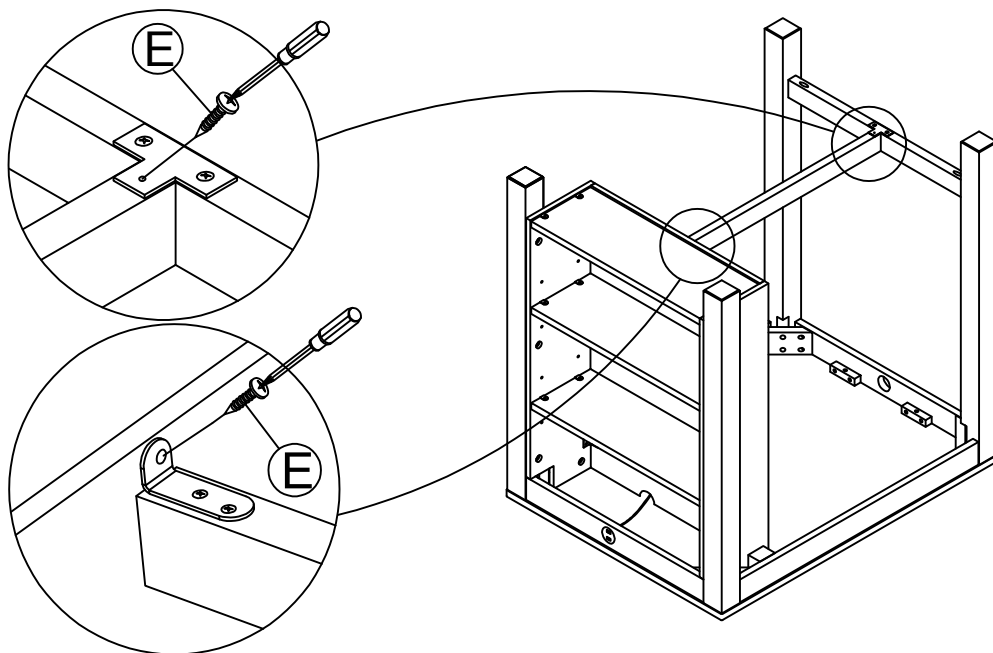
***Avertissement: veuillez lire toutes les instructions attentivement avant de commencer l'assemblage. Ces pièces sont encombrantes et lourdes. Il est recommandé d'être deux personnes pour l'assemblage afin de prévenir des blessures et/ou risquer d'endommager les pièces.

STEP 5
ÉTAPE 5



Insert screw to the stretcher use screwdrivers(Not included).
Do not tighten all screws & bolts until the table is fully assembly.

STEP 6
ÉTAPE 6



Insert screw to the stretcher use screwdrivers(Not included).
Do not tighten all screws & bolts until the table is fully assembly.