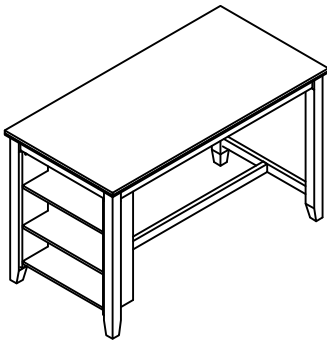


Caution: Please read instructions thoroughly before unpacking assembly parts. Sharp, exposed staple tips can cause injury, therefore, for your protection, please remove any exposed staple used in packing.

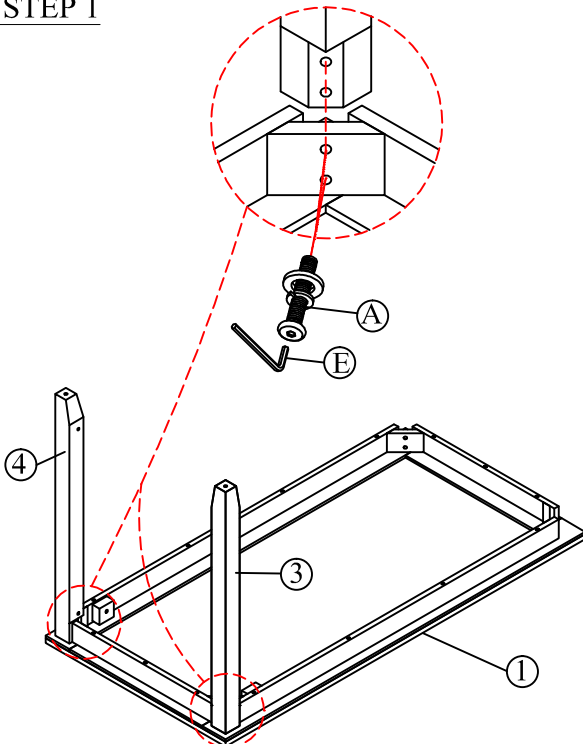
1. We recommend that you should assemble this product with the assistance of another person; this will make assembly easier, and will help to eliminate damage to the product or injury to persons during assembly.
2. Be sure to check all packing materials carefully for small parts that may have come loose inside the carton during shipment.
3. Please do not over tighten screws or bolts.
4. Please put all parts on a non-abrasive floor before assembly, and follow the assembly steps to assemble your newly purchased product correctly and efficiently.



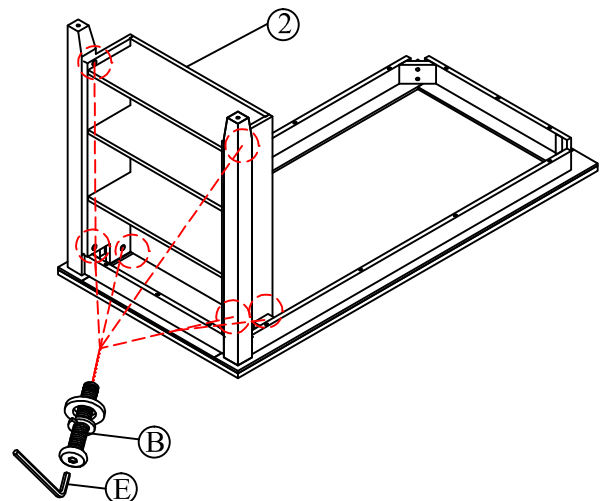
HARDWARE LISTS			
NO.	OUTLOOK	SIZE	Q'TY
A		JCBC Bolt 5/16"*18*2-3/8"	8PCS
		Lock washer 5/16"	8PCS
		Flat washer 5/16"x19mm*2mm	8PCS
B		JCBC Bolt 1/4"*20*1-1/2"	6PCS
		Lock washer 1/4"	6PCS
		Flat washer 1/4"x13mm*2mm	6PCS
C		SCREW #4*1-3/4"	3PCS
D		SCREW #3*1/2"	1PC
E		Allen key 4mm	1PC
		Not supplied	

PART LISTS			
NO.	Sketch	Description	Q'TY
1		TABLE TOP	1PC
2		CABINET	1PC
3		CABINET LEFT LEG	1PC
4		CABINET RIGHT LEG	1PC
5		TABLE LEFT LEG	1PC
6		TABLE RIGHT LEG	1PC
7		SHORT STRETCHER	1PC
8		LONG STRETCHER	1PC

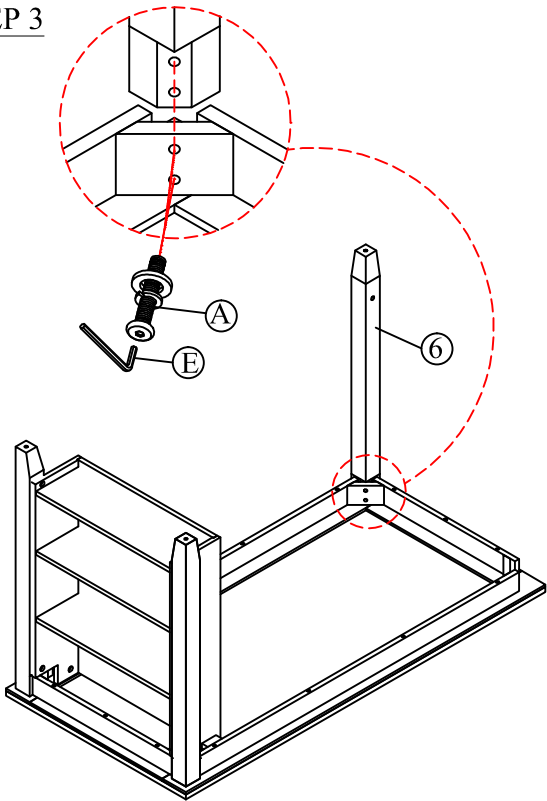
STEP 1



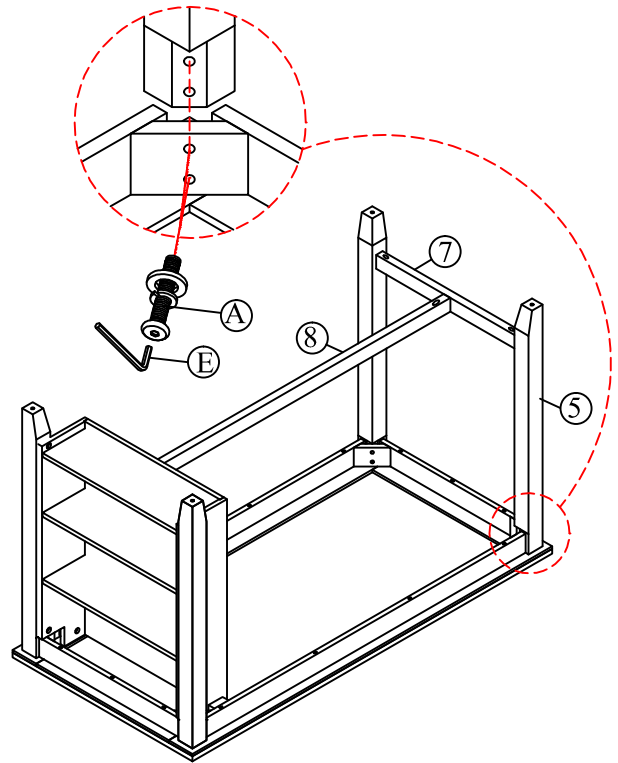
STEP 2



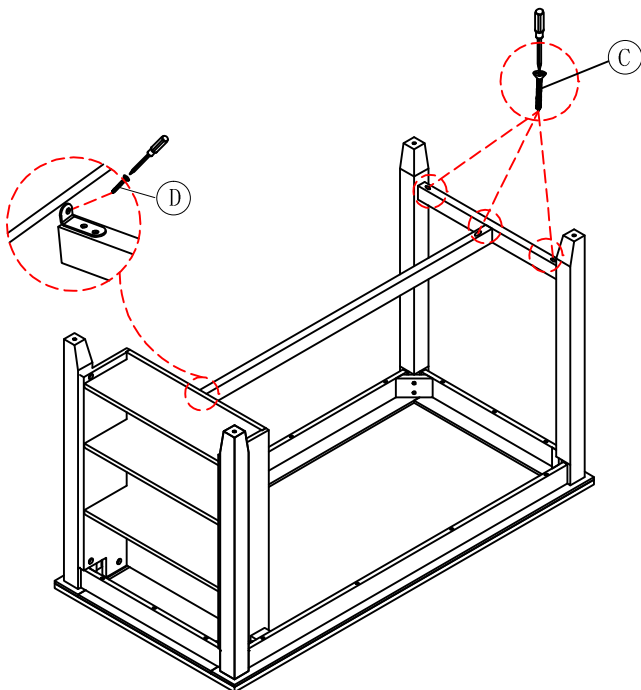
STEP 3



STEP 4



STEP 5



Completed

