



ASSEMBLY INSTRUCTION

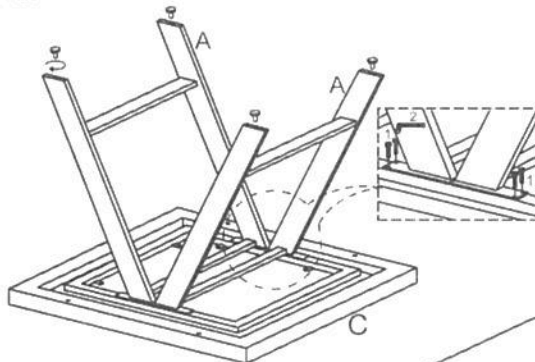
RQUE 6046T CNT HGT TABLE SKU#:43160465

Thank you for purchasing this quality product. Be sure to check all packing material carefully for small parts, which may have come loose inside the carton during shipment. Identify and count all parts and compare with the HARDWARE LIST below.

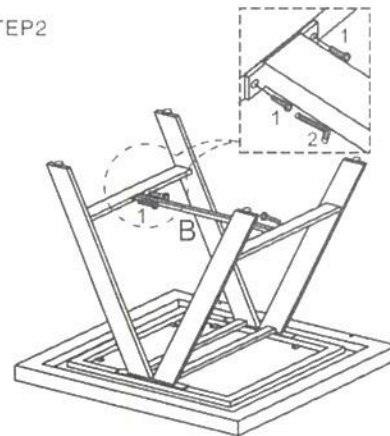
Caution: Please read instructions thoroughly before unpacking assembly parts. Sharp, exposed staple tips can cause injury, therefore, for your protection, please remove any exposed staples used in packing.

1. We recommend that you should assemble this product with the assistance of another person, this will make assembly easier, and will help to eliminate damage to the product or injury to persons during assembly.
2. Please do not over tighten screws or bolts until the assembly is completed.
3. Please put all parts on a non-abrasive floor before assembly, and follow the assembly steps to assemble your newly purchased product correctly and efficiently.

STEP1



STEP2



Please follow below instruction if need the 2 tables connect together.



HARD WARE LIST

NO	DESCRIPTION	QTY
1	BOLT 1/4x15MM	14PCS
2	ALLEN WRENCH 4MM	1PC
3	BRACKET	2PCS

PART LIST

NO	DESCRIPTION	SKETCH	QTY
A	TABLE LEG		2PCS
B	CONNECT BAR		1PC
C	TABLE TOP		1PC

from second table

MADE IN CHINA