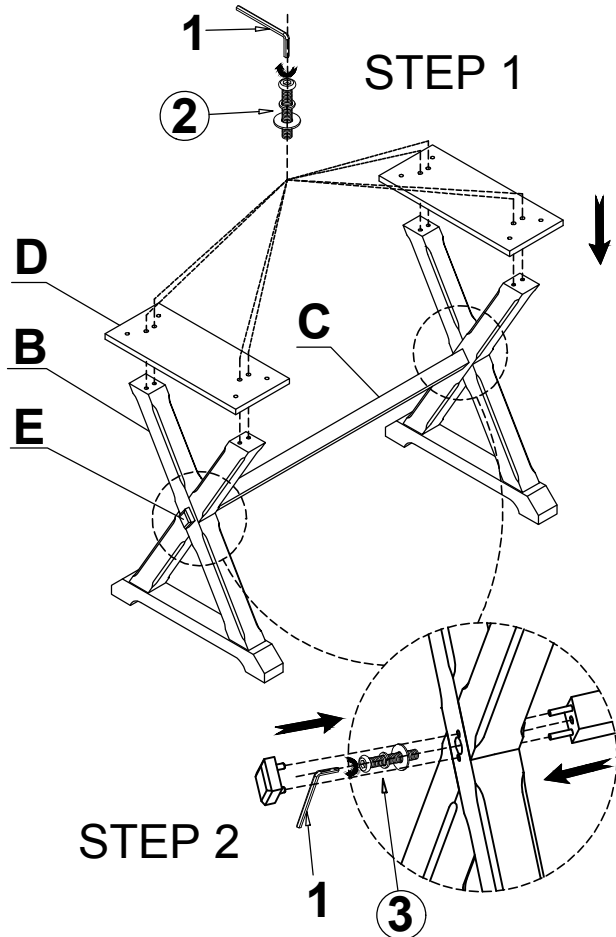
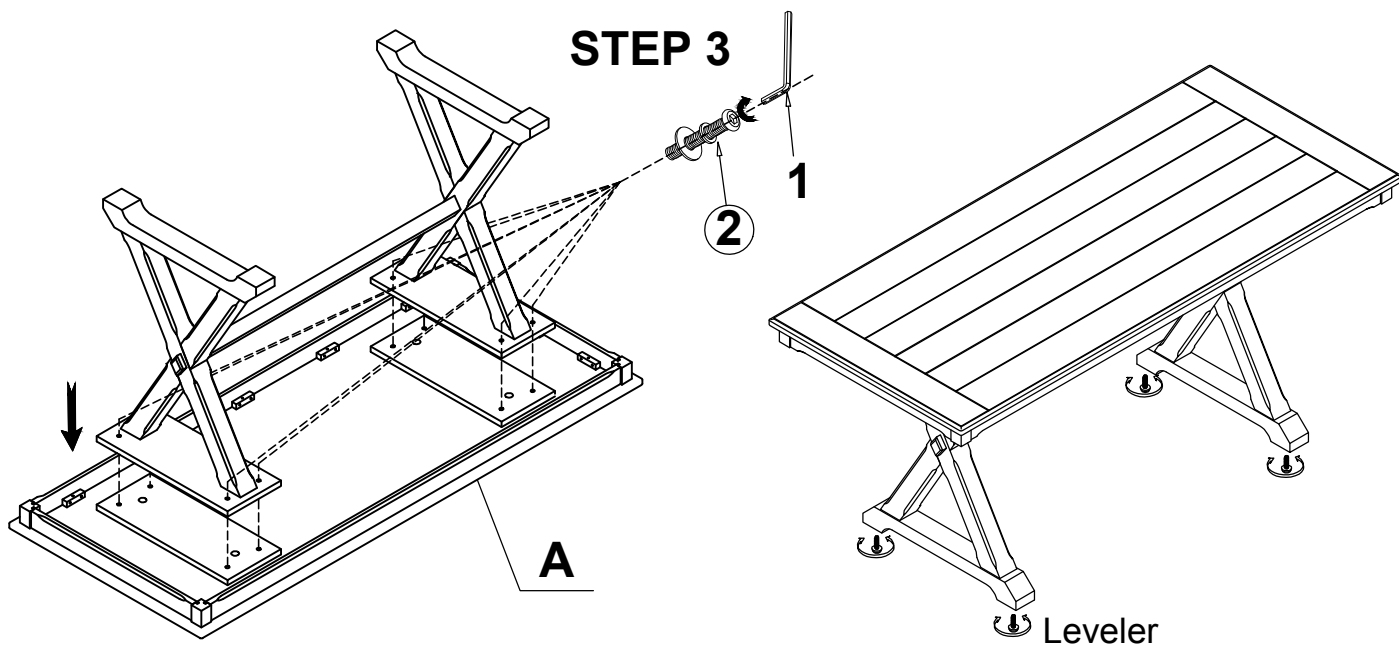


Thank you for purchasing this quality product. Be sure to check all packing material carefully for small parts, which may have come loose inside the carton during shipment. Identify and count all parts and compare with the part list below.



No.	Parts List		
A		Table Top	1 piece
B		Table legs	2 pieces
C		Stretchers	1 piece
D		Mounting Plates	2 pieces
E		Wood Plugs	2 pieces

Hardware List			
1		ALLEN KEY (L57*4MM)	1 piece
2		BOLT Ø5/16*1-3/4"	16 pieces
		SPRING WASHER Ø5/16*13*1.2	16 pieces
		FLAT WASHER Ø5/16*19*1.8	16 pieces
3		BOLT Ø5/16*3"	2 pieces
		SPRING WASHER Ø5/16*13*1.2	2 pieces
		FLAT WASHER Ø5/16*19*1.8	2 pieces



CLEANING INSTRUCTION: Clear with a soft cloth and warm water with a diluted mild detergent. Follow with a soft cloth and clear water rinse. Then dry thoroughly with a soft cloth.