



# ASSEMBLY INSTRUCTIONS

ITEM NO.: 14471 COUNTER HEIGHT TRESTLE TABLE W/ LAZY SUSAN  
43214472

**Read instructions carefully prior to assembly.**

Thank you for purchasing this quality product. Check carefully for small parts which may come loose during shipment. Remove all components from pack and place top down on soft surface such as carpet or cloth to prevent scratching the finish. Identify and count all parts as specified below.

**It is recommended to use two or more person during the assembly process.**

## HARDWARE LIST:

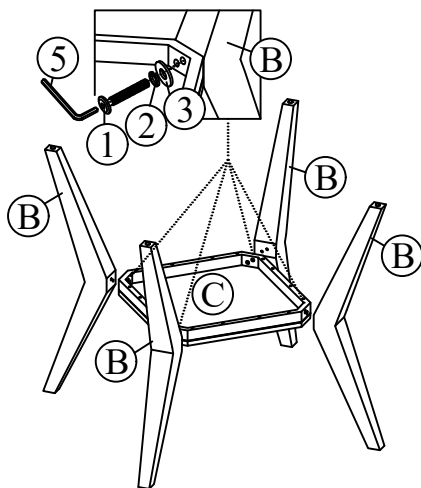
No.	Description	Sketch	Size	Qty'
1	Allen Bolt		Ø 1/4" x 40mm	12 pcs
2	Lock Washer		Ø 5/16" x 13mm	12 pcs
3	Flat Washer		Ø 5/16" x 19mm	12 pcs
4	Screw		Ø4 x 25 mm	24 pcs
5	Allen Key		4 mm	1 pc

## PART LIST:

No.	Description	Sketch	Qty'
A	Table Top		1 pc
B	Table Leg		4 pcs
C	Shelf		1 pc
D	Mounting Plate		1 pc

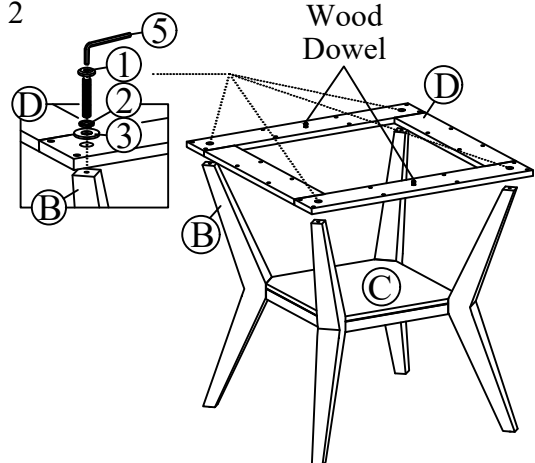
**NOTE: DO NOT CUT THE STRING ATTACHED AT ROTATION PLATE UNTIL FINISH ASSEMBLY.**

### Step 1



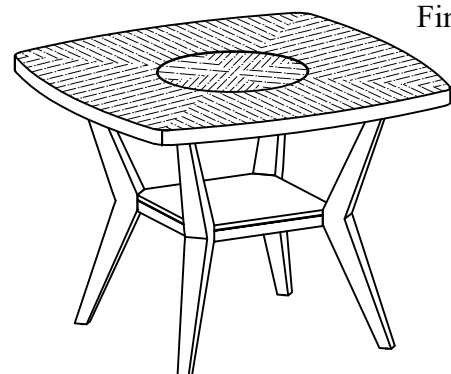
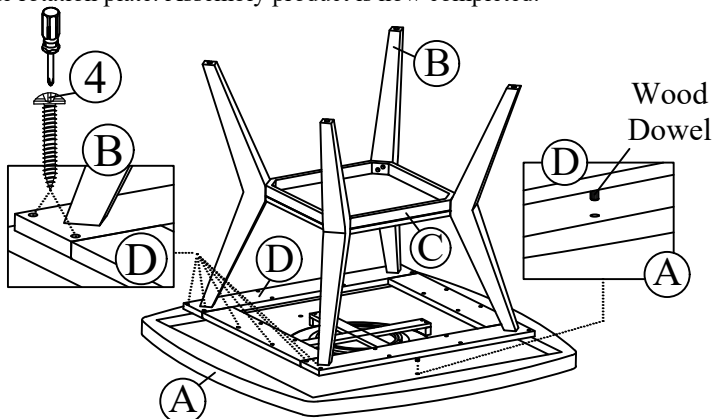
**Step 1:** Turn up the Shelf (C) and four Table Legs (B). Attach the Table Legs to the Shelf (C) by inserting Allen Bolt (1), Lock Washer (2), Flat Washer (3) and tighten with Allen Key (5). Do not fully tighten.

### Step 2



**Step 2:** Turn the Assembly from Step 1 to upright position. Attach the Mounting Plate (D) to the Table Legs (B) by inserting Allen Bolt (1), Lock Washer (2), Flat Washer (3) and fully tighten all Bolts in Step 1&2 at this time with Allen Key (5). Do not over tighten.

**Step 3:** Turn up the Table Top (A) and the Assembly from Step 2. Attach this Assembly to the Table Top by aligning the Wood Dowels on the Mounting Plate (D) to the Holes on the Table Top. Inserting the Screw (4) to the Holes on the Mounting Plate and secure with Phillip-head screw drivers (not provided) as picture below. Turn the Table to upright position. Cut the string attached at the rotation plate. Assembly product is now completed.



**Finish**

**Cleaning instructions:** Clean using soft cloth  
**Made in Vietnam**