

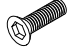



Assembly Instructions

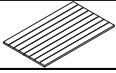




VICE 5693-1 FLIP TOP TABL SKU 43256937

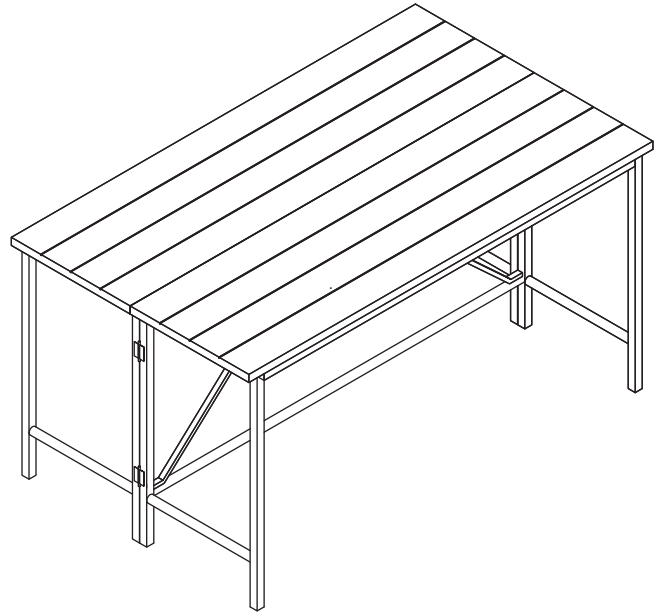
This product is manufactured by (VICE) for ROOMS TO GO®

Hardware List

NO.	DESCRIPTION		Q'TY
A		Ø1/4"x20x3/4" L Allen Bolt	6PCS
B		Ø1/4"x20x1" L Allen Bolt	2PCS
C		Ø1/4"x20x1-5/8" L Allen Bolt	6PCS
D		Allen Wrench(4mm)	1PC

Part List

NO.	DESCRIPTION	SKETCH	Q' TY
①	Table Top		1PC
②	Right Leg		1PC
③	Stretcher		1PC
④	Stretcher		2PCS
⑤	Left Leg		1PC



Hardware Pack Location(s):

5693-1 Flip Top Tabl,SKU# 43256937

Assembly Instructions

VICE

5693-1 FLIP TOP TABL

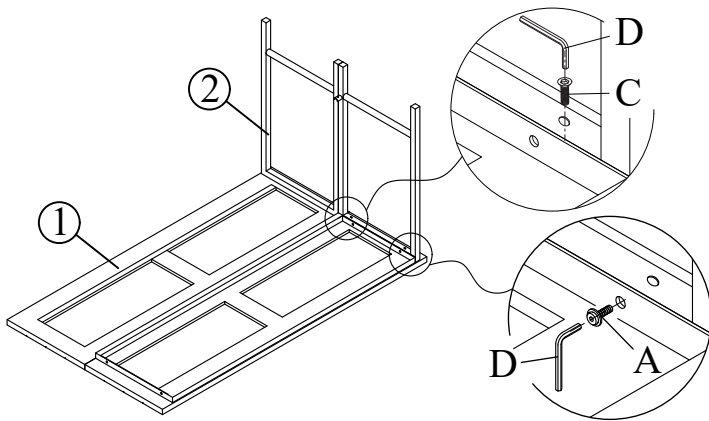
SKU

43256937

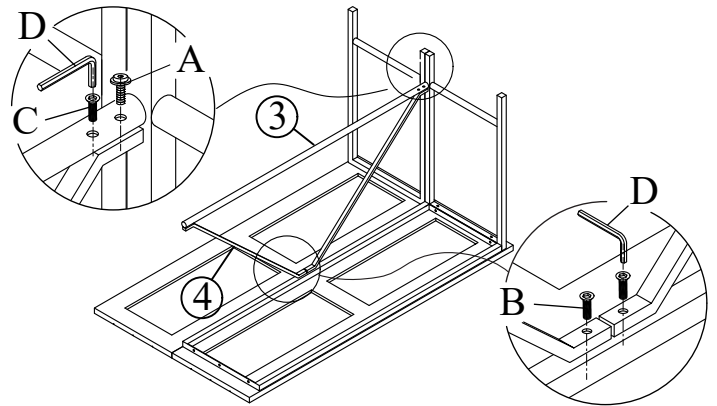
This product is manufactured by (VICE) for **ROOMS TO GO** 

- Step 1, Attach Right Leg (2) to Table Top (1) using Allen Bolt (A) and Allen Bolt (C) ;
Step 2, Attach Stretcher (3) (4) to the Right Leg (2) and Table Top (2) using Allen Bolt (A), (B) , (C) and Allen Wrench (D) ;
Step 3, Attach Left Leg (5) , Table Top (1) to the Stretcher (3) and (4) using Allen Bolt (A), (C) and Allen Wrenc (D)

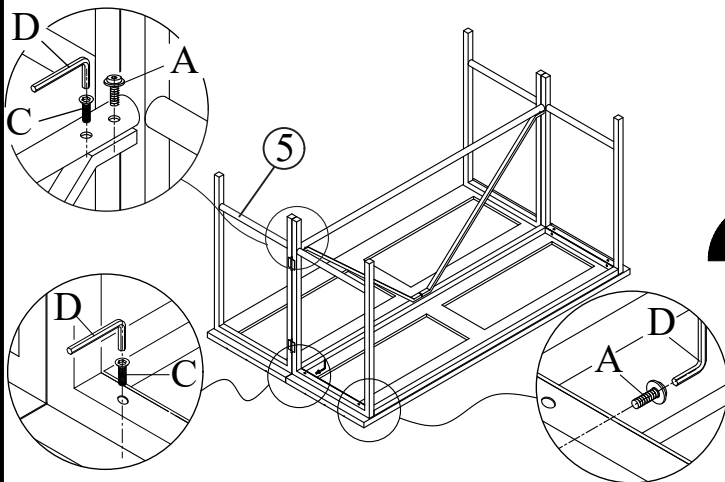
Step 1:



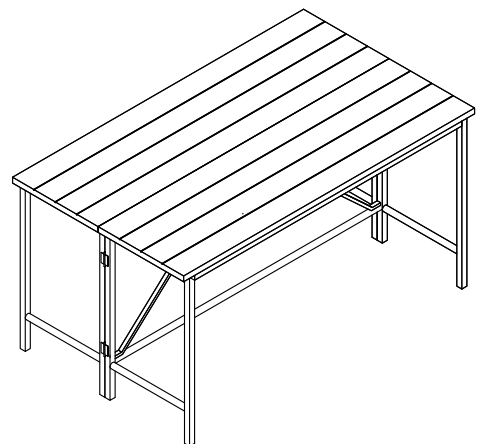
Step 2:



Step 3:



Step 4:



Hardware Pack Location(s):

5693-1 Flip Top Tabl,SKU# 43256937