
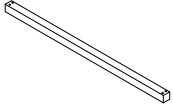
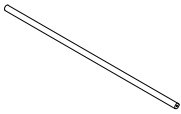
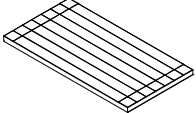


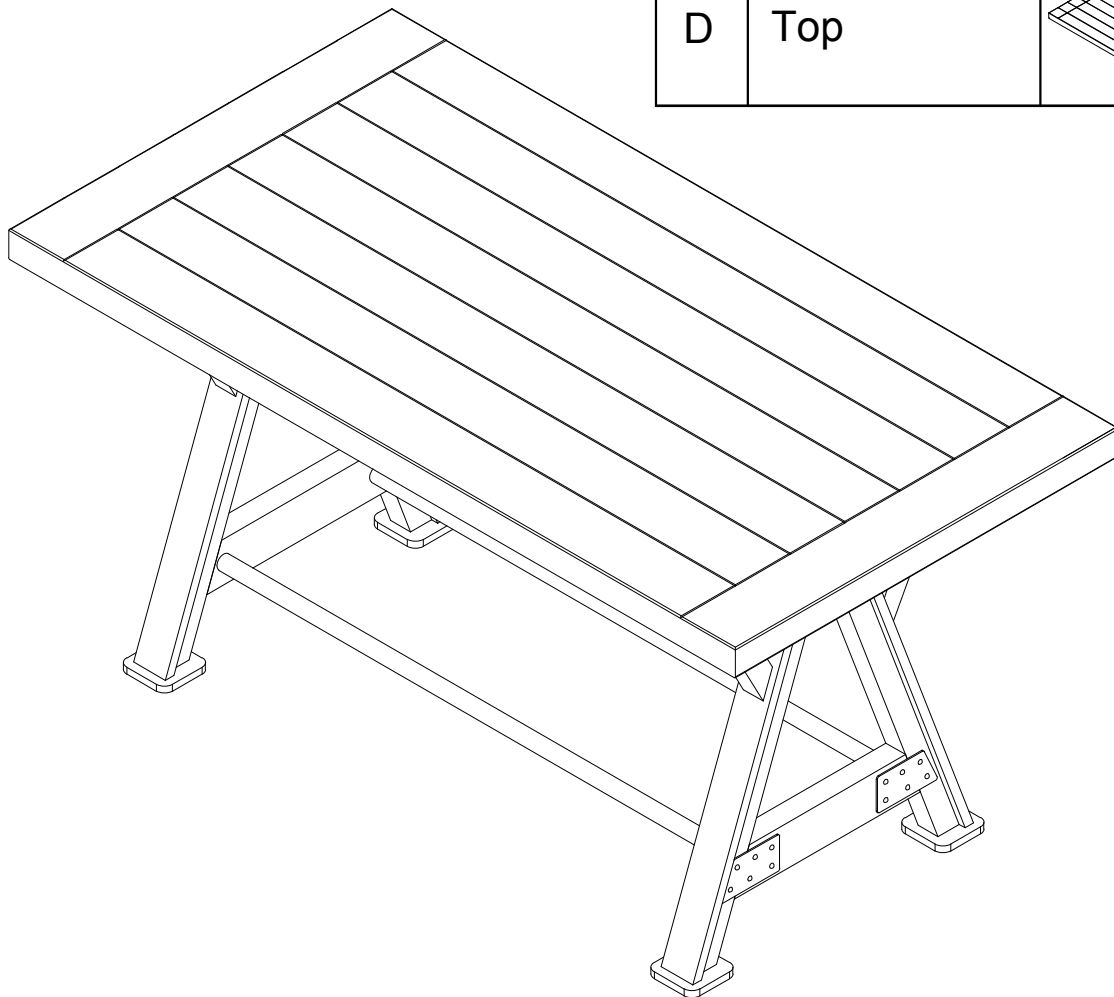
ASSEMBLY INSTRUCTION

CYEW 7506-6 CNT HT TABLE TOP SKU# 43275064
 CYEW 7506-7 CNT HT TABLE BASE SKU# 43375066

*** Caution : please read all instructions carefully before starting the assembly process. These parts are cumbersome and heavy. Therefore, two people are recommended in order to prevent personal injuri and insure the parts are not damaged during the assembly

NO.	Hardware list		Q'TY
1		BOLT (1/4"*20*3/4") LOCK WASHER (1/4") FLAT WASHER(1/4"*13mm)	20
2		4MM HEX WRENCH	1

NO.	DESCRIPTION	DRAWING	Q' TY
A	Leg		2pcs
B	Upper Stretcher		1pc
C	Lower Stretcher		2pcs
D	Top		1pc



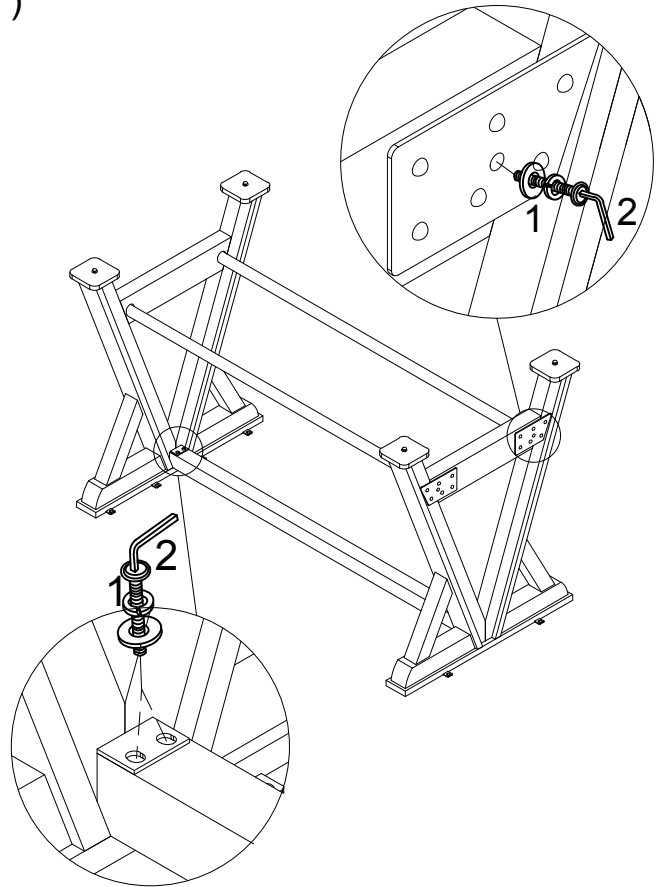
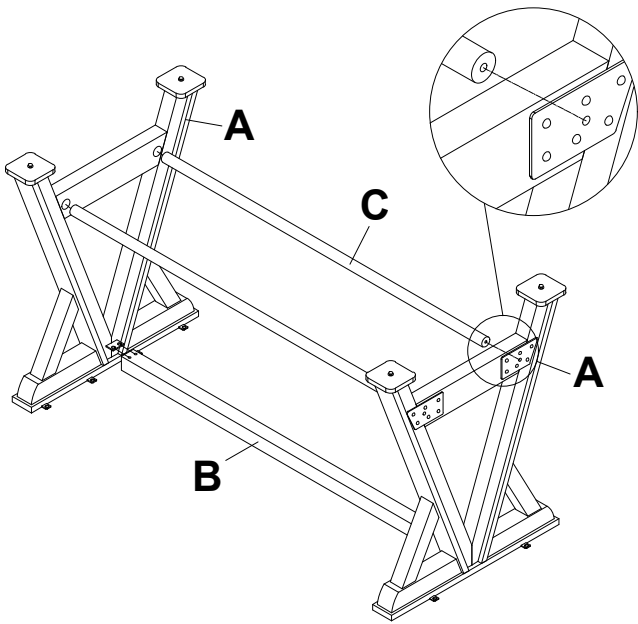
NOTE:DO NOT FULL TIGHTEN BOLTS UNTIL PARTS COMPLETE ASSEMBLED

Cleaning instructions:Clean using soft cloth

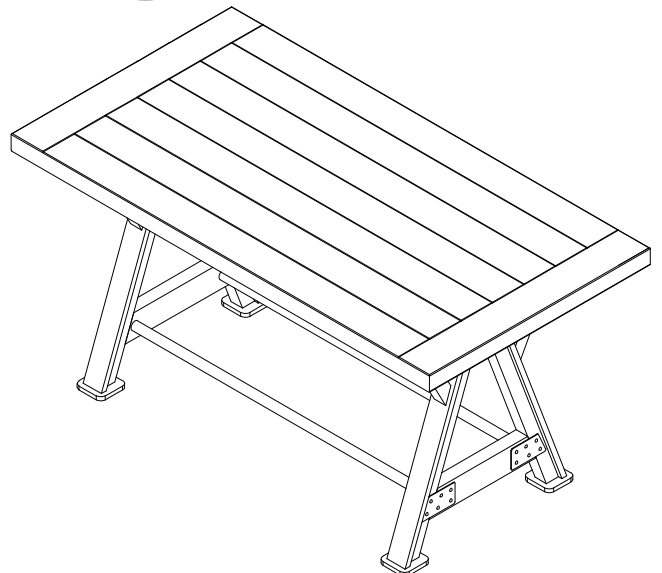
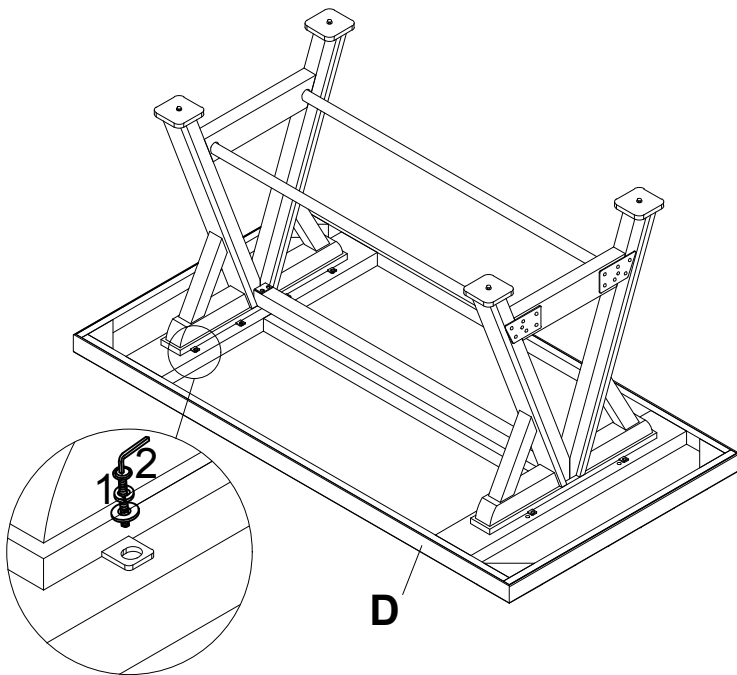
Made in Viet Nam

*** Caution : please read all instructions carefully before starting the assembly process. These parts are cumbersome and heavy. Therefore, two people are recommended in order to prevent personal injury and insure the parts are not damaged during the assembly

STEP : 1 Insert upper stretcher (C) , lower stretcher (B) into leg (A) first at the same time . This is very important . Then screw bolts (1) as figure showed by allen key (3)
Screw bolts (2) as figure showed by allen key (4)



STEP : 2 Assemble base with top (D) by bolt (1)



NOTE:DO NOT FULL TIGHTEN BOLTS UNTIL PARTS COMPLETE ASSEMBLED

Cleaning instructions:Clean using soft cloth

Made in Viet Nam