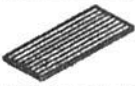






ASSEMBLY INSTRUCTIONS




ITEM#: 282/273-128T/B
 S272/S273-128A/B
 DESCRIPTION: BAR TABLE

Thank you for purchasing this quality product. Be sure to check all packing materials carefully for small parts that may come loose inside the carton during shipment.

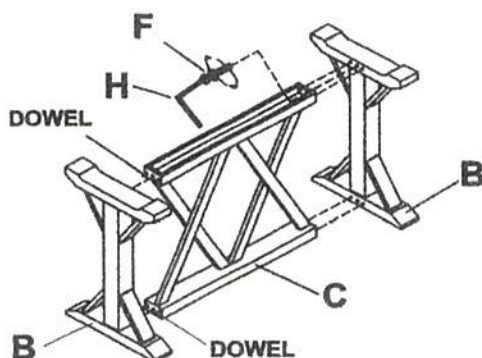
PARTS LIST

No.	Drawing	Description	Qty
A		Table Top	1pc
B		End Frame	2pcs
C		Middle Frame	1pc
D		Metal Footrest Stretcher	2pcs
E		End Metal Footrest	2pcs

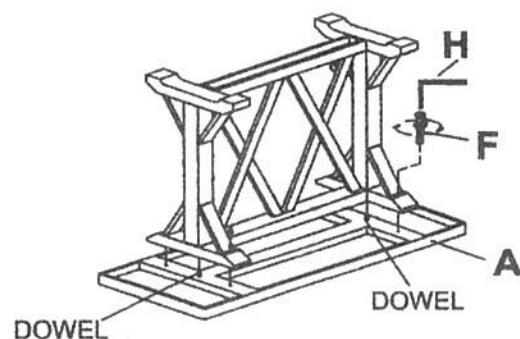
HARDWARE LIST

No.	Drawing	Description	Size	Qty
F		Allen Bolt with Washers	$\text{Ø}\frac{1}{4} \times 1\frac{3}{4}$ "	8pcs
G		Flat Head Bolt	$\text{Ø}\frac{1}{4} \times \frac{5}{8}$ "	20pcs
H		Allen Wrench	$\text{Ø}\frac{1}{4}$ "	1pc

Step 1



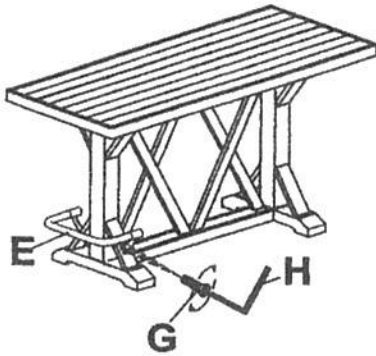
Step 2



ASSEMBLY INSTRUCTIONS

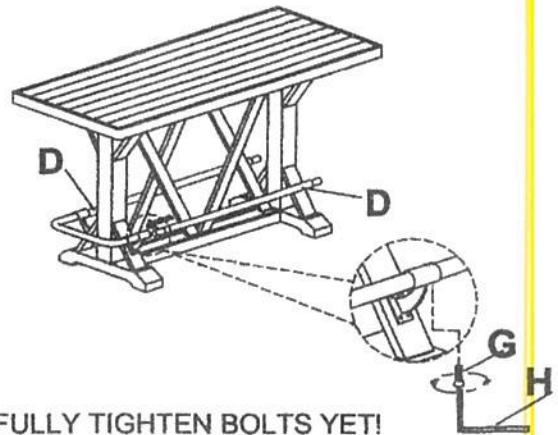
ITEM#: 282/273-128T/B
S272/S273-128A/B
DESCRIPTION: BAR TABLE

Step 3



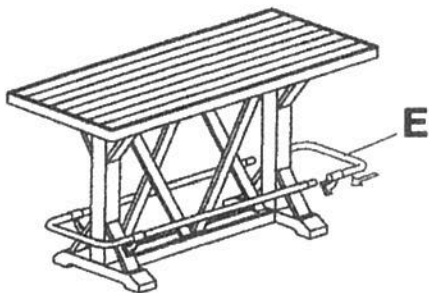
DO NOT FULLY TIGHTEN BOLTS YET!

Step 4

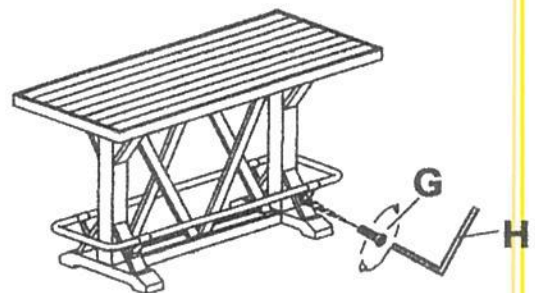


DO NOT FULLY TIGHTEN BOLTS YET!

Step 5

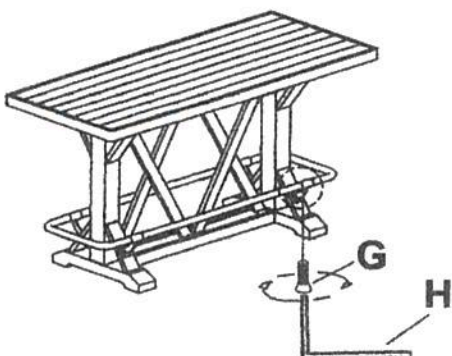


Step 6



DO NOT FULLY TIGHTEN BOLTS YET!

Step 7



DO NOT FULLY TIGHTEN BOLTS YET!

Step 8



ADJUST ALL PARTS OF METAL FOOTREST IN PLACE AND FULLY TIGHTEN ALL BOLTS!