

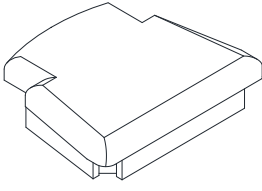
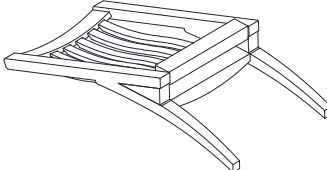
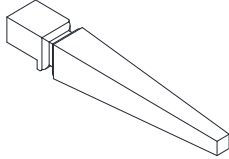
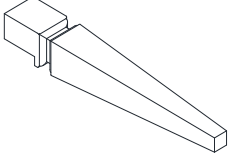
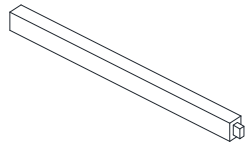
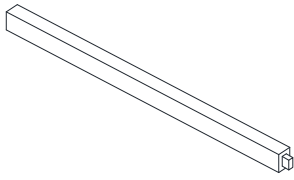
ASSEMBLY INSTRUCTION

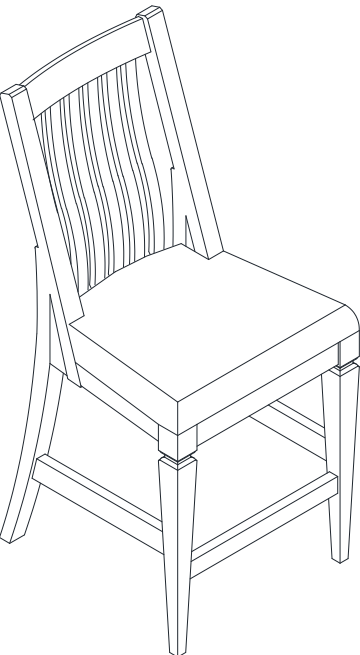
SIEL

1372-946 COUNTER HEIGHT CHAIR / 1373-946 COUNTER HEIGHT CHAIR

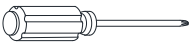
SKU# 43413727 / SKU# 43413739

Step	Code	Hardware	Qty.
1	#6	Wood Screw - #8 X 1-1/4"	2 PCS
2	#1	Bolt - Ø5/16" X 18 X 3"	4 PCS
	#2	Bolt - Ø5/16" X 18 X 1-1/2"	2 PCS
	#4	Lock Washer - Ø5/16"	6 PCS
	#5	Flat Washer - Ø5/16" X 7/8"	6 PCS
3	#6	Wood Screw - #8 X 1-1/4"	2 PCS
4	#3	Bolt - Ø5/16" X 18 X 2-1/2"	4 PCS
	#4	Lock Washer - Ø5/16"	4 PCS
	#5	Flat Washer - Ø5/16" X 7/8"	4 PCS
	#6	Wood Screw - #8 X 1-1/4"	2 PCS
2+4	#7	Open Wrench - Ø5/16"	1 PC

Parts

A. Chair Cushion - 1 PC

B. Chair Back - 1 PC

C. Left Front Leg - 1 PC

D. Right Front Leg - 1 PC

E. Front Stretcher - 1 PC

F. Side Stretcher - 2 PCS



TOOLS REQUIRED (NOT PROVIDED)

Description	Sketch
Phillips screwdriver	

Hardware pack location (s):

COUNTER HEIGHT CHAIR SKU# 43413727

COUNTER HEIGHT CHAIR SKU# 43413739

This product is manufactured by (SIEL) for



ASSEMBLY INSTRUCTION

SIEL

1372-946 COUNTER HEIGHT CHAIR / 1373-946 COUNTER HEIGHT CHAIR

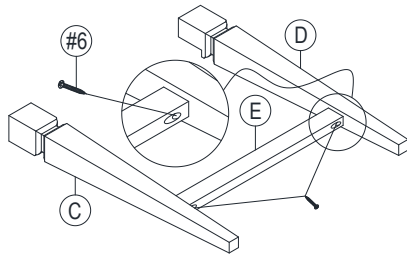
SKU# 43413727 / SKU# 43413739

*** Caution please read all instruction carefully before starting the assembly process. These parts are cumbersome and heavy. Therefore, two people are recommended in order to prevent personal injury and ensure the parts are not damaged during assembly.

Chair Leveling Instruction:

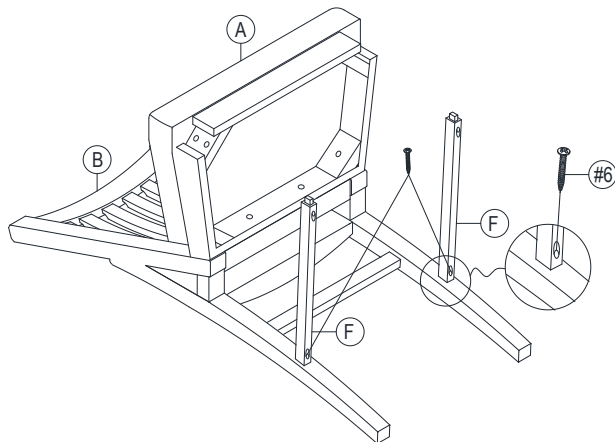
**** Do not tighten all the bolts until the chair is on a flat surface to adjust & level all the legs so that they do not wobble. Once adjusted then tighten all the bolts. Do not over tighten.

STEP 1:



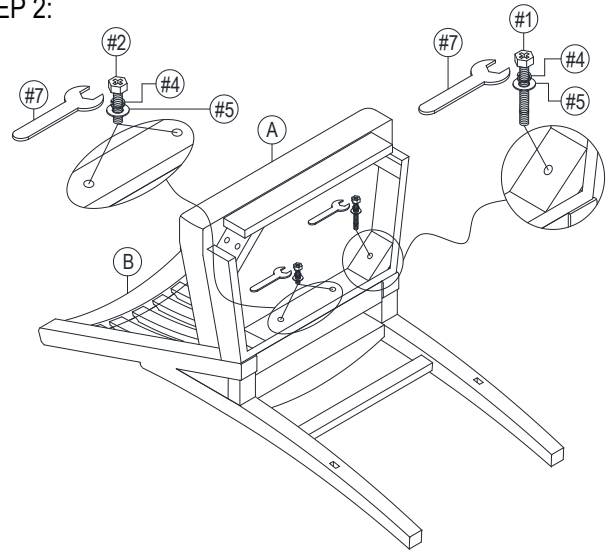
*** Assemble the front stretcher (E) to the front left and right leg (C, D) using hardware (#6) as shown.

STEP 3:



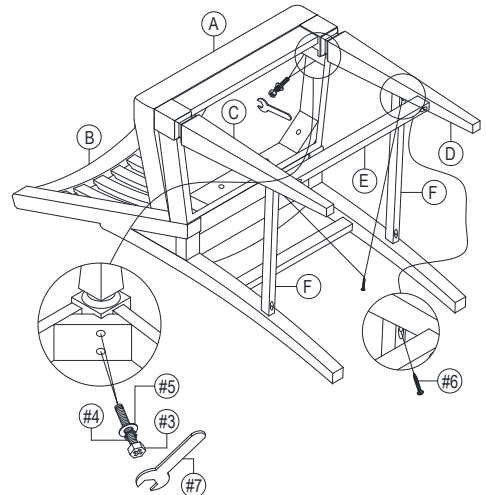
*** Assemble the side stretcher (F) to the chair back (B) using hardware (#6) as shown.

STEP 2:



*** Assemble the chair cushion (A) to the chair back (B) using hardware (#1, #4, #5, #7) & (#2, #4, #5, #7) as shown.

STEP 4:



*** Assemble the front leg with front stretcher to the chair cushion (A) and side stretcher (F) using hardware (#3, #4, #5, #7) & (#6) as shown.

This product is manufactured by (SIEL) for



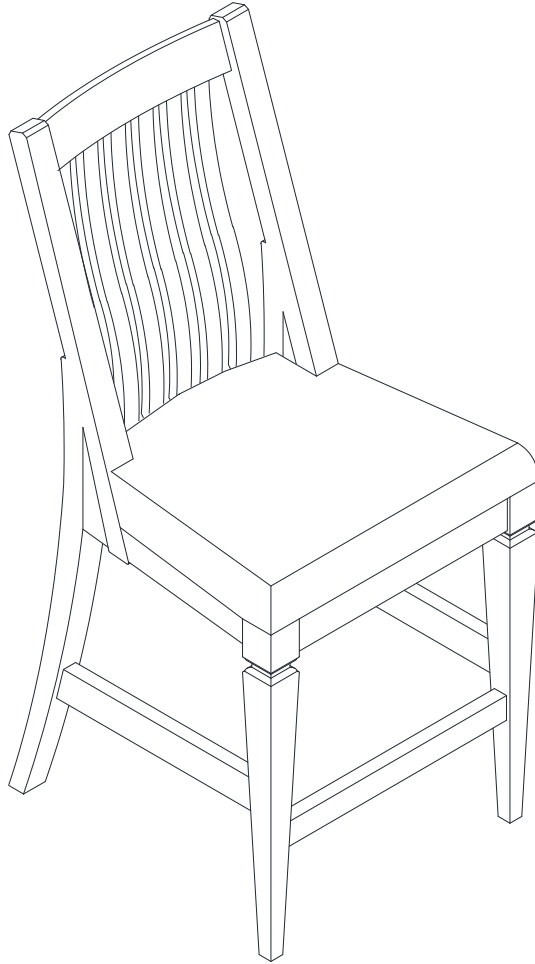
ASSEMBLY INSTRUCTION

SIEL

1372-946 COUNTER HEIGHT CHAIR / 1373-946 COUNTER HEIGHT CHAIR

SKU# 43413727 / SKU# 43413739

STEP 5:



***Turn the chair its upright position. Assembly is complete.

NOTE: Lay out all parts and hardware on a clean flat level surface. Make sure the part quantity is correct and the feet are free of stain, staples, screws, and nails.

This product is manufactured by (SIEL) for

