



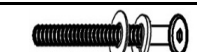
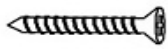



ASSEMBLY INSTRUCTIONS

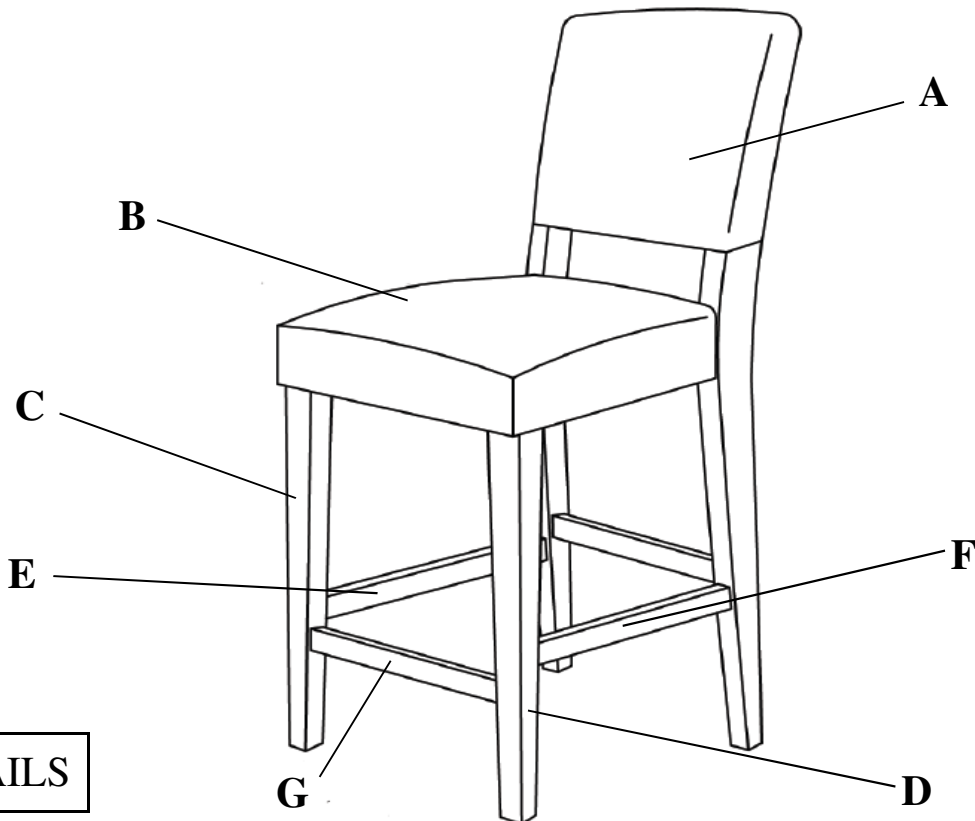
MODEL : 101-24

AXEL
101-24 COUNTER STOOL- SKU#43401013/ 43501015

Thank you for purchasing this quality product. Be sure to check all packing material carefully for small parts. Which may have come loose inside the carton during shipment. Identify and count all parts and compare with the hardware list as below:

Hardware List	No.	Picture	Description	Dimension	Qty
	1		JCBC (M6)	6 x P1.0 x 90mm	4 Pcs
	2		JCBC (M6)	6 x P1.0 x 60mm	4 Pcs
	3		JCBC (M6)	6 x P1.0 x 40mm	2 Pcs
	4		CSK Screw (M4)	4 x 40mm	6 Pcs
	5		Allen Wrench (M4)	4 x 60mm	1 Pc

Parts List	No.	Description	Qty
	A	Back Rest	1 Pc
	B	Seat Frame	1 Pc
	C	Front Left Leg	1 Pc
	D	Front Right Leg	1 Pc
	E	Left Stretcher	1 Pc
	F	Right Stretcher	1 Pc
	G	Front Stretcher	1 Pc

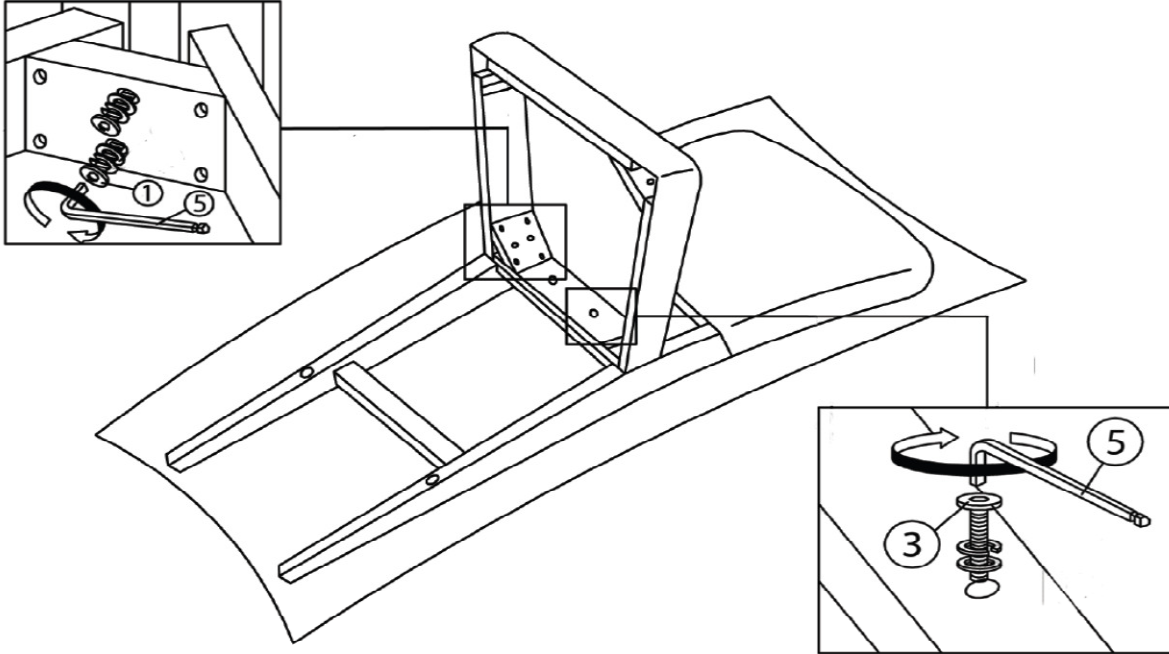


PARTS DETAILS

Assembly Step

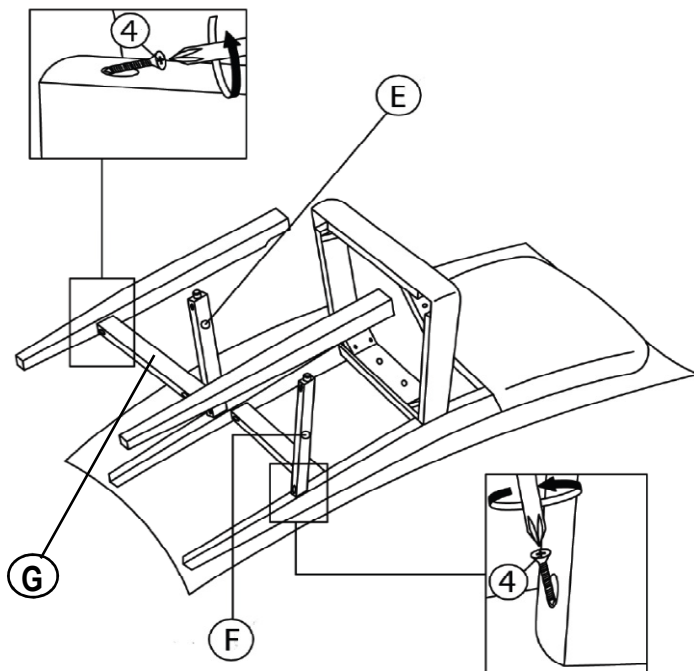
STEP 1

Assembly seat frame to the backrest



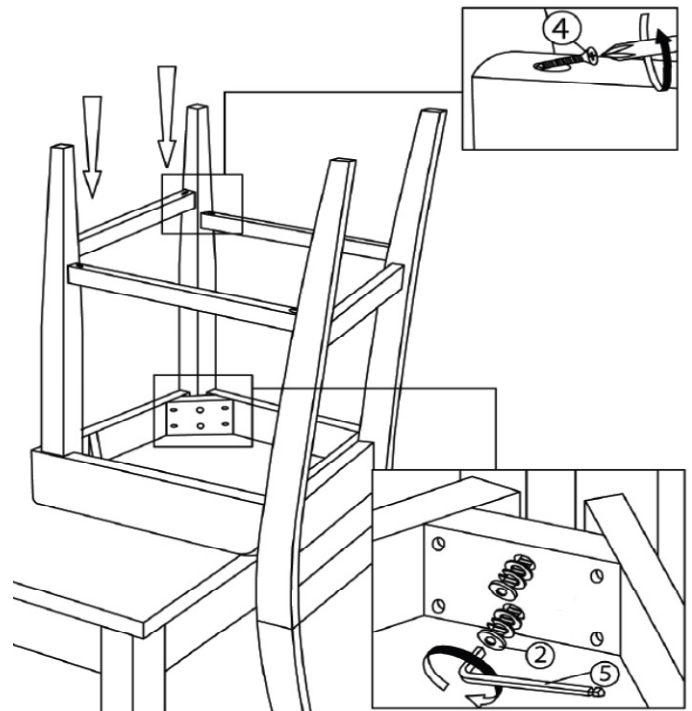
STEP 2

Assembly the stretcher by CSK Screw



STEP 3

Assembly the chair leg by JCBC



NOTE:

To ensure that chair is level, assemble the chair on flat & soft surface. **DO NOT** tighten all the screws & bolts until the chair been adjust & level all the legs so that they do not wobble. Once adjusted then only tighten all the screws using Allen Key while making sure that the unit remain level.