

# ASSEMBLY INSTRUCTION

EMRI 2582-24 SKU # 43425823  
 EMRI 2583-26 SKU # 43425835  
 EMRI 2581-29 SKU # 43425811  
**SLAT BACK COUNTER STOOL**

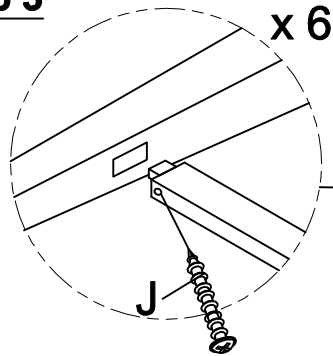
Thank you for purchasing this product. Be sure to check all packing materials carefully for small parts that may have come loose inside the carton during shipment.

**Before You Assemble:** Please read all instructions carefully before beginning assembly. It is recommended that 2 people work together during assembly to prevent personal injury and to ensure that heavy or cumbersome parts are not damaged during the process.

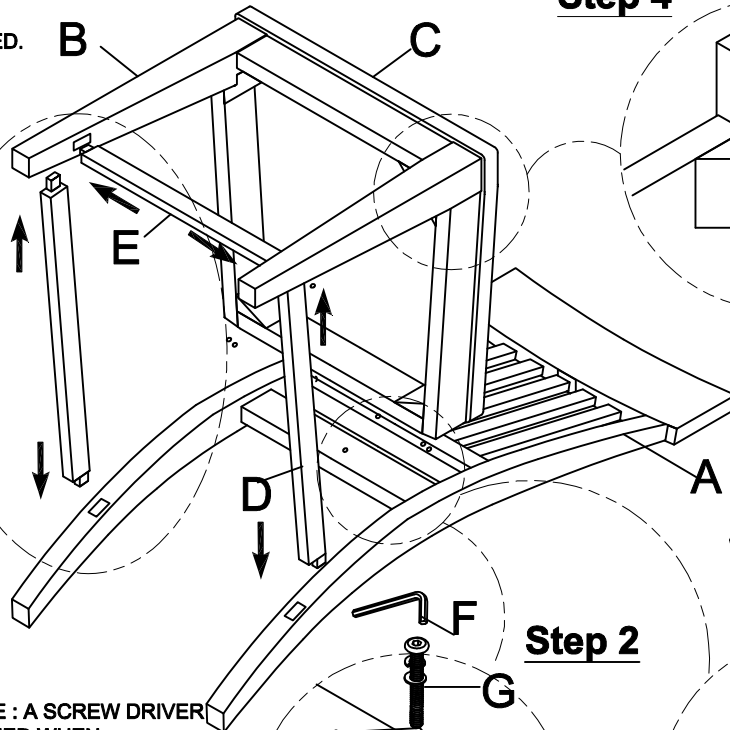
**CAUTION:** For your safety, this product requires two people to lift.

NOTE : WAIT TO TIGHTEN ALL COMPONENTS COMPLETELY UNTIL UNIT IS FULLY ASSEMBLED. THIS WILL ALLOW FOR EASIER ASSEMBLY.

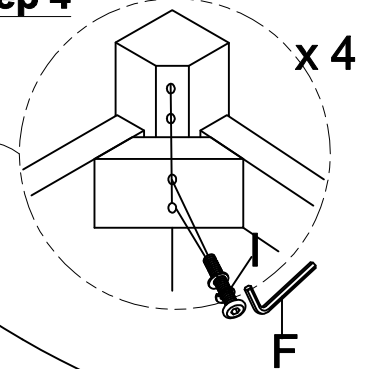
## Step 3



x 6

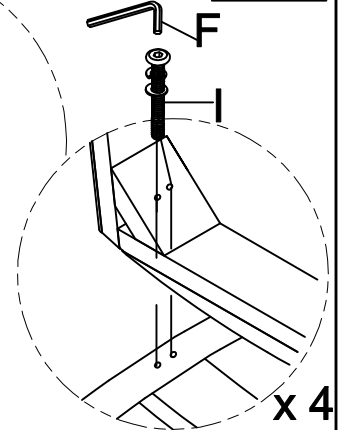


## Step 4



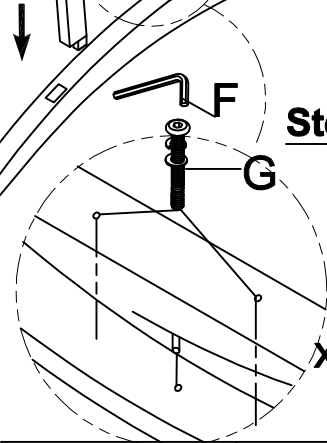
x 4

## Step 1



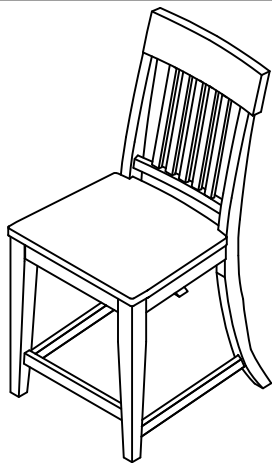
x 4

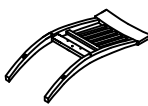
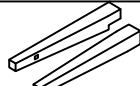

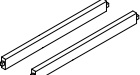

## Step 2




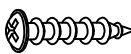


x 2

NOTE : A SCREW DRIVER IS NEED WHEN ASSEMBLE THIS PRODUCT (NOT INCLUDED IN THE HARDWARE PACK)



PICTURE	DESCRIPTION	Q'TY
A 	BACK CHAIR EHF # N/A	1pc
B 	FRONT LEGS L / R EHF # LEGS L/R	2pcs
C 	SEAT EHF # N/A	1pc
D 	SIDE STRETCHER L/R EHF # L/RSDST	2pcs
E 	FRONT STRETCHER EHF # FSDST	1pc

PICTURE	DESCRIPTION	Q'TY
F 	ALLEN KEY 20*60*4mm EHF # HDWR	1pc
G 	BOLT 5/16" *18* 1 3/4" EHF # HDWR	2pcs
I 	BOLT 5/16" 18* 3 1/4" EHF # HDWR	8pcs
J 	SCREWS 4 X 1 1/2" EHF # HDWR	6pcs