

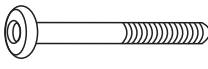

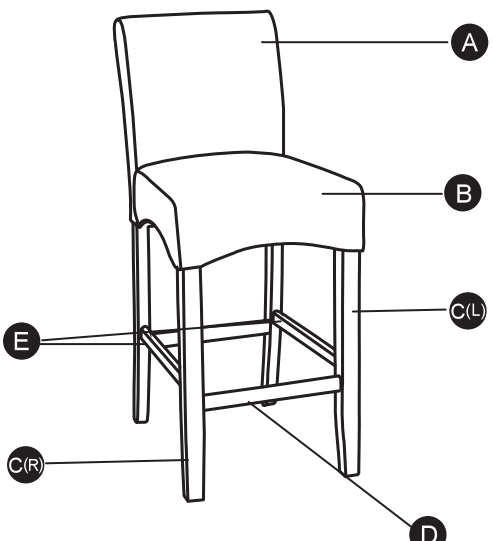
ASSEMBLY INSTRUCTION

TEAE 1861-2~1867-2 & 1861-3~1867-3(SKU#:43418614,43418626, 43418638,43418640,43418652,43418664,43418676,43018616, 43018628,43018630,43018642,43018654,43018666,43018678)

GENERAL INFORMATION

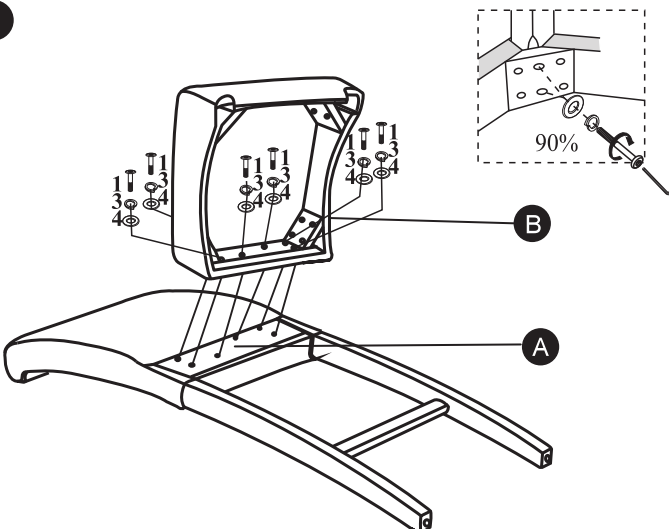
- 1) Please read this assembly instruction prior assembling. To avoid damage, assemble this product on a non-abrasive surface. Do not fully tighten any bolts until you are sure all component parts are assembled correctly.
- 2) Make sure all bolts are fully tightened before this product is used.
- 3) Non Abrasive cleaning product.
- 4) The fitting pack contains SMALL ITEMS which should be KEPT AWAY FROM YOUNG CHILDREN.

PARTS & HARDWARE LIST

A	Chair Back	1 PC	B	Seat	1 PC	 						
C	Front Leg	2 PCS	D	Front Stretcher	1 PC		1	Bolt: M8x60mm	10 PCS	2	Flat Head Screw 3.5x35mm	6 PCS
E	Side Stretcher	2 PCS										
						3	Spring Washer	10 PCS	4	Flat Washer	10 PCS	
						5	Allen Key M6x75mm	1 PC				

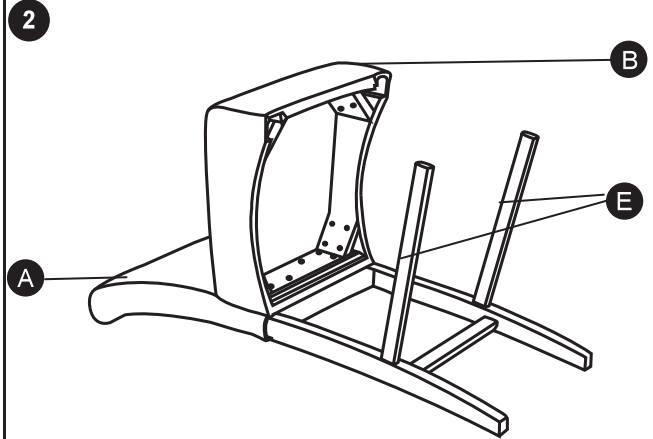
ASSEMBLY STEP

1



Put the Chair Back(A) on a non-abrasive table. Attach the Seat (B) to Chair Back(A) using six Bolts(1), six Spring Washers(3) and six Flat Washers(4) with the provided Allen Key(5). Do not fully tighten any bolt, but 90%.

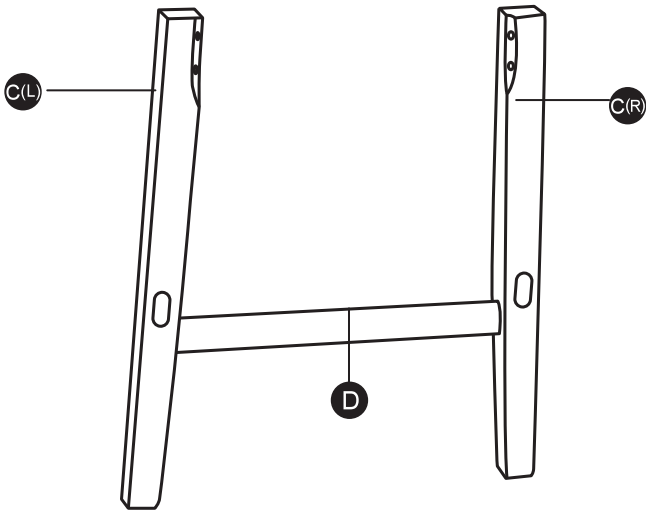
2



Inset the **CHAMFERED END** of Side Stretchers(E) into the holes of Chair Back legs(B) as shown. Please don't assemble Side Stretchers(E) with any bolt or screw.

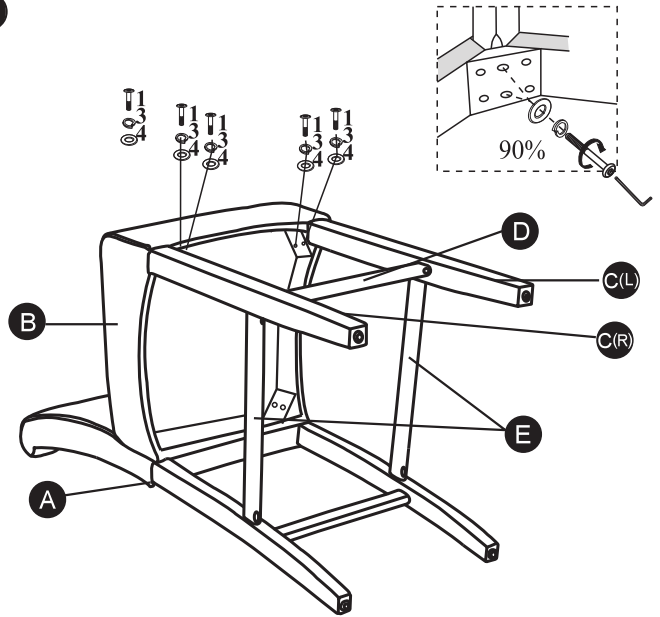
ASSEMBLY INSTRUCTION

3



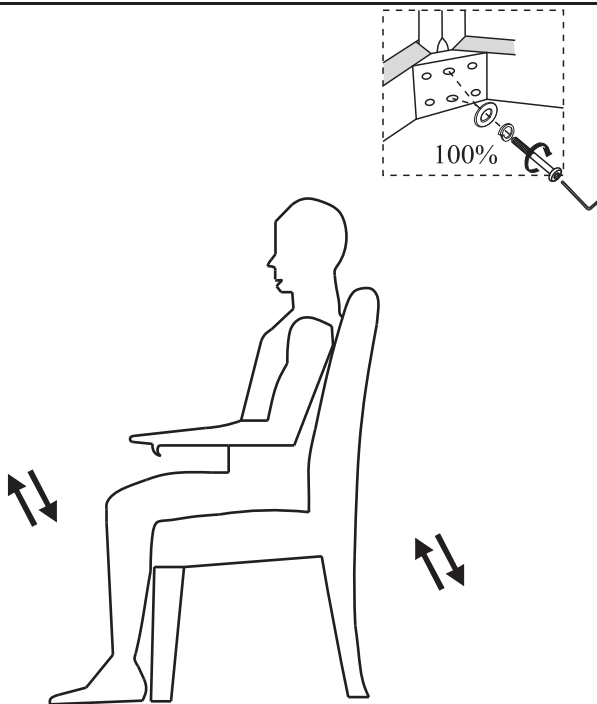
Insert the Front Stretcher(D) into the correct holes of two Front legs(C) as shown, and it is taken to be spare part for next step.

4



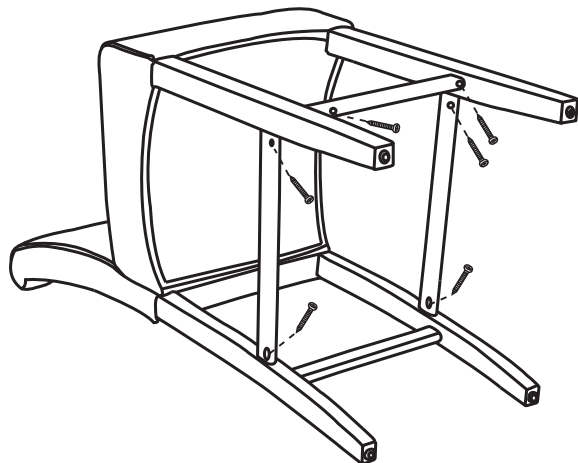
Assemble Front Legs(C) to the front of the Seat(B) using four Bolts(1), four Spring Washers(3) and four Flat Washers(4) with the provided Allen Key(5). Do not fully tighten any bolt, but 90%.

5



Seat on the chair, and wiggle. Ensure the chair is level on the floor, then fully tighten all Bolts(1) with the provided Allen Key(5). Place the vinyl flap to the bottom of the Seat(B) using the adhesive strips.

6



Put six Flat Head Screws (2) into the holes of Front Stretcher (D) and Side Stretchers(E), and fully tighten them. Now the chair is completely assembled, and it is ready to use.