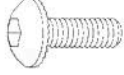

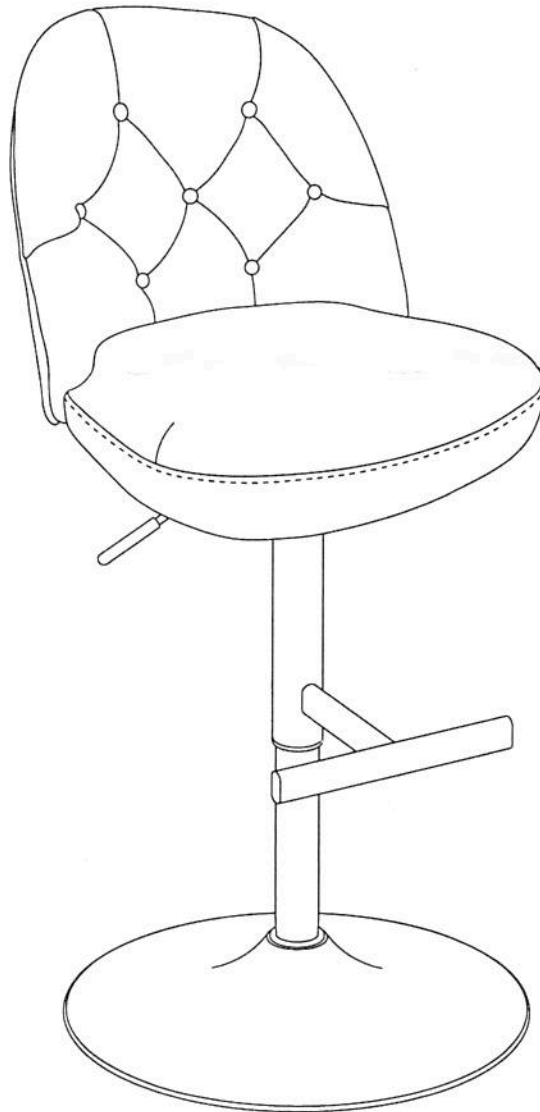




## Assembly Instructions

WHLM #3201-1 ARCHER GAS LIFT STOOL WHITE SKU# 43432018  
WHLM #3201-2 ARCHER GAS LIFT STOOL BLACK SKU# 43532010  
WHLM #3201-3 ARCHER GAS LIFT STOOL GRAY SKU# 43632012  
WHLM #3201-4 ARCHER GAS LIFT STOOL RED SKU# 43732014

STEP	CODE	HARDWARE	Q'TY
1	A	 BOLT (M6 x 25 x 16 mm)	4
	B	 ALLEN WRENCH (75 x 27 x 5 mm)	1



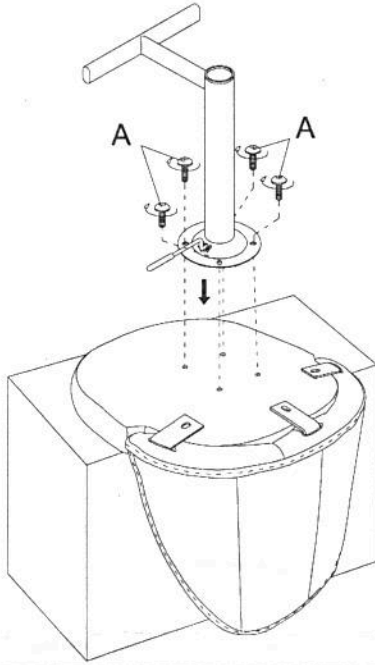


## Assembly Instructions

WHLM	#3201-1	ARCHER GAS LIFT STOOL	WHITE	SKU# 43432018
WHLM	#3201-2	ARCHER GAS LIFT STOOL	BLACK	SKU# 43532010
WHLM	#3201-3	ARCHER GAS LIFT STOOL	GRAY	SKU# 43632012
WHLM	#3201-4	ARCHER GAS LIFT STOOL	RED	SKU# 43732014

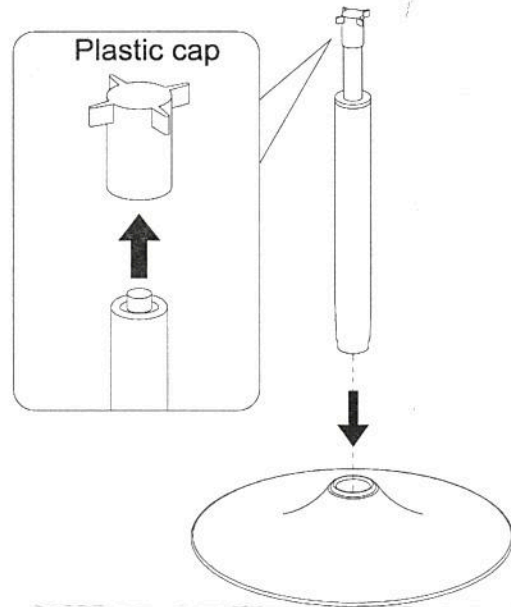
\*\*\*Caution: Please read all instructions carefully before starting the assembly process. These parts are cumbersome and heavy. Therefore, two people are recommended in order to prevent personal injury and insure the parts are not damaged during the assembly.

### STEP 1:



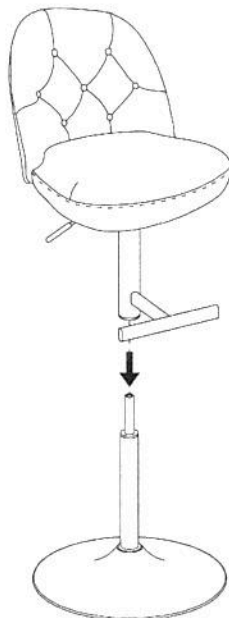
Attach the pole with footrest to seat ensuring the footrest points towards the front of the unit. Note: Do not over tighten the bolts.

### STEP 2:



Insert the thick end of the gas lift into the base. Remove the top plastic cap for the following step.

### STEP 3:



Turn assembled seat upright and slide the pole with footrest over the gas lift. Push down firmly until connection is secure.