

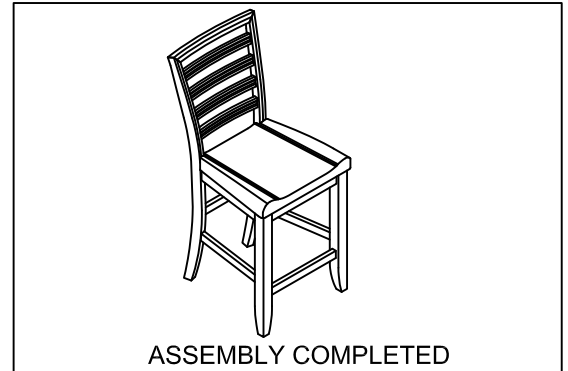
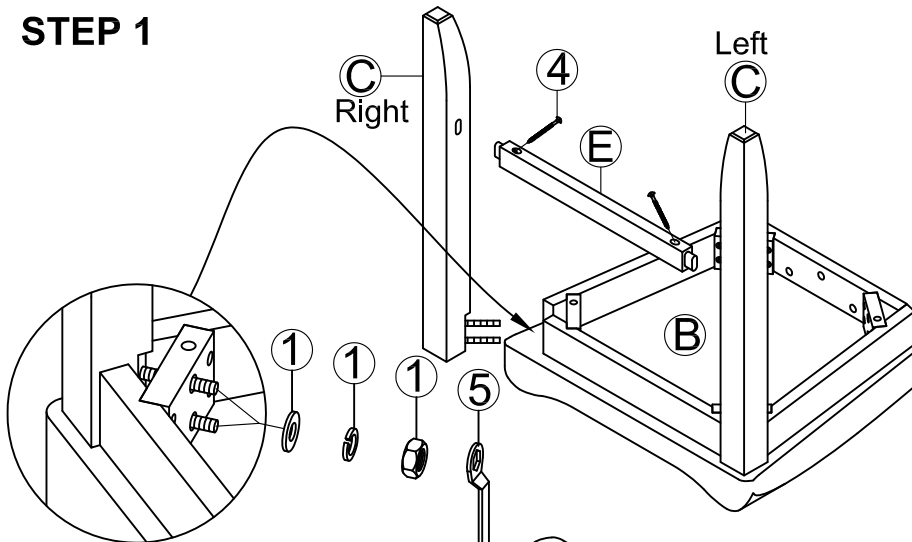


# ASSEMBLY INSTRUCTIONS

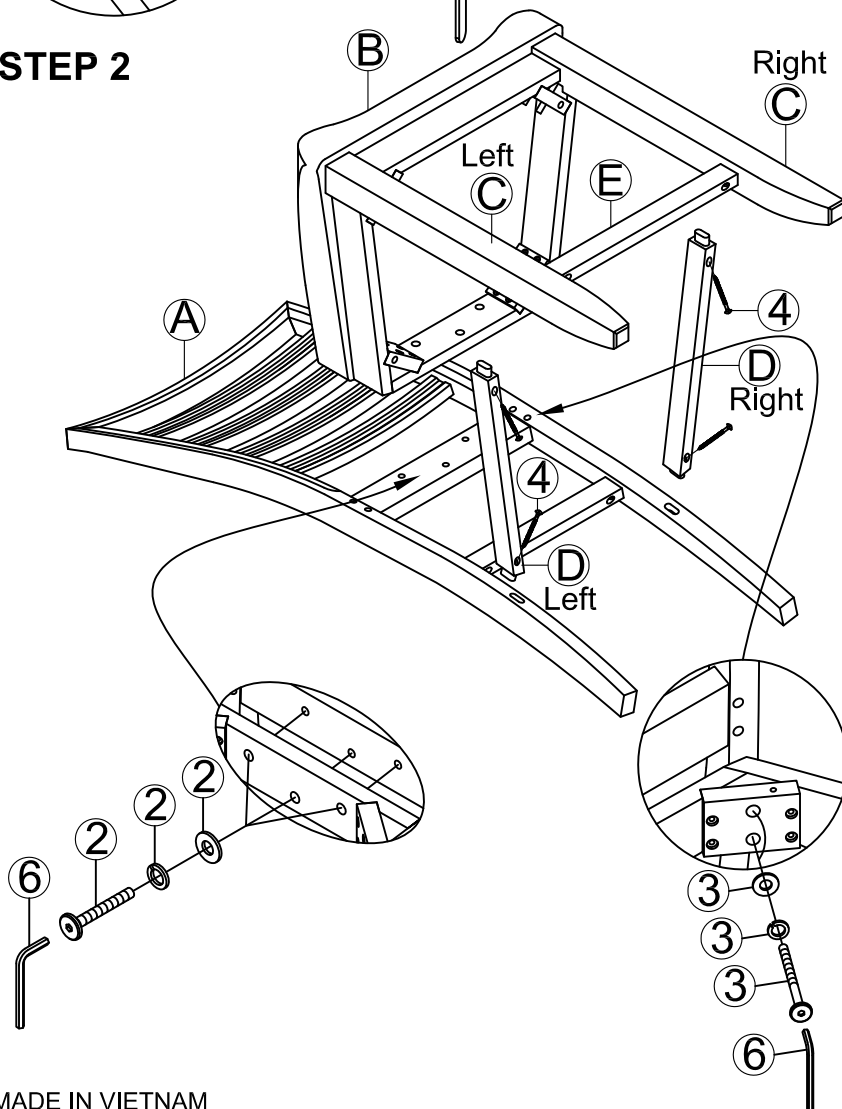
GRVE 310-CC CNTR HT STOOL SKU: 43437107

Thank you for purchasing this quality product . Be sure to check all packing material carefully for small parts which may have come loose inside the carton during shipment .Identify and count all parts and compare with the parts list below .

## STEP 1



## STEP 2



### PARTS LIST :

		QTY
A	Chair Back Frame	1pc
B	Seat Frame	1pc
C	Chair Legs Left-Right	2pcs
D	Side Stretcher Left-Right	2pcs
E	Front Stretcher	1pc

### HARDWARE LIST :

			QTY
①	Hex-Nut $\phi 5/16"$		4pcs
①	Spring Washer $\phi 5/16" \times 1/2"$		4pcs
①	Flat Washer $\phi 5/16" \times 3/4"$		4pcs
②	Bolt $\phi 1/4" \times 21 \times 1-1/2"$		3pcs
②	Spring Washer $\phi 5/16" \times 1/2"$		3pcs
②	Flat Washer $\phi 5/16" \times 3/4"$		3pcs
③	Bolt $\phi 1/4" \times 21 \times 3-3/8"$		4pcs
③	Spring Washer $\phi 5/16" \times 1/2"$		4pcs
③	Flat Washer $\phi 5/16" \times 3/4"$		4pcs
④	Screw $\phi 8 \times \phi 4 \times 2"$		6pcs
⑤	Wrench 3-1/2" x 1/2"		1pc
⑥	Allen Key 1/8"		1pc

MADE IN VIETNAM