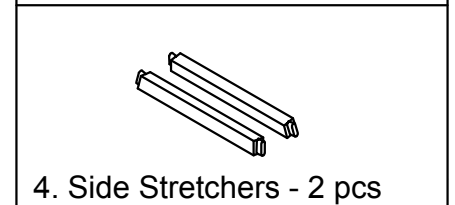
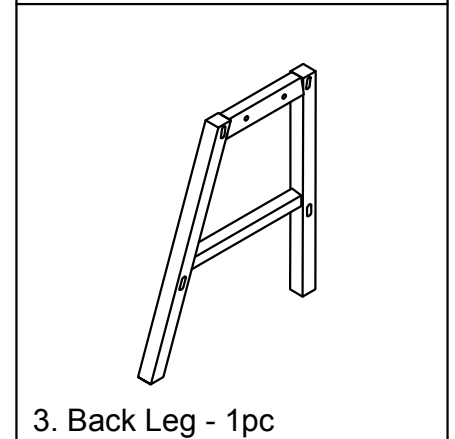
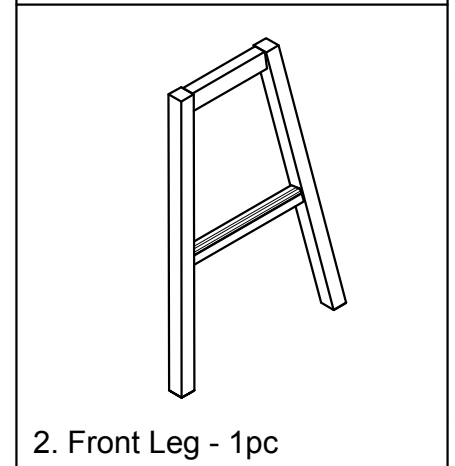
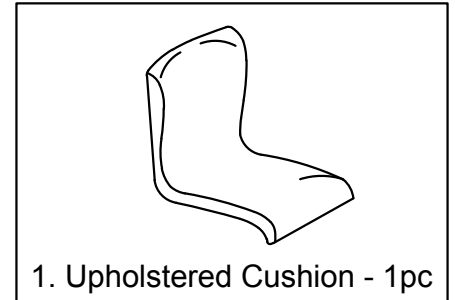
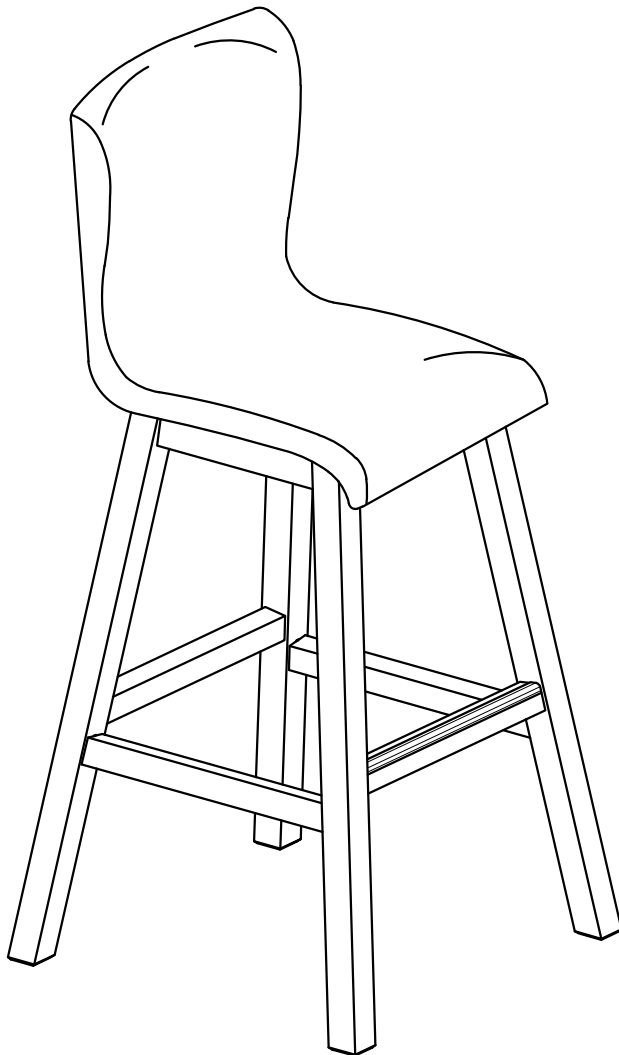


ASSEMBLY INSTRUCTIONS

GLOB 4302-2 BROWN BARSTOOL
 GLOB 4302-2B VANILLA BARSTOOL

SKU# 43443023
 SKU# 43643027

STEP	CODE	HARDWARE	Q'TY
	A	Allen Wrench	1 pc
1	B	Bolt Ø5/16" x 18 x 2"	4 pcs
		Spring washer Ø5/16"	4 pcs
		Flat washer Ø5/16"	4 pcs
2	C	Wood Screw Ø5/32" x 1-3/4"	4 pcs
		Glue	1 pc



Hardware Pack Location (s) :

4302-2 BROWN BARSTOOL SKU# 43443023
 4302-2B VANILLA BARSTOOL SKU# 43643027

ASSEMBLY INSTRUCTIONS

GLOB 4302-2 BROWN BARSTOOL

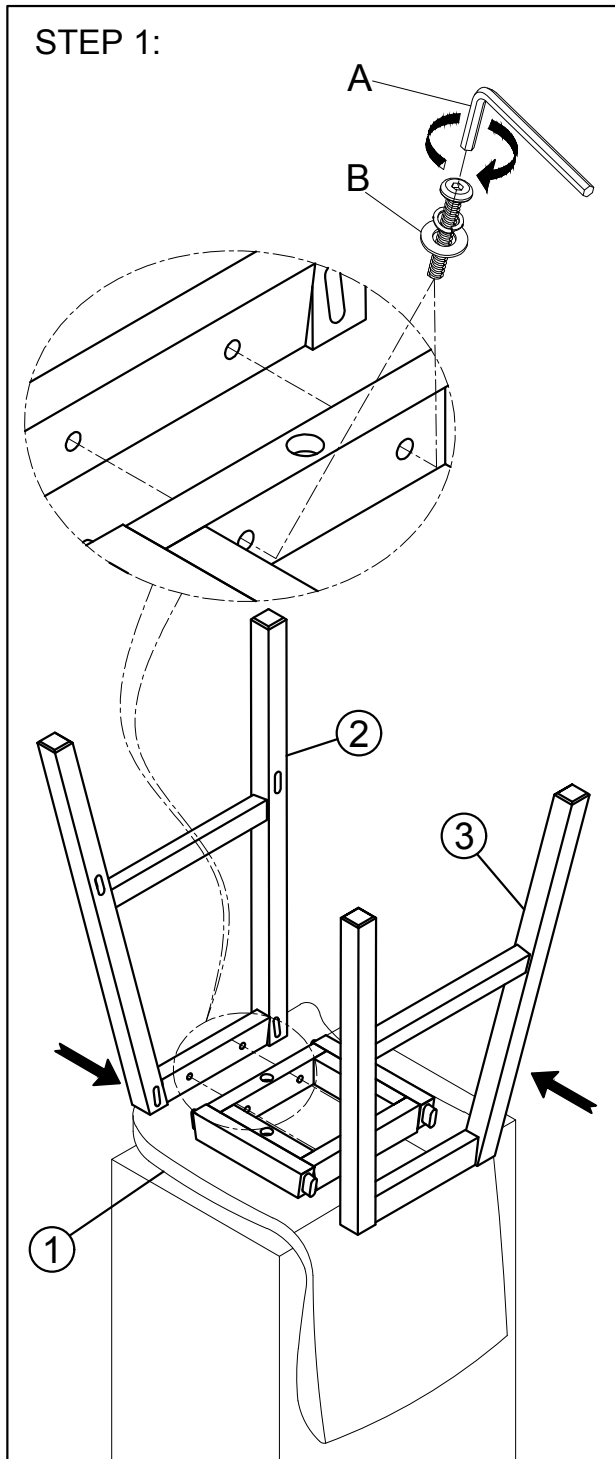
SKU# 43443023

GLOB 4302-2B VANILLA BARSTOOL

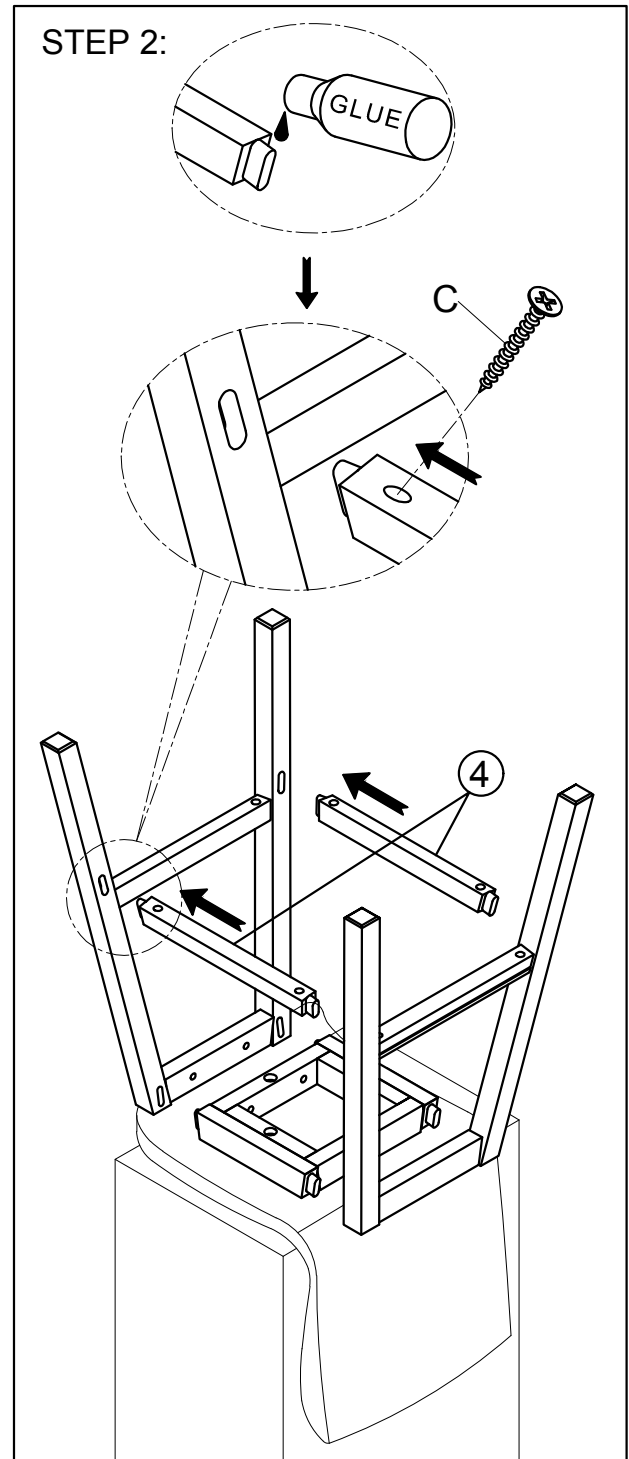
SKU# 43643027

***Cautions: Please read all instructions carefully before starting the assembly process. These parts are cumbersome and heavy. Therefore, two people are recommended in order to prevent personal injury and ensure the parts are not damaged during the assembly.

(Remark: Please put some of glue on to the tenon before assembly)



Attach the Front Leg (2) and Back Leg (3) to seat frame by hardware with Allen Wrench.

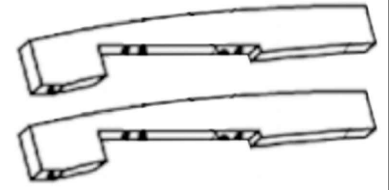


Attach the Side Stretchers (4) to Front Leg (2) and Back Leg (3) with screws and glue by screwdriver (not provided).

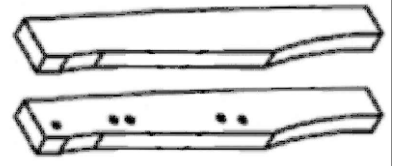
ASSEMBLY INSTRUCTIONS

GLOB 4302-4 SERVER SKU# 43843021

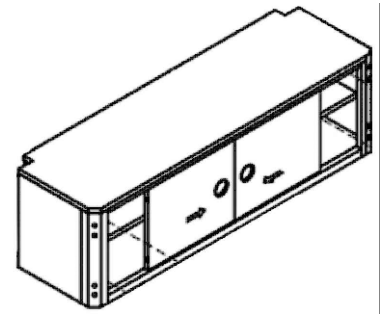
STEP	CODE	HARDWARE	Q'TY
1	A	Allen Wrench	1 pc
	B	Bolt Ø5/16" x 18 x 1-1/2"	12 pcs
		Spring washer Ø5/16"	12 pcs
		Flat washer Ø5/16"	12 pcs
C	Wooden dowel Ø3/8" x 1-1/8"	8 pcs	
2	D	Anti-tipping Kit	1 pc



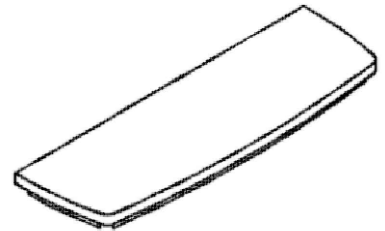
1. Front Leg - 2 pcs



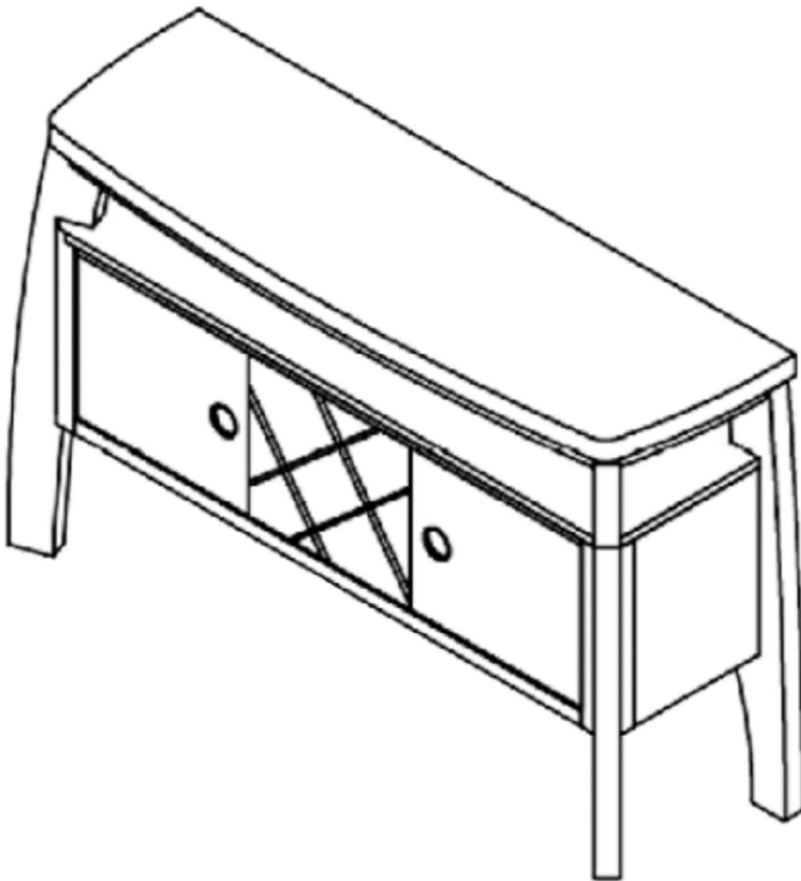
2. Back Leg - 2 pcs



3. Server - 1pc



4. Wooden Top - 1pc



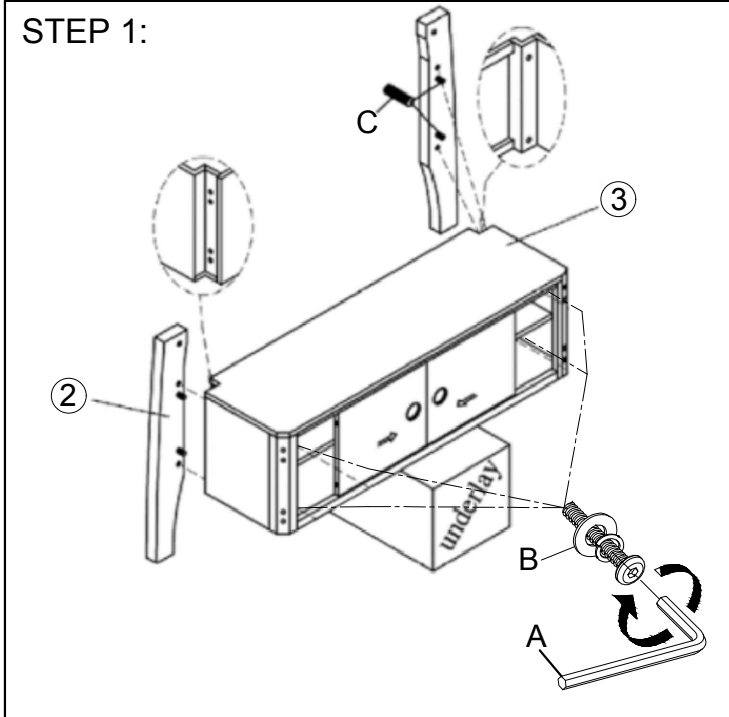
Hardware Pack Location (s) :
4302-4 SERVER SKU# 43843021

ASSEMBLY INSTRUCTIONS

GLOB 4302-4 SERVER SKU# 43843021

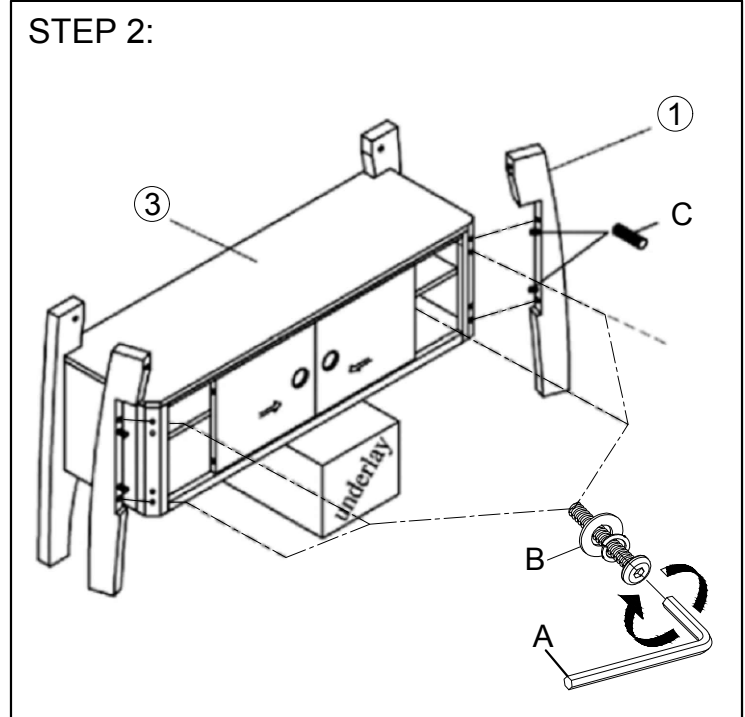
***Cautions: Please read all instructions carefully before starting the assembly process. These parts are cumbersome and heavy. Therefore, two people are recommended in order to prevent personal injury and ensure the parts are not damaged during the assembly.

STEP 1:



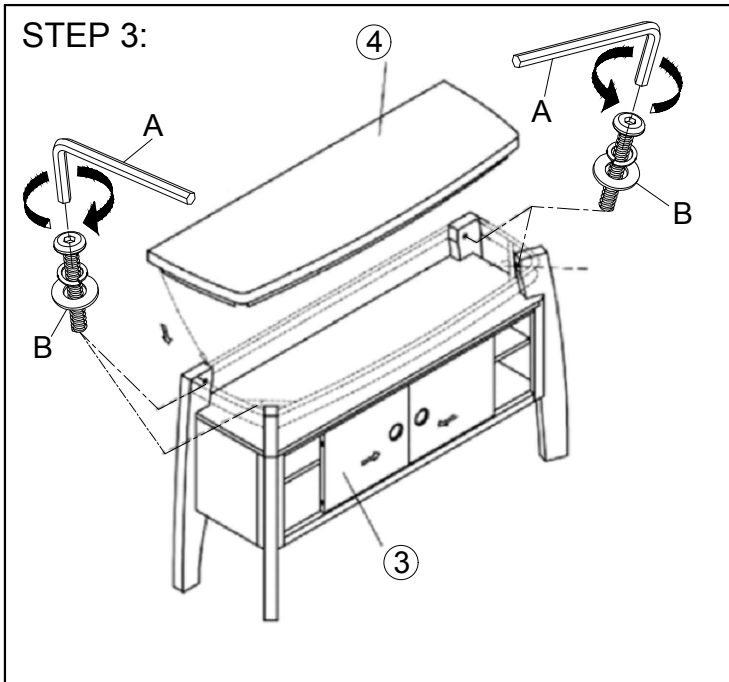
Attach the Back Legs (2) to the Server (3) by hardware with Allen Wrench.

STEP 2:



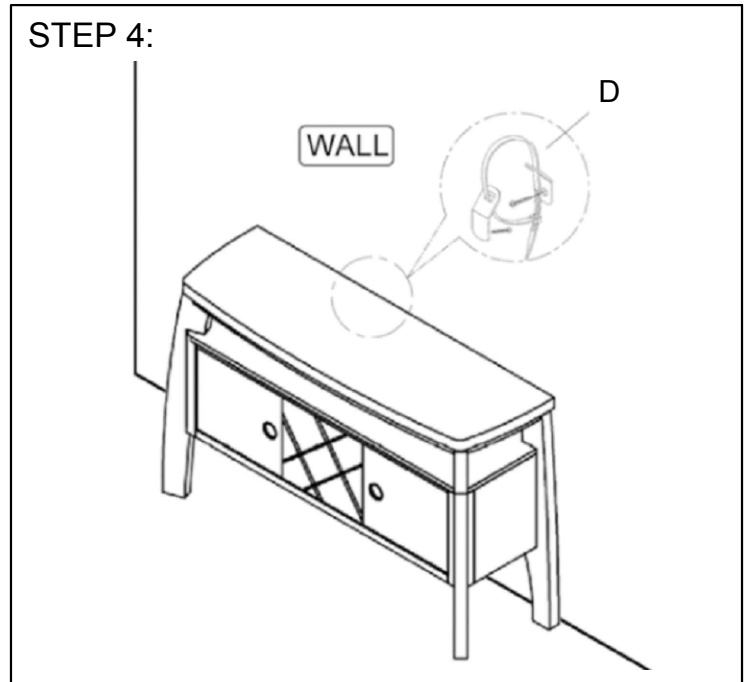
Attach the Front Legs (1) to the Server (3) by hardware with Allen Wrench.

STEP 3:



To put Wooden Top (4) to the Server (3) by hardware with Allen Wrench.

STEP 4:



To attach Server to wall with anti-tipping kit.

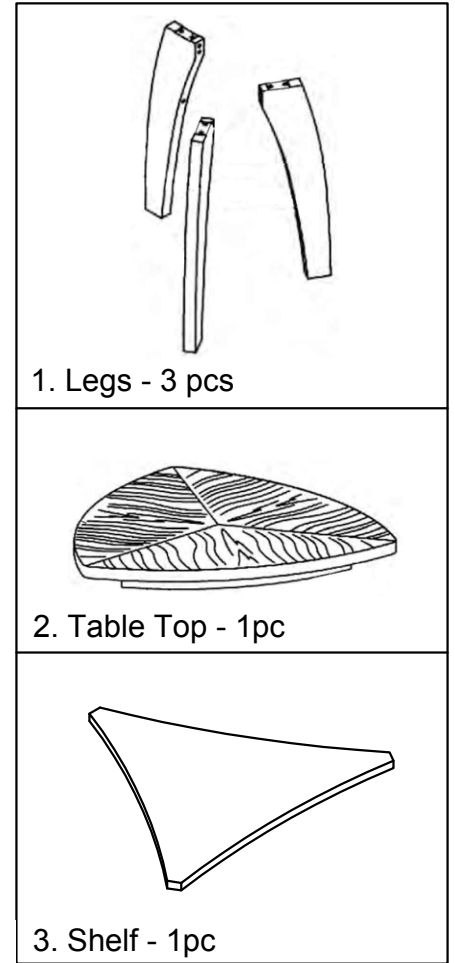
Note:

- *Keep all hard wave parts out of children's reach
- *Keep these instructions for future reference.

ASSEMBLY INSTRUCTIONS

GLOB 4302-1 BAR TABLE SKU# 43243029

STEP	CODE	HARDWARE	Q'TY
1	A	Allen Wrench	1 pc
	B	Bolt Ø5/16" x 18 x 1"	9 pcs
	C	Metal Plate 4" x 3-1/2" x 3mm	3 pcs
2	D	Bolt Ø5/16" x 18 x 3/4"	15 pcs
		Spring washer Ø5/16"	15 pcs
		Flat washer Ø5/16"	15 pcs
3	E	Bolt Ø5/16" x 18 x 1-3/4"	6 pcs
		Spring washer Ø5/16"	6 pcs
		Flat washer Ø5/16"	6 pcs
4	F	"L"Metal Plate 2-1/2" x 1-3/4" x 3mm	3 pcs



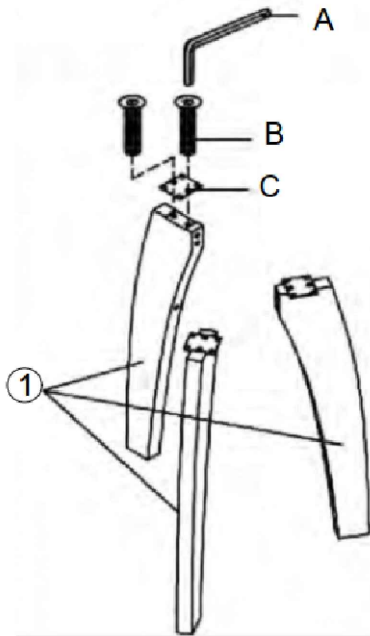
Hardware Pack Location (s) :
4302-1 BAR TABLE SKU# 43243029

ASSEMBLY INSTRUCTIONS

GLOB 4302-1 BAR TABLE SKU# 43243029

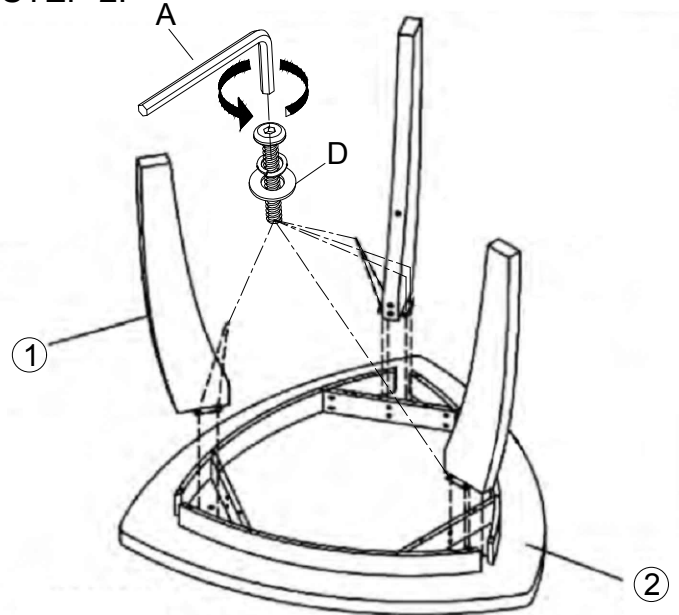
***Cautions: Please read all instructions carefully before starting the assembly process. These parts are cumbersome and heavy. Therefore, two people are recommended in order to prevent personal injury and ensure the parts are not damaged during the assembly.

STEP 1:



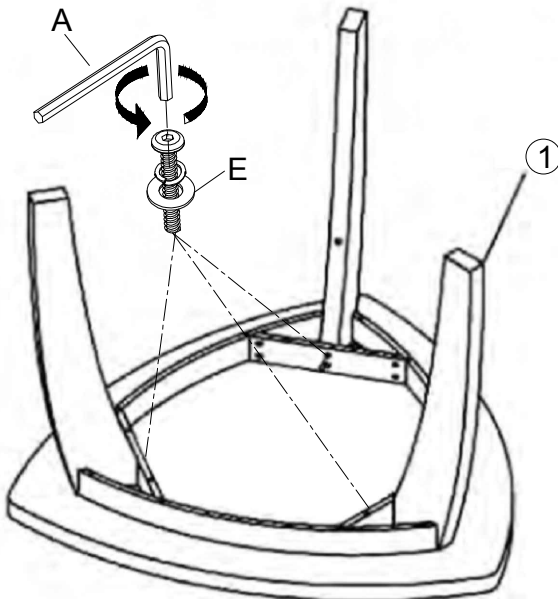
Attach the Metal Plate to the Legs (1) by hardware with Allen Wrench.

STEP 2:



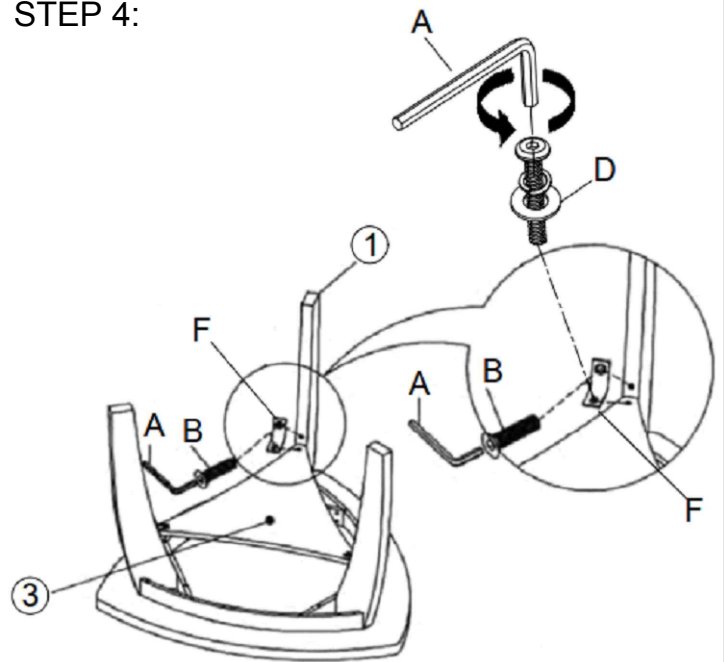
Attach the Legs (1) to the Table Top (2) by hardware with Allen Wrench.

STEP 3:



Attach the Apron block to the Legs (1) by hardware with Allen Wrench.

STEP 4:

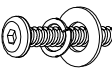


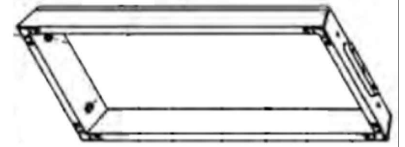
Screw the "L" Metal Plate to the Shelf (3) and Legs (1) by hardware with Allen Wrench.

ASSEMBLY INSTRUCTIONS

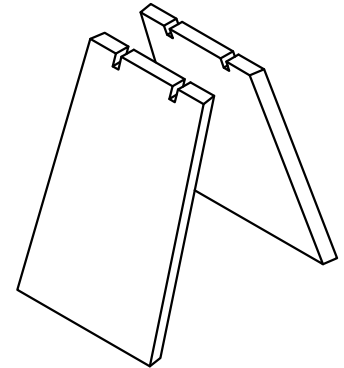
GLOB 4302-3 BROWN BENCH
 GLOB 4302-3B VANILLA BENCH

SKU# 43543025
 SKU# 43743029

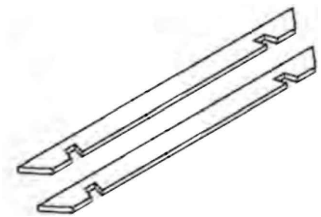
STEP	CODE	HARDWARE	Q'TY	
1-3-4-5	A	Allen Wrench	1 pc	
	B	Plastic Cap	4 pcs	
	C	Bolt Ø5/16" x 18 x 1-3/4"		17 pcs
		Spring washer Ø5/16"		17 pcs
Flat washer Ø5/16"		17 pcs		
	D	Wooden dowel Ø3/8" x 1-1/8"	8 pcs	



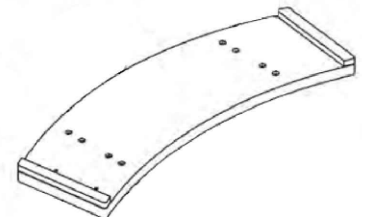
1. Base Frame - 1 pc



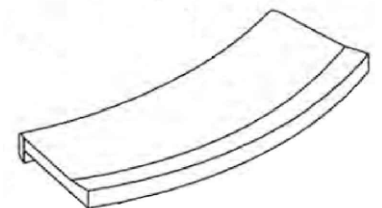
2. Leg Panel - 2 pcs



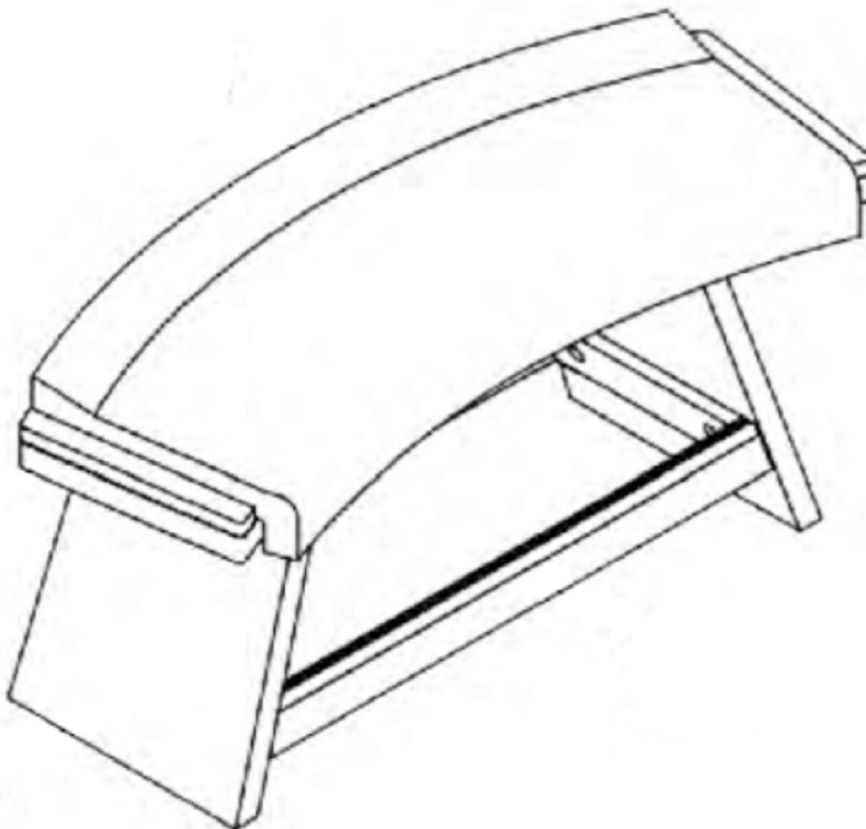
3. Rails - 2 pcs



4. Seat Panel - 1pc



5. Top Cushion - 1pc



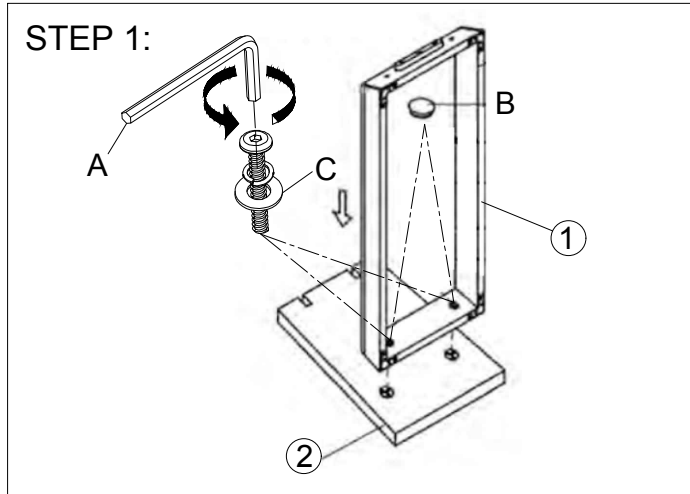
Hardware Pack Location (s) :
 4302-3 BROWN BENCH SKU# 43543025
 4302-3B VANILLA BENCH SKU# 43743029

ASSEMBLY INSTRUCTIONS

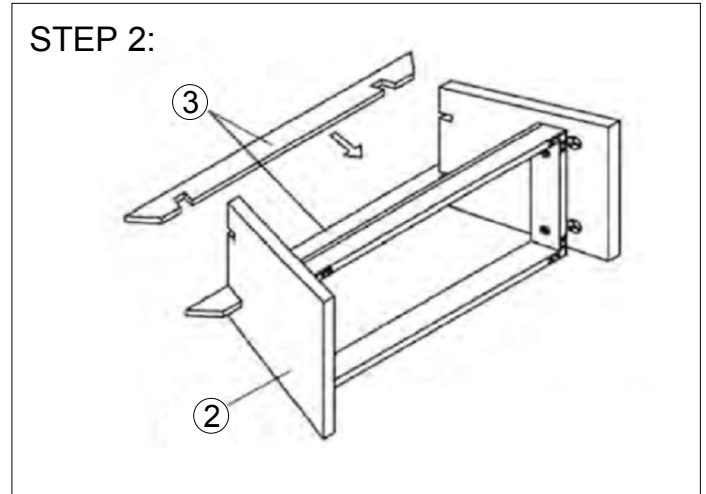
GLOB 4302-3 BROWN BENCH
GLOB 4302-3B VANILLA BENCH

SKU# 43543025
SKU# 43743029

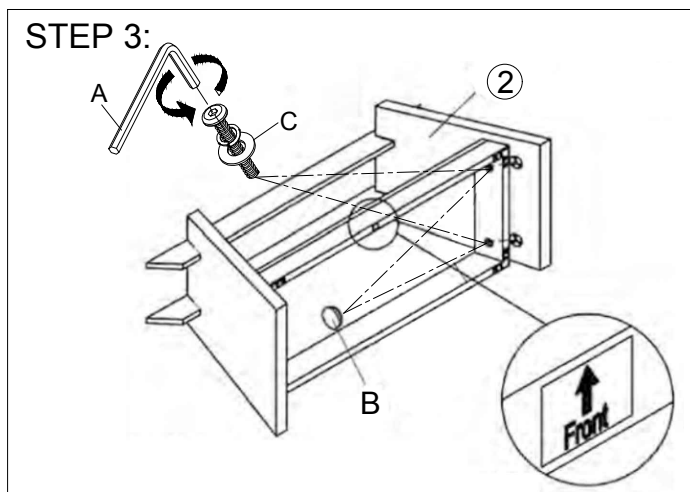
***Cautions: Please read all instructions carefully before starting the assembly process. These parts are cumbersome and heavy. Therefore, two people are recommended in order to prevent personal injury and ensure the parts are not damage during the assembly.



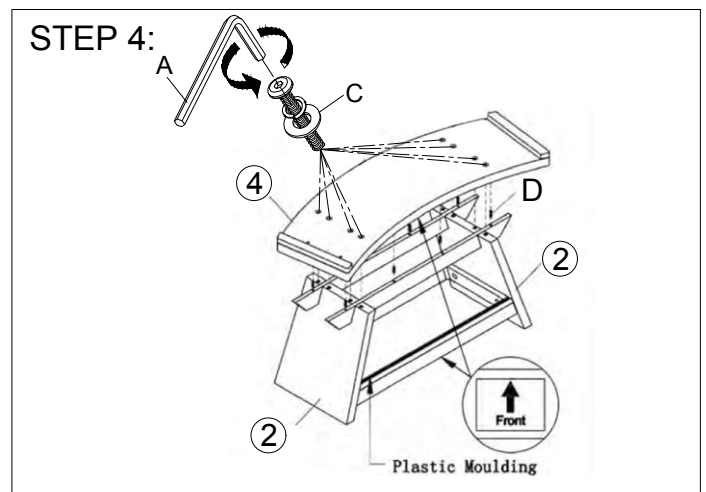
Attach Base Frame (1) to Leg Panel (2) by hardware with Allen Wrench. Then cover the hole with Plastic Cap.



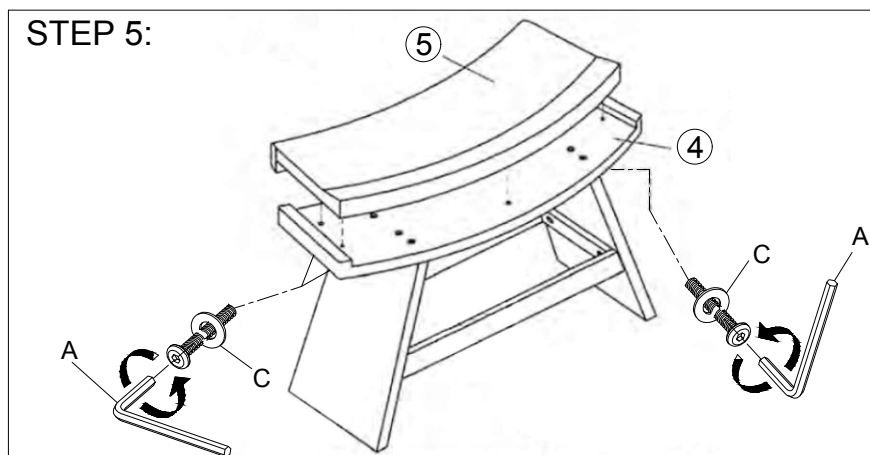
Attach the two Rails (3) to Leg Panel (2).



Attach the another Leg Panel (2) by hardware with Allen Wrench. Then cover the hole with Plastic Cap.



Attach Seat Panel (4) to Side Leg (2) by hardware with Allen Wrench.



Attach the Top Cushion (5) to Seat Panel (4) by hardware with Allen Wrench.