
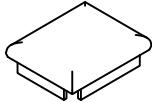
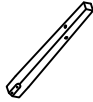
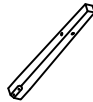


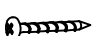


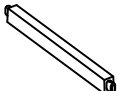


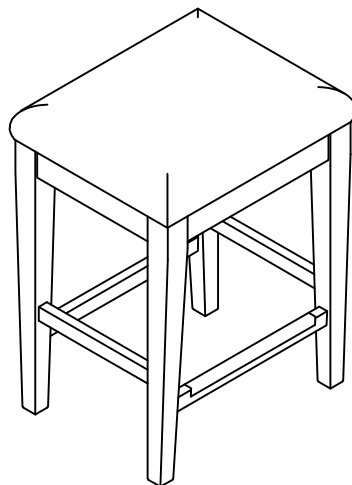
Assembly Instruction Instructions d'assemblage

HOUS 4814-CNST GATHERING STOOL

SKU# 43448148

WARNING: To avoid alignment issue, please don't tighten the screws unless all leg are adjusted at the same level.

HARDWARE LIST / LISTE DE QUINCAILLERIE			QTY'/ QTÉ	PART LIST/LISTE DE PIÈCES			QTY'/ QTÉ
A	Bolt Ø1/4" x 20 x 2-3/8"		8 PCS 8 PIÈCES	1	SEAT WITH FRAME		1 PC 1 PIÈCE
	Boulon Ø1/4" x 20 x 2-3/8"				SIÈGE AVEC CADRE		
	Spring Washer Ø1/4" x Ø1/2" x 1/16"		8 PCS 8 PIÈCES	2	RIGHT LEG		2 PCS 2 PIÈCES
	Rondelle D' Arrêt Ø1/4" x Ø1/2" x 1/16"				JAMBE DROITE		
	Flat Washer Ø1/4" x Ø3/4" x 1/16"		8 PCS 8 PIÈCES	3	LEFT LEG		2 PCS 2 PIÈCES
	Rondelle Plate Ø1/4" x Ø3/4" x 1/16"				LA JAMBE GAUCHE		
B	Allen Key 1/8"		1 PC 1 PIÈCE	4	LONG FRONT STRETCHER		1 PCS 1 PIÈCES
	Clè Allen 1/8"				CIVIÈRE LONGUE DEVANT		
C	Screw #4 x 1/1/2"		8 PCS 8 PIÈCES	5	LONG BACK STRETCHER		1 PCS 1 PIÈCES
	Vis #4 x 1/1/2"				CIVIÈRE LONGUE DERRIÈRE		
	Screwdrivers(Not Included)			6	SHORT STRETCHER		2 PCS 2 PIÈCES
	Tournevis(Non Inclus)				CIVIÈRE COURTE		



ASSEMBLY COMPLETED

Hardware Pack Location(s):

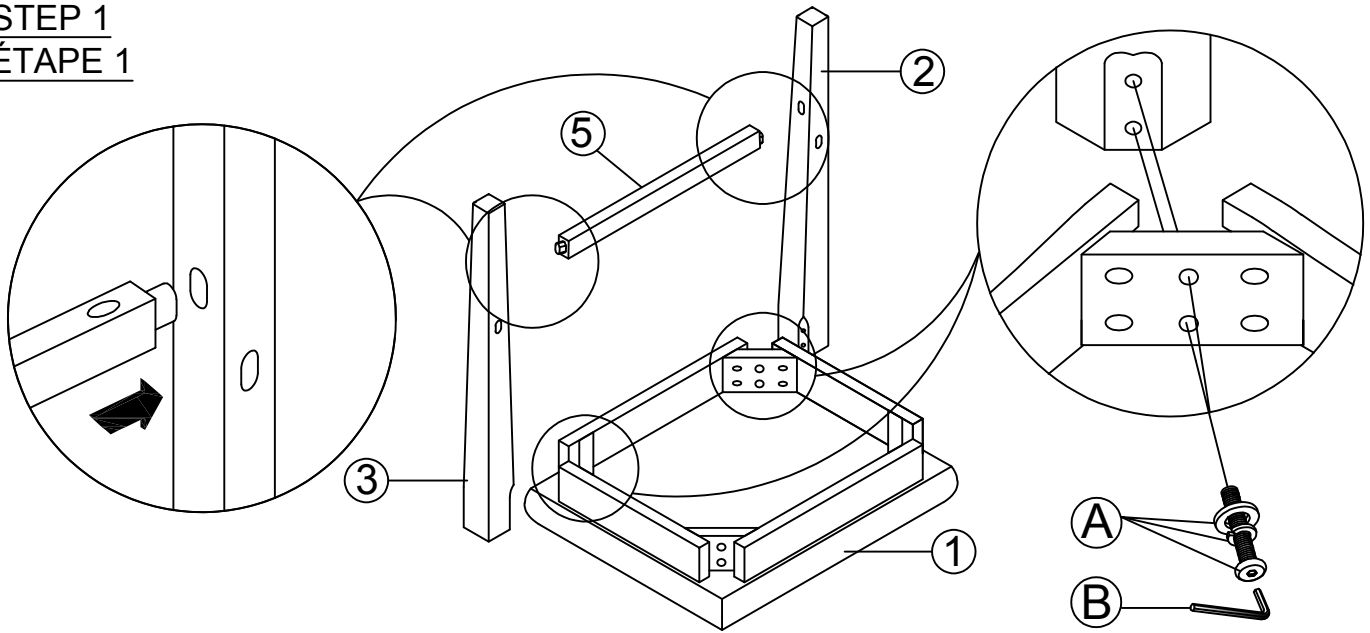
4814-CNST GATHERING STOOL

SKU# 43448148

***Caution: Please read all instructions carefully before starting the assembly process. These parts are cumbersome and heavy. Therefore, two people are recommended in order to prevent personal injury and ensure the parts are not damaged during the assembly.

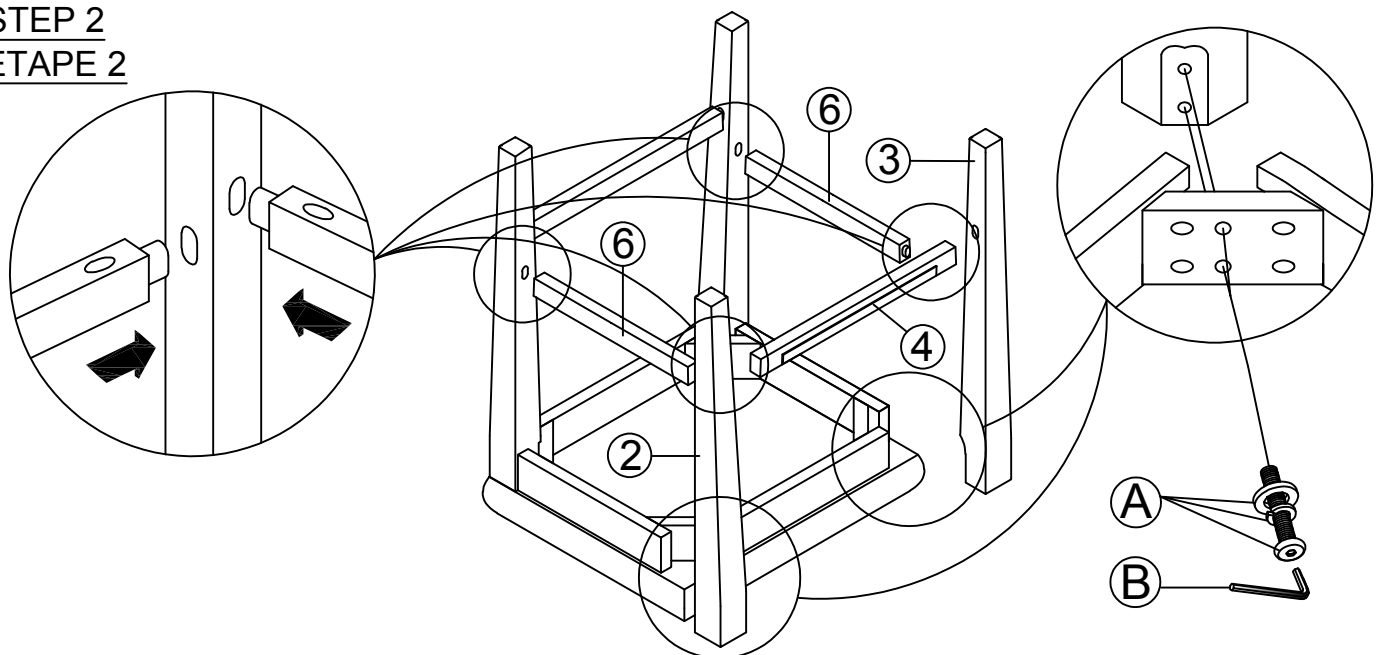
***Avertissement: veuillez lire toutes les instructions attentivement avant de commencer l'assemblage. Ces pièces sont encombrantes et lourdes. Il est recommandé d'être deux personnes pour l'assemblage afin de prévenir des blessures et/ou risquer d'endommager les pièces.

STEP 1
ÉTAPE 1



Attach leg to the seat with frame. Insert long stretcher in the middle leg.
Note: Do not tighten all screws & bolts until the stool is fully assembly.

STEP 2
ÉTAPE 2

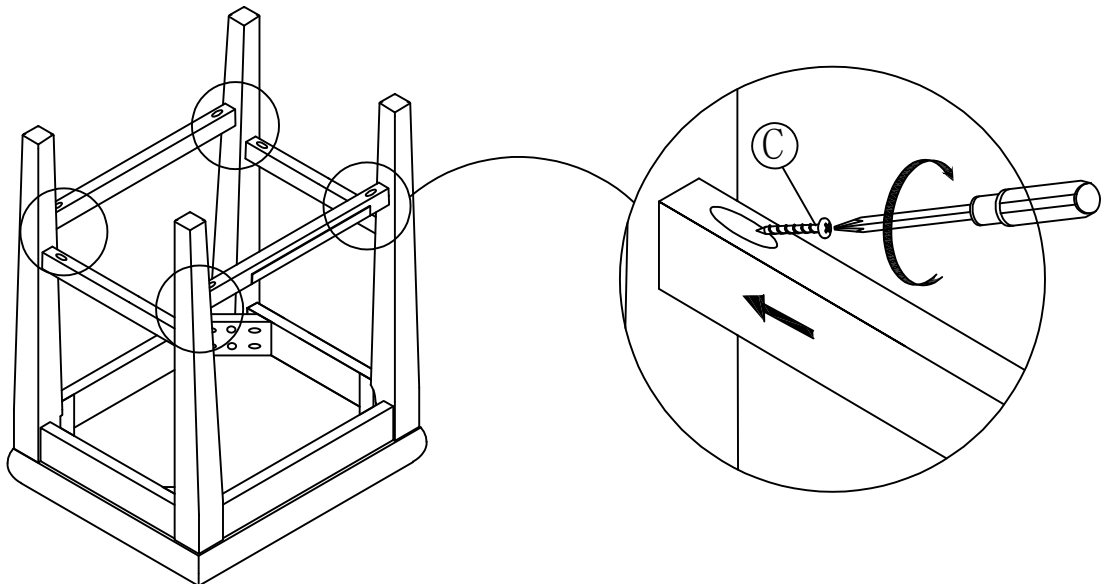


Attach leg to the seat with frame. Insert long stretcher and short stretcher in the middle leg.

***Caution: Please read all instructions carefully before starting the assembly process. These parts are cumbersome and heavy. Therefore, two people are recommended in order to prevent personal injury and ensure the parts are not damaged during the assembly.

***Avertissement: veuillez lire toutes les instructions attentivement avant de commencer l'assemblage. Ces pièces sont encombrantes et lourdes. Il est recommandé d'être deux personnes pour l'assemblage afin de prévenir des blessures et/ou risquer d'endommager les pièces.

STEP 3
ÉTAPE 3



Insert screw (E) to the stretcher use crewdrivers(Not included).