

# Assembly Instructions








NAJA 7769-4CN UPHL COUNTER STOOL





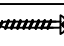
SKU#43477694

Thank you for purchasing this quality product. Be sure to check all packing material carefully for small parts, which may have come loose inside the carton during shipment. Identify and count all parts and compare with the **HARDWARE LIST** below.

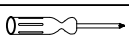
Caution: Please read instructions thoroughly before unpacking assembly parts.

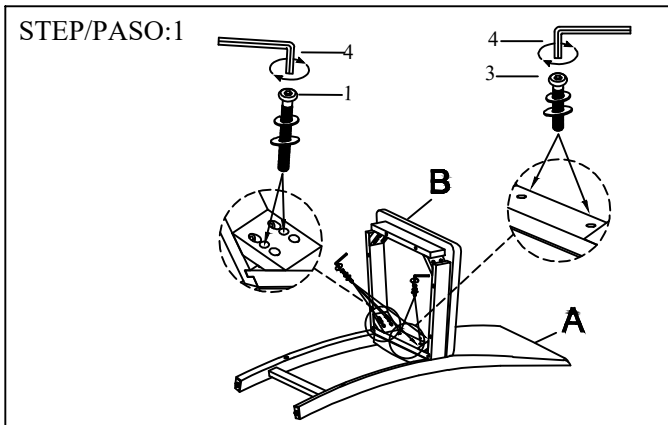
1. We recommend that you assemble this product with the assistance of another person; this will make assembly easier, and will help to eliminate damage to the product or injury to persons during assembly.
2. Please put all parts on a non-abrasive floor before assembly, and follow the assembly steps to assemble your newly purchased product correctly and efficiently.
3. Do not tighten all bolts until the assembly is completed.

NO.	PARTS LIST		Q' TY
A		Chair Back	1
B		Seat Cushion	1
C		Left Front Leg	1
D		Right Front Leg	1
E		Right Stretcher	1
F		Left Stretcher	1
G		Front Stretcher	1

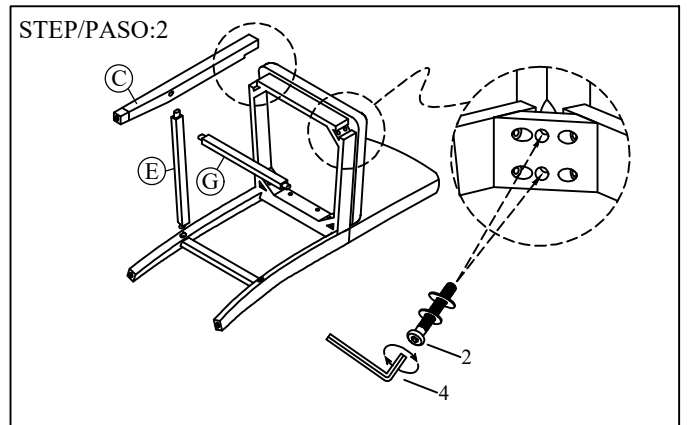
NO.	HARDWARE LIST		Q' TY
1		Allen Bolt $\varnothing$ 5/16" * 18 * 75mm	4
		Spring washer $\varnothing$ 5/16" * $\varnothing$ 13mm * 1.5mm	
		Flat washer $\varnothing$ 5/16" * $\varnothing$ 19mm * 1.5mm	
2		Allen Bolt $\varnothing$ 5/16" * 18 * 60mm	4
		Spring washer $\varnothing$ 5/16" * $\varnothing$ 13mm * 1.5mm	
		Flat washer $\varnothing$ 5/16" * $\varnothing$ 19mm * 1.5mm	
3		Allen Bolt $\varnothing$ 1/4" * 18 * 38mm	2
		Spring washer $\varnothing$ 1/4" * $\varnothing$ 13mm * 1.5mm	
		Flat washer $\varnothing$ 1/4" * $\varnothing$ 19mm * 1.5mm	
4		Allen wrench (4mm)	1
5		$\varnothing$ 4x1-3/4" L Screw	6

### TOOLS REQUIRED (NOT PROVIDED)

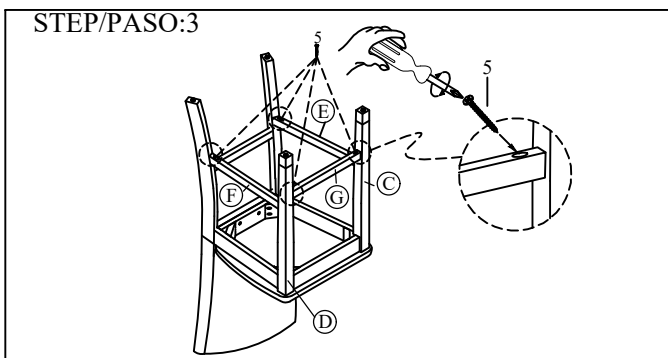
Description	Sketch
Phillips screwdriver	



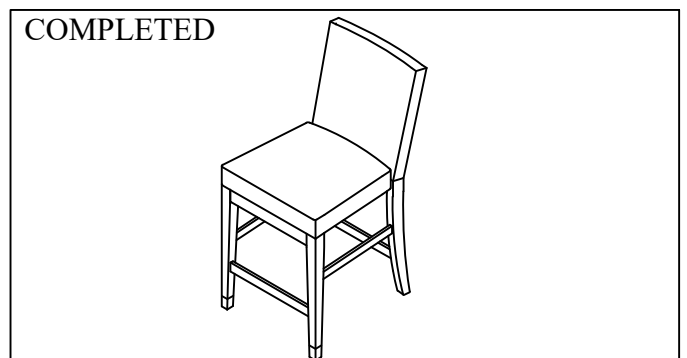
Assemble the seat frame corner with the chair back. Do not tighten all bolts until seat frame is fully assembly.



Assemble the front leg with the chair seat. Meanwhile, put the side stretcher and front stretcher in correct position like picture showed.



Assemble the side stretcher and front stretcher with the chair leg, Do not tighten all bolts until they are fully assembly.



Hardware pack Location(s): NAJA 7769-4CN UPHL COUNTER STOOL SKU#43477694

Assembly completed  
Made in VietNam