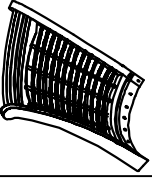
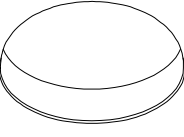
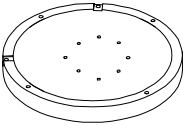
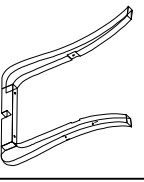
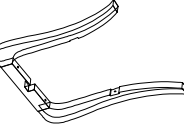
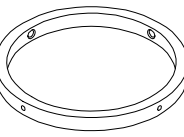


LFST

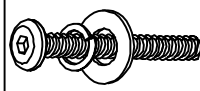
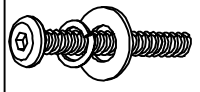
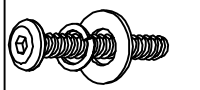

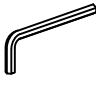
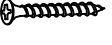

Caution: Please read instructions thoroughly before unpacking assembly parts. Sharp, exposed staple tips can cause injury, therefore, for your protection, please remove any exposed staple used in packing

1. We recommend that you should assemble this product with the assistance of another person; this will make assembly easier, and will help to eliminate damage to the product or injury to person during assembly.
2. Be sure to check all packing materials carefully for small parts that may have come loose inside the carton during shipment.
3. Please do not over tighten screws or bolts.
4. Please put all parts on a non-abrasive floor before assembly, and follow the assembly steps to assemble your newly purchased product correctly and efficiently.

PART LISTS

STT	DESC	OUTLOOK	Q'TY
1		CHAIR BACK	1
2		SEAT FRAME	1
3		SEAT CUSHION FRAME	1
4		LOWER FOOT FRAME	1
5		UPPER FOOT FRAME	1
6		BOTTOM FRAME	1

HARDWARE LISTS

STT	OUTLOOK	SIZE	Q'TY
A		Ø5/16" x 18 x 65 mm L	4
		Ø5/16" x 13 mm Spring Washer	
		Ø5/16" x 19 mm x 2mm Flat Washer	
B		Ø1/4" x 18 x 50 mm L Bolt	4
		Ø1/4" x 13 mm Spring washer	
		Ø1/4" x 19 mm x 2mm Flat washer	
C		Ø1/4" x 18 x 38 mm L Bolt	4
		Ø1/4" x 13 mm Spring washer	
		Ø1/4" x 19 mm x 2mm Flat washer	
D		Ø1/4" x 18 x 19 mm L Bolt	4
E		ALLEN WRENCH(4mm)	1
F		#8x38mm WOOD SCREW	4
G		L-SHAPED ANGLE IRON	2

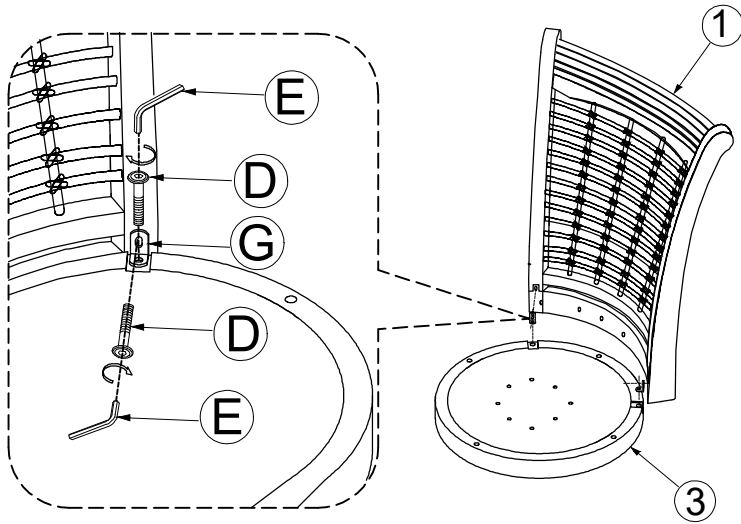
Screwdriver is needed but not include in the hardware package

ASSEMBLY INSTRUCTIONS

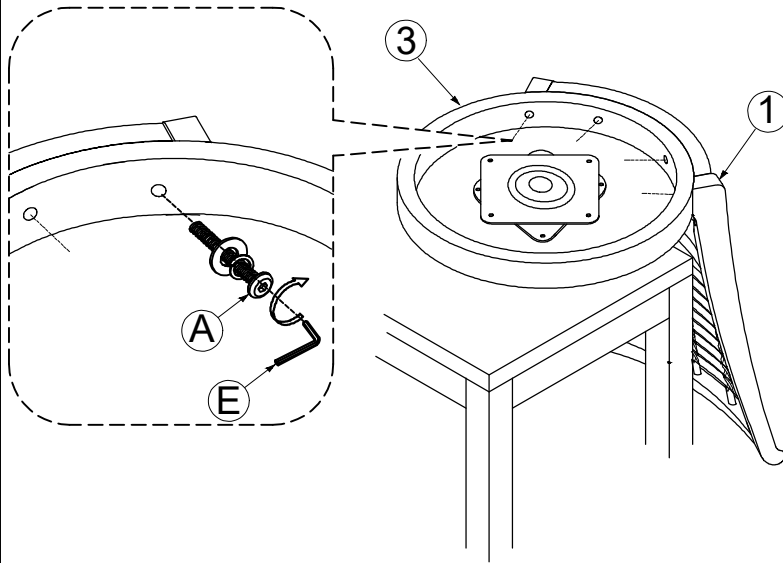
8679-24 SWIVEL CNT HEIGHT STOOL

SKU: 43486794

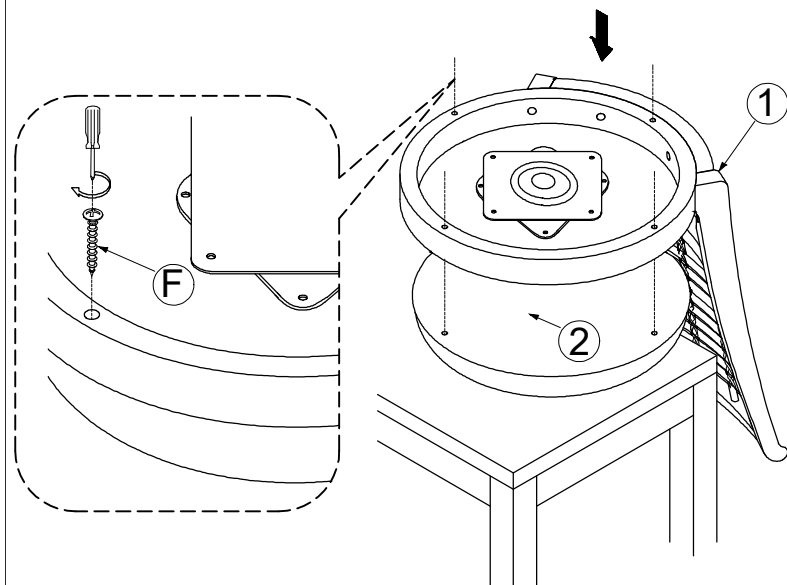
STEP 1



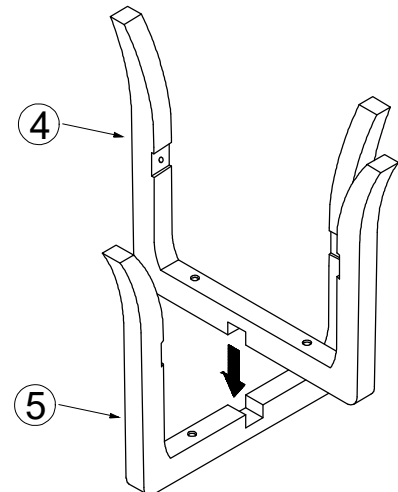
STEP 2



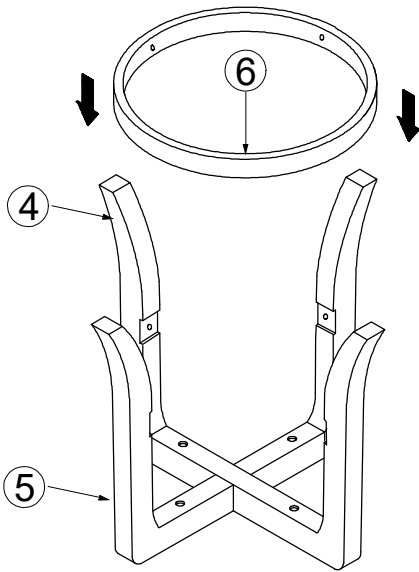
STEP 3



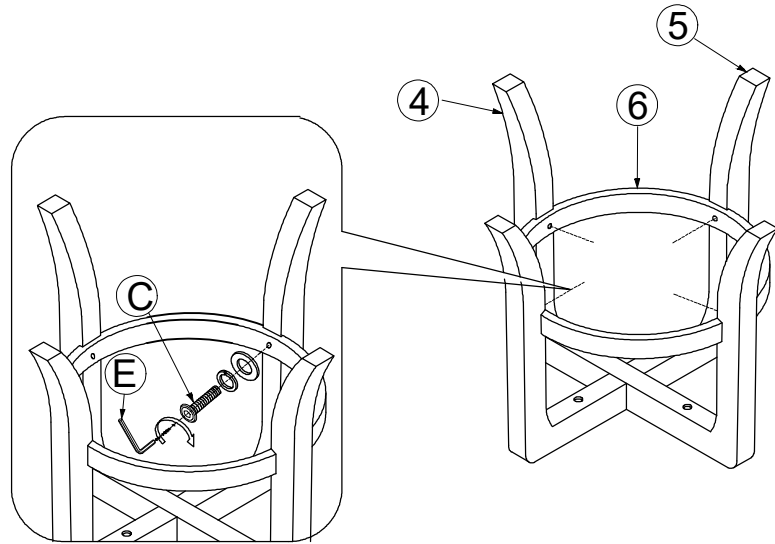
STEP 4



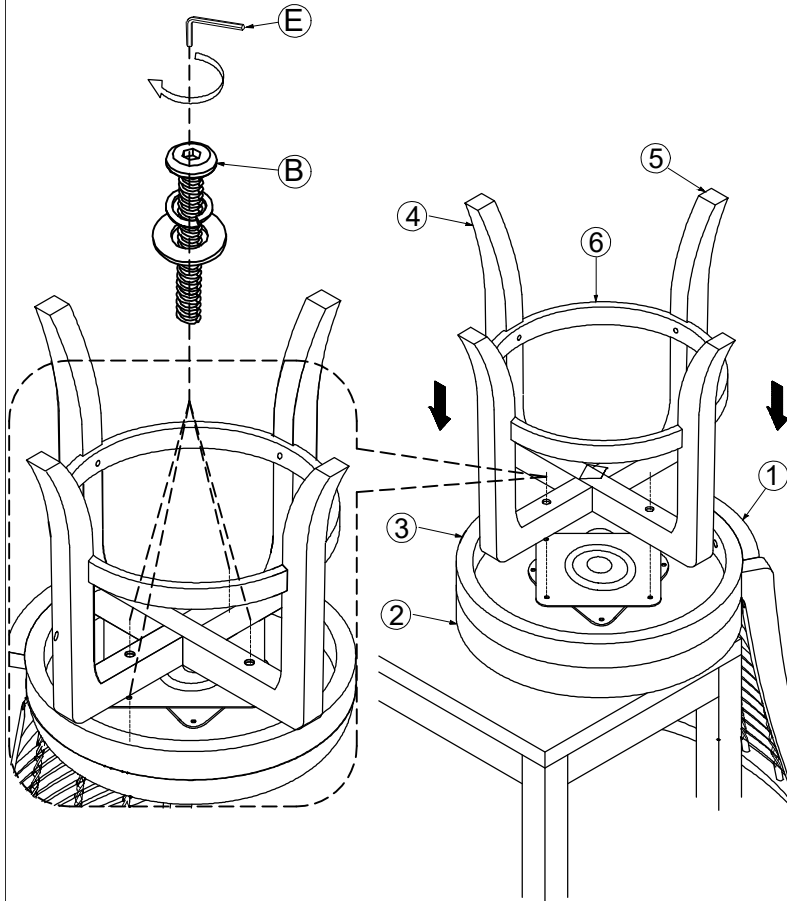
STEP 5



STEP 6



STEP 7



STEP 8

