


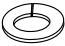












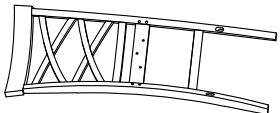
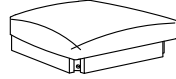
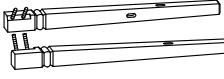

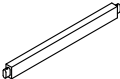
Manufactured by GRVE for Rooms To Go

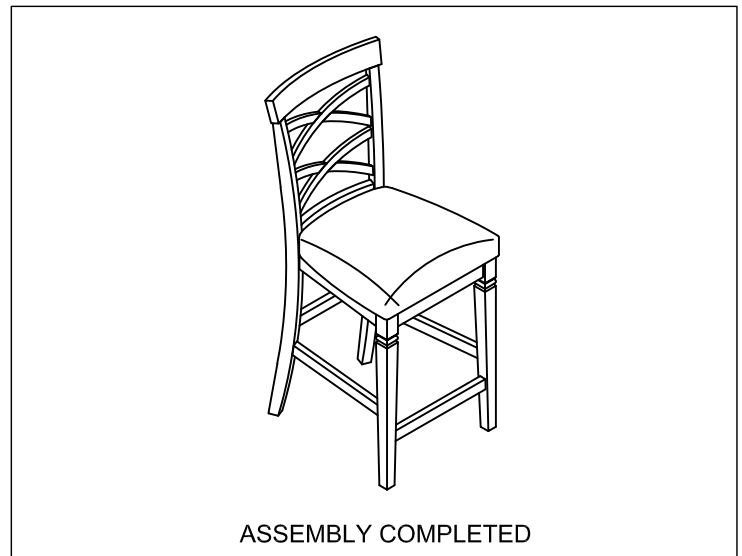
ASSEMBLY INSTRUCTIONS

GRVE 9354-CC2 X - BACK STOOL SKU: 43693541
 GRVE 9353-CC2 X - BACK CNTR STOOL SKU: 43493535
 GRVE 9356-CC2 X - BACK CNTR STOOL SKU: 43493561

Thank you for purchasing this quality product. Be sure to check all packing material carefully for small parts which may have come loose inside the carton during shipment. Identify and count all parts and compare with part list below.

	HARDWARE LIST		Q'TY
1	Hex-Nut $\phi 5/16"$		4pcs
	Spring Washer $\phi 5/16" \times 1/2"$		4pcs
	Flat Washer $\phi 5/16" \times 3/4"$		4pcs
2	Bolt $\phi 1/4"-20 \times 1-1/2"$		3pcs
	Spring Washer $\phi 5/16" \times 1/2"$		3pcs
	Flat Washer $\phi 5/16" \times 3/4"$		3pcs
3	Bolt $\phi 1/4"-20 \times 3-3/8"$		4pcs
	Spring Washer $\phi 5/16" \times 1/2"$		4pcs
	Flat Washer $\phi 5/16" \times 3/4"$		4pcs
4	Screw $\phi 8 \times \phi 4 \times 2"$		6pcs
5	Wrench $3-1/2" \times 1/2"$		1pc
6	Allen Key $5/32"$		1pc

	PART LIST		QTY'
A	Chair Back Frame		1pc
B	Seat Frame		1pc
C	Chair Legs Left-Right		2pcs
D	Side Stretcher Left-Right		2pcs
E	Front Stretcher		1pc



TOOLS REQUIRED (NOT PROVIDED)

Phillips Screwdriver



Hardware Pack Location(S): Underneath Seat Frame bottom

X - BACK STOOL SKU: 43693541
 X - BACK CNTR STOOL SKU: 43493535
 X - BACK CNTR STOOL SKU: 43493561



Manufactured by GRVE for Rooms To Go

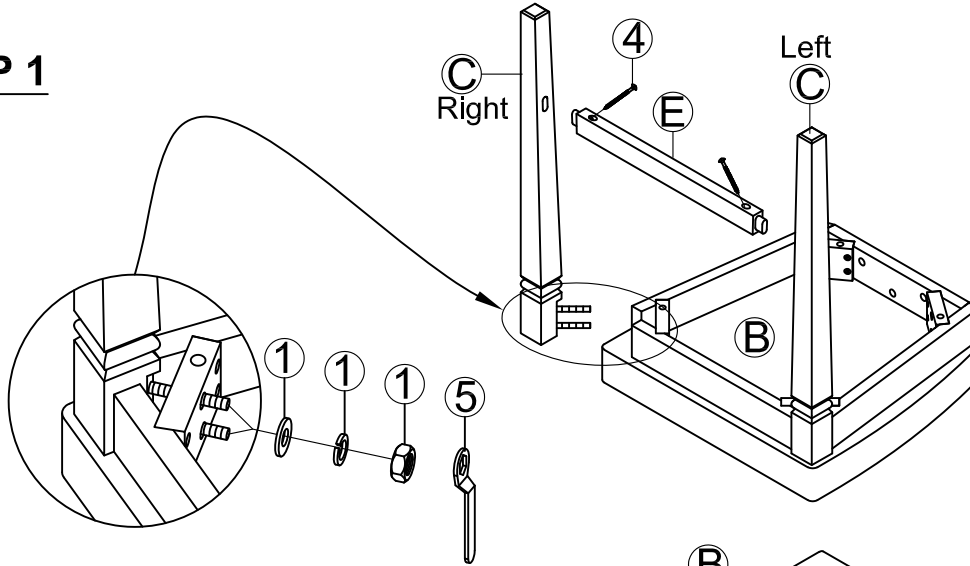
ASSEMBLY INSTRUCTIONS

GRVE 9354-CC2	X - BACK STOOL	SKU: 43693541
GRVE 9353-CC2	X - BACK CNTR STOOL	SKU: 43493535
GRVE 9356-CC2	X - BACK CNTR STOOL	SKU: 43493561

Thank you for purchasing this quality product. Be sure to check all packing material carefully for small parts which may have come loose inside the carton during shipment. Identify and count all parts and compare with part list below.

Notes: Do not tighten all the bolts and screws until the assembly is completed.

STEP 1



STEP 2

