



ASSEMBLY INSTRUCTIONS

HFSB 2026 / 2028 - 4CS/6CS COUNTER HEIGHT STOOL

SKU # 43420265, 43520267, 43420289, 43520281

Manufactured by (HFSB) for Rooms To Go

VERSION 1.0 8/2025

Thank you for purchasing this quality product. Be sure to check all packing material carefully for small parts. Which may have come loose inside the carton during shipment. Identify and count all parts and compare with the hardware list as below:

PARTS LIST

ITEM	DIAGRAM	DESCRIPTION	QUANTITY
A		CHAIR BACK	1 Pc
B		CHAIR SEAT	1 Pc
C		FRONT LEG -LEFT with sticker (L)	1 Pc
D		FRONT LEG -RIGHT with sticker (R)	1 Pc
E		FRONT STRETCHER	1 Pc
F		LEFT STRETCHER with sticker (L)	1 Pc
G		RIGHT STRETCHER with sticker (R)	1 Pc

HARDWARE LIST

ITEM	DIAGRAM	DESCRIPTION	DIMENSION	QUANTITY
1		ALLEN KEY	M4	1 Pc
2		JCBC BOLT	M6 x P1.0 x 35mm	2 Pcs
		SPRING WASHER	M6 x 12mm	2 Pcs
		FLAT WASHER	M6 x 19 x 1.0mm	2 Pcs
3		JCBC BOLT	M6 x P1.0 x 70mm	8 Pcs
		SPRING WASHER	M6 x 12mm	8Pcs
		FLAT WASHER	M6 x 19 x 1.0mm	8 Pcs
4		CSK SCREW	M4 x 38mm	6 Pcs

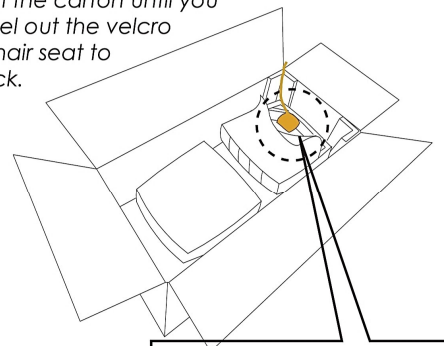
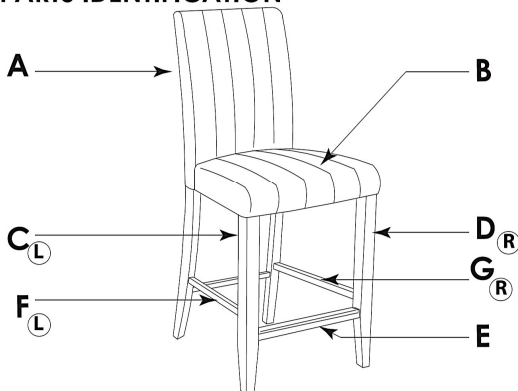
TOOLS REQUIRED - (not provided)



a philips screwdriver

PARTS IDENTIFICATION

Take out chart parts from the carton until you get to the Chair seat. Peel out the velcro cloth underside of the chair seat to reach the Hardware pack.



Hardware Pack Location:

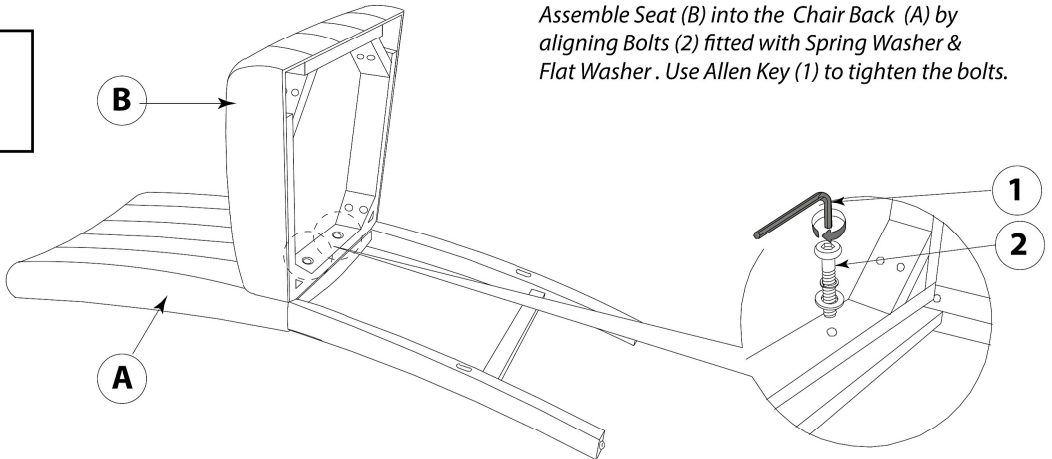
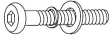
Hardware Pack Location(s):

COUNTER HEIGHT STOOL SKU # 43420265 , 43520267 , 43420289 , 43520281

ASSEMBLY STEPS

STEP 1

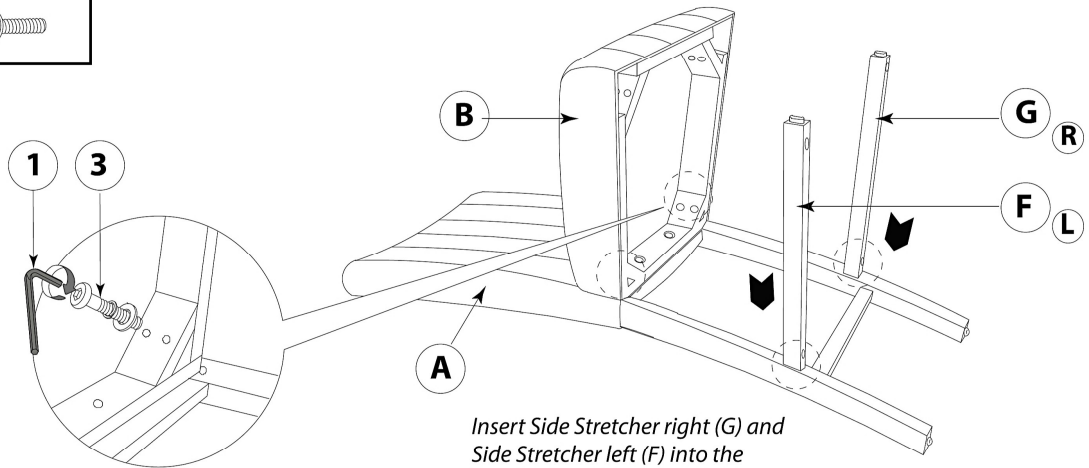
2 x 2 sets



Assemble Seat (B) into the Chair Back (A) by aligning Bolts (2) fitted with Spring Washer & Flat Washer. Use Allen Key (1) to tighten the bolts.

STEP 2

3 x 4 sets

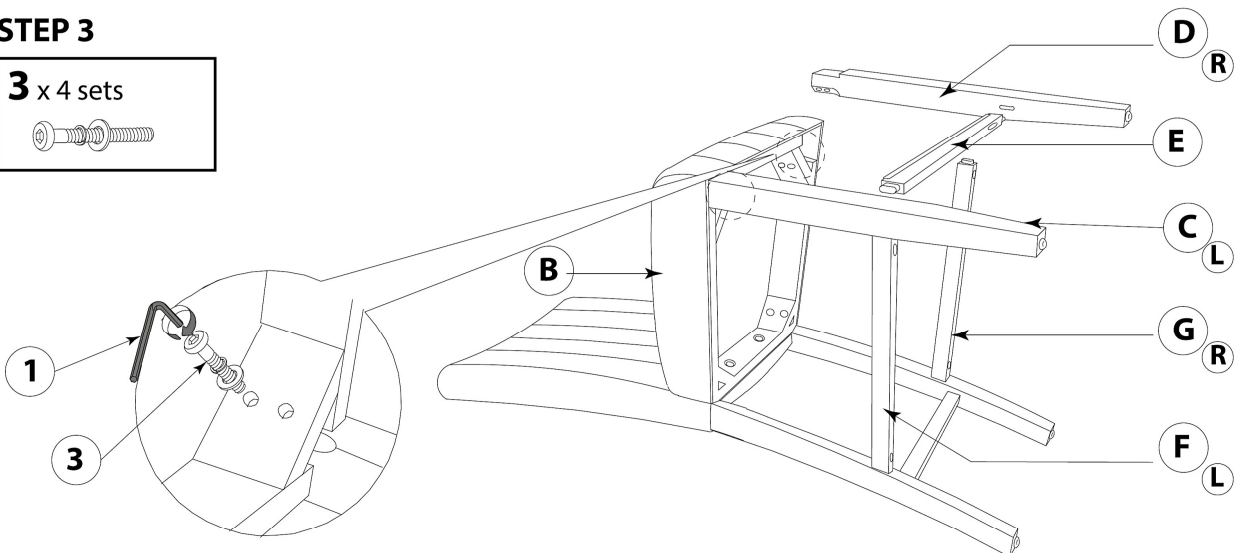


Assemble Seat (B) into the chair Back (A) by aligning Bolts (3) fitted with Spring Washer & Flat Washer. Use Allen Key (1) to tighten the bolts.

Insert Side Stretcher right (G) and Side Stretcher left (F) into the designated hole on Back Leg (A).

STEP 3

3 x 4 sets

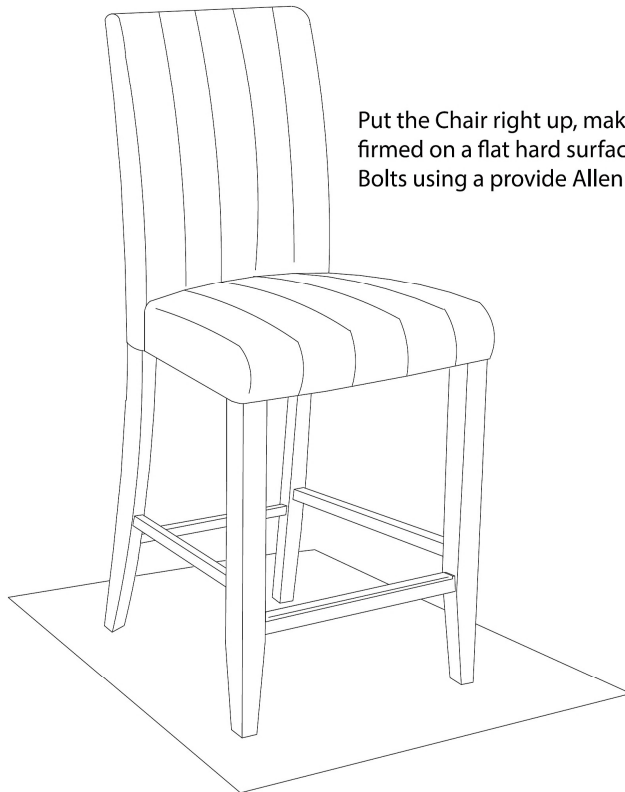
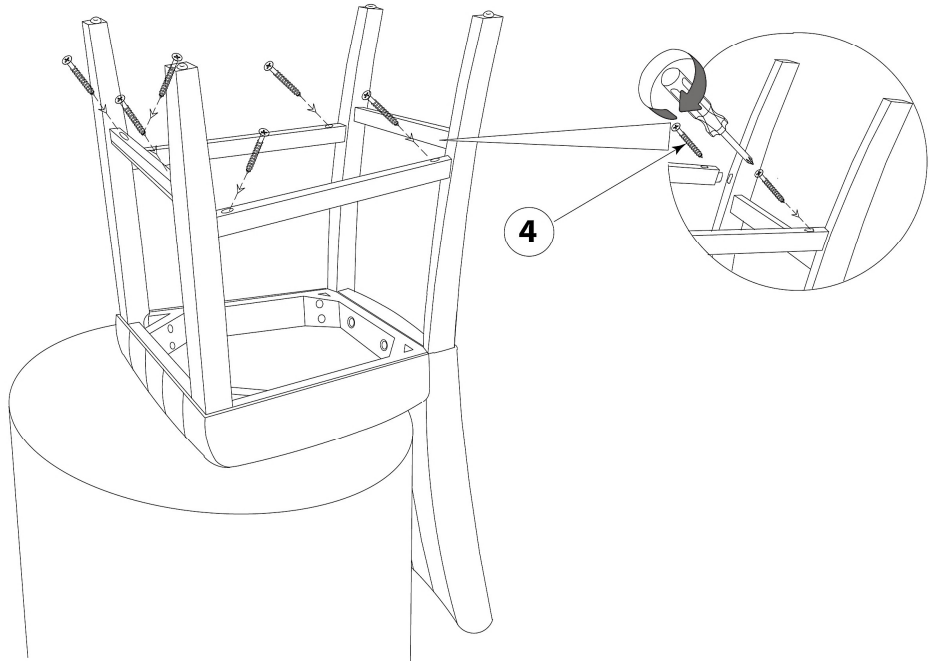


Fit Front Stretcher(E) into the designated hole on between Front Leg right (D) & Front Leg left (C). Assemble Front Leg right (D) & Front Leg left (C) by aligning Bolts (3) fitted with Spring Washer & Flat Washer. Make sure Side Stretcher right (G) & side Stretcher left (F) inserted into the designated hole in the front leg. Make sure to NOT FULLY TIGHTEN it.

ASSEMBLY STEPS

STEP 4

4 x 6 pcs



Put the Chair right up, make sure all the legs are standing firm on a flat hard surface, and You can fully tighten all the Bolts using a provide Allen Key.

NOTE:

To ensure the chair stands leveled, assemble the chair on a flat & soft surface.

DO NOT tighten all bolts and screws until the chair is adjusted & balanced all the legs so that they do not wobble. Once adjusted, then fully tighten all the bolts and screws while making sure that the unit remains level on a flat surface.

Cover back the under seat with the velcro cloth