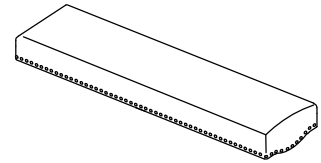
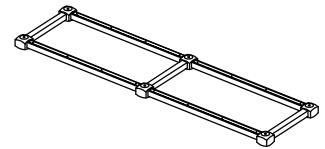


Step	Code	Hardware	Q'TY
	A	Allen key 5/16" dia.	1 Pc
1	B	Bolt 5/16" x 18 x 2"	12 Pcs
		Spring Washer 5/16" x 19 x 2mmT	
		Flat Washer 5/16" x 11 x 2mmT	

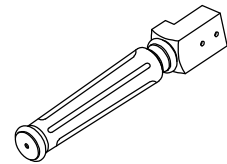
PARTS LIST



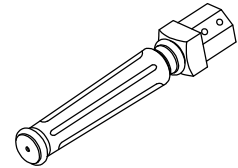
1. Bench top - 1 Pc



2. Stretcher - 1 Pc



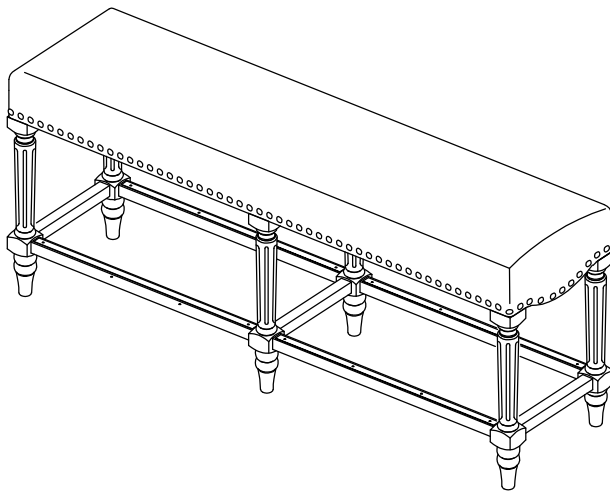
3. Center Leg - 2 Pcs



4. Side Leg - 4 Pcs



5. Lower Leg - 6 Pcs

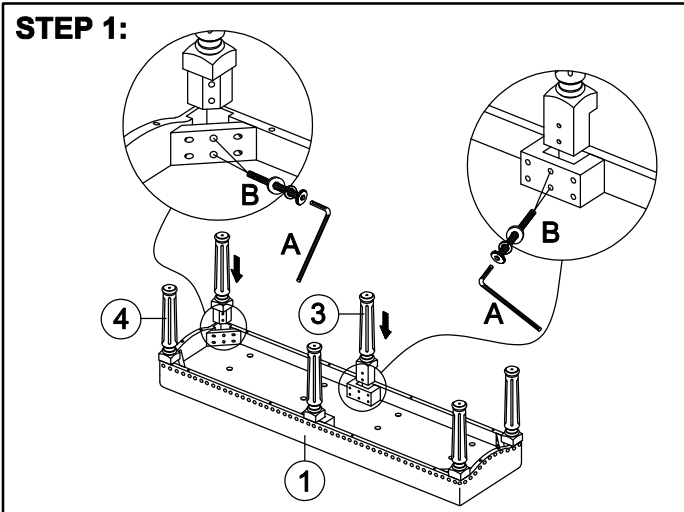


HARDWARE PACK LOCATION(S):

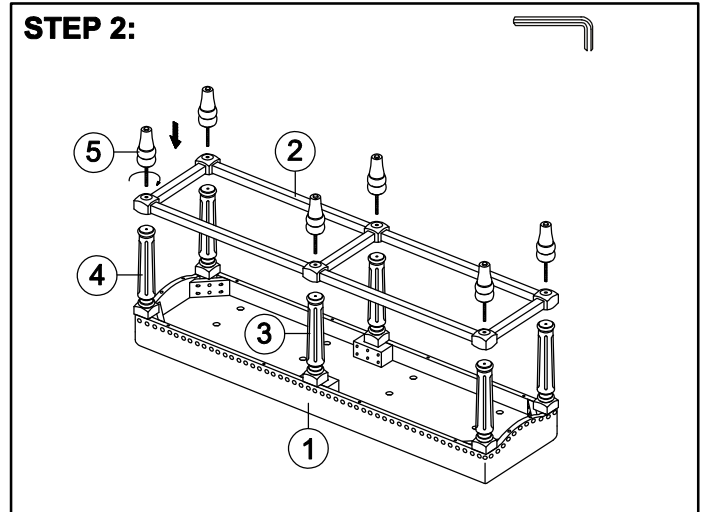
PNWD 2290-LI CNT HGT BENCH

SKU# 43522906

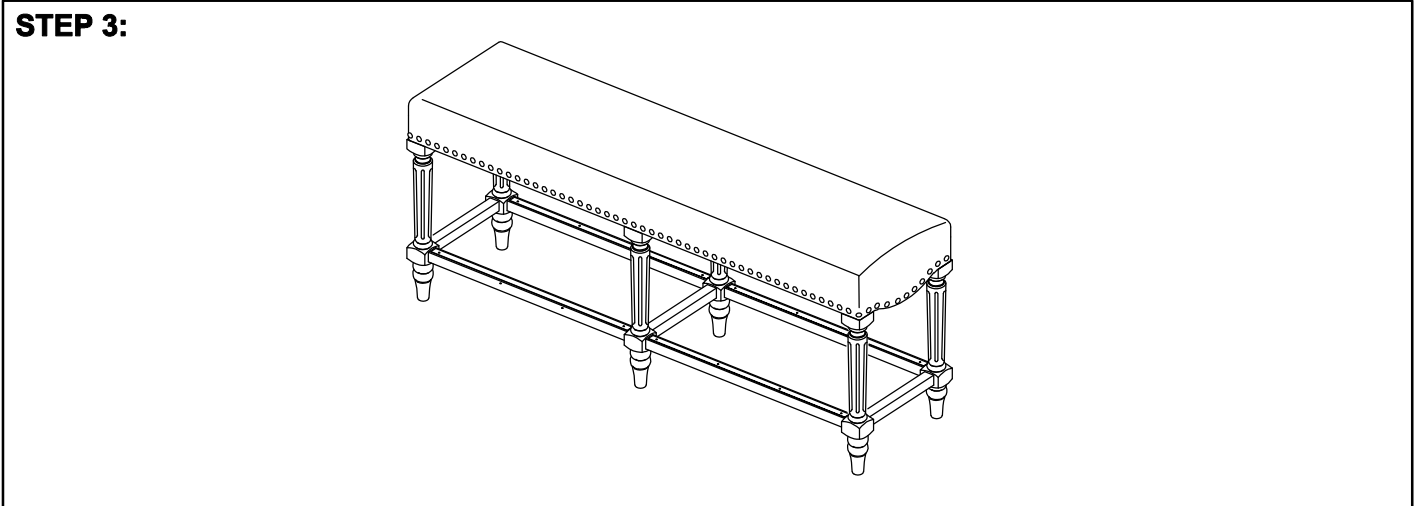
***Cautions: Please read all instructions carefully before starting the assembly process. These parts are cumbersome and heavy. Therefore, two people are recommended in order to prevent personal injury and insure the parts are not damaged during the assembly.



Place the bench top upside down. Attach the legs to the bench top.



Attach the stretcher to legs and Attach the lower legs to the stretcher.



Turn the bench upright. Apply firm pressure to align and fully tighten all bolts.