



Manufactured By TEAE For Rooms To Go


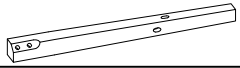
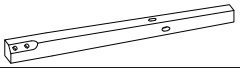
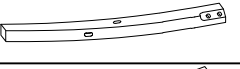
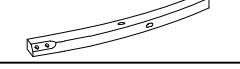
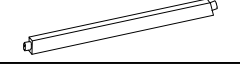
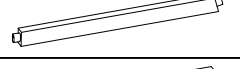


# Assembly Instructions

TEAE 0629-CSLB COUNTER HEIGHT STOOL  
 TEAE 0629-CSBE COUNTER HEIGHT STOOL  
 TEAE 0629-CSMU COUNTER HEIGHT STOOL

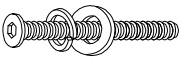
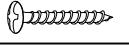
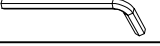

-SKU# 43536296  
 -SKU# 43636298  
 -SKU# 43436294

Version 1.0 2025/12/22

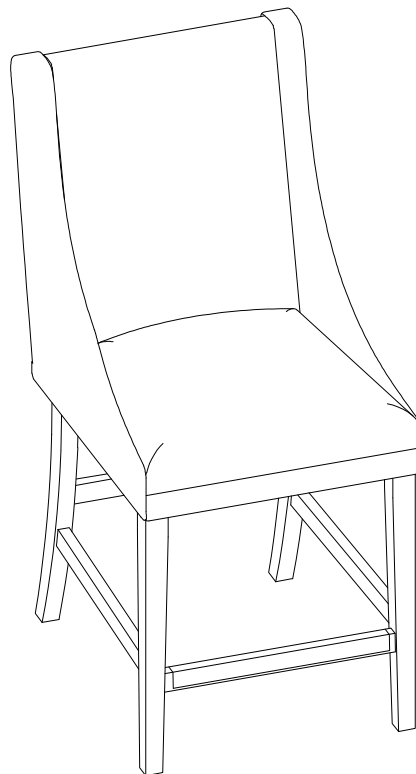
## Part list

Step	Part	Description	Photo	Qty
1,2,3,4	A	Seat and back		1 pc
3,4	B	Right front leg		1 pc
3,4	C	Left front leg		1 pc
1,2,3,4	D	Right back leg		1 pc
1,2,3,4	E	Left back leg		1 pc
2,3,4	F	Right stretcher		1 pc
2,3,4	G	Left stretcher		1 pc
1,2,3,4	H	Back stretcher		1 pc
3,4	I	Front stretcher		1 pc

## Hardware list

Step	Part	Description	Photo	Qty
1,3	1	Bolt Ø5/16"x18x60mm		8 pcs
		Spring washer Ø5/16"		8 pcs
		Flat washer Ø5/16"		8 pcs
4	2	Wood screw #8x45mm		8 pcs
1,3,5	3	Allen key M4		1 pc
4,5	4	Screwdriver (Not provided)		1 pc

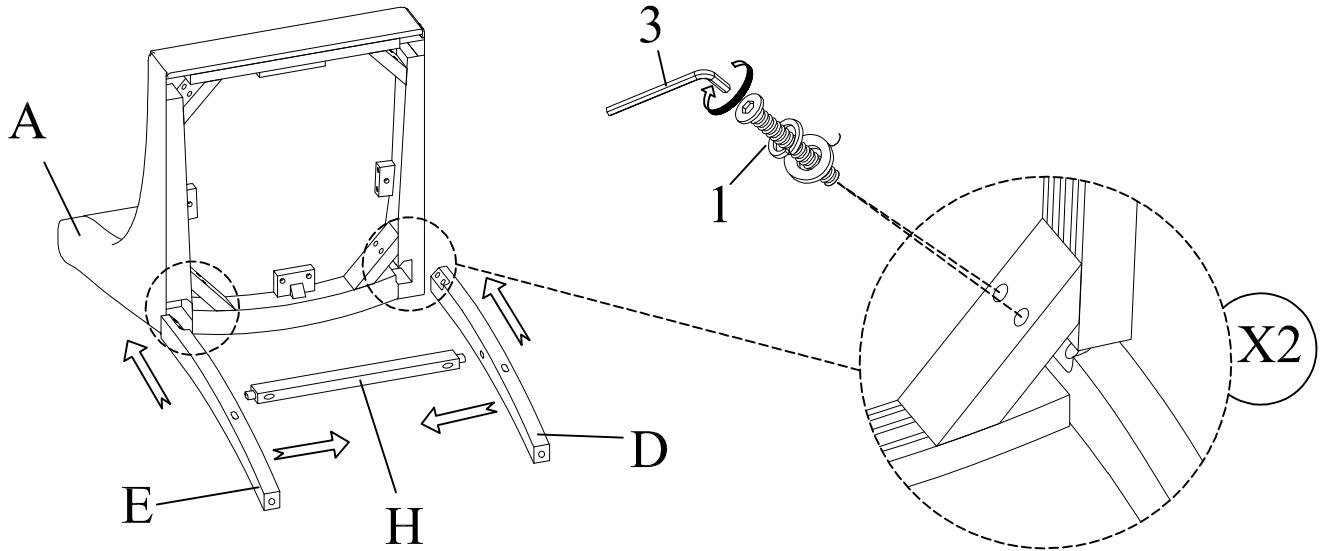
Thanks for purchasing this quality product. Be sure to check all packing materials carefully for small parts, which may have come loose inside the carton during shipment. Identify and count all parts and compare with the Hardware List below.



**hardware pack locations:** TEAE 0629-CSLB COUNTER HEIGHT STOOL -SKU# 43536296  
 TEAE 0629-CSBE COUNTER HEIGHT STOOL -SKU# 43636298  
 TEAE 0629-CSMU COUNTER HEIGHT STOOL -SKU# 43436294

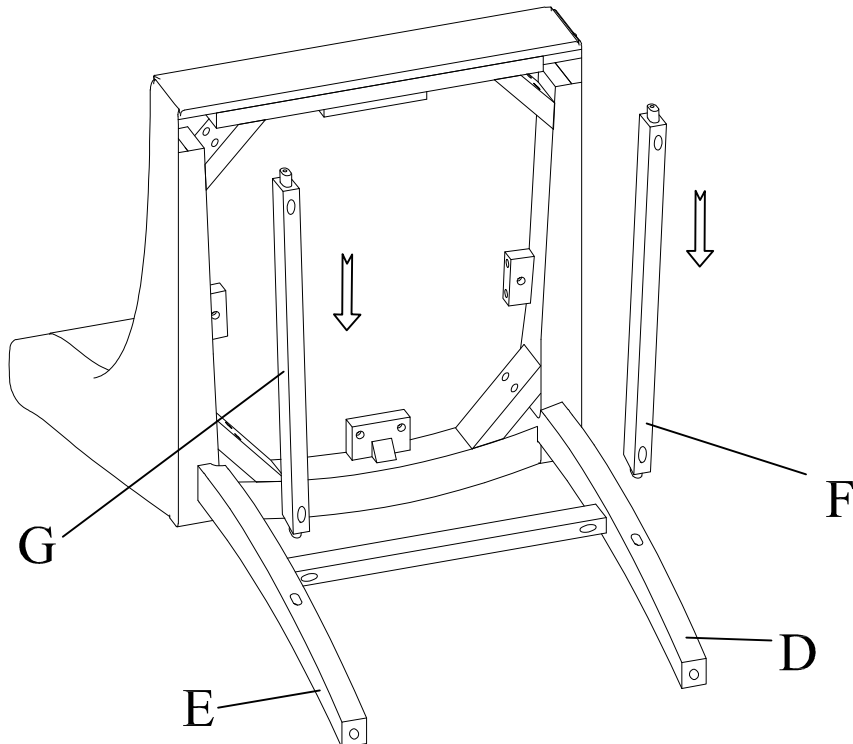
## STEP 1

1. Place the back chair (A) on a soft and clean surface.
  2. Install the back stretcher (H) between the back legs (D,E), then assemble the back legs (D,E) with the seat (A) by using allen key (3) with hardware (1).
- \*Attention: DO NOT TIGHTEN THE BOLTS.



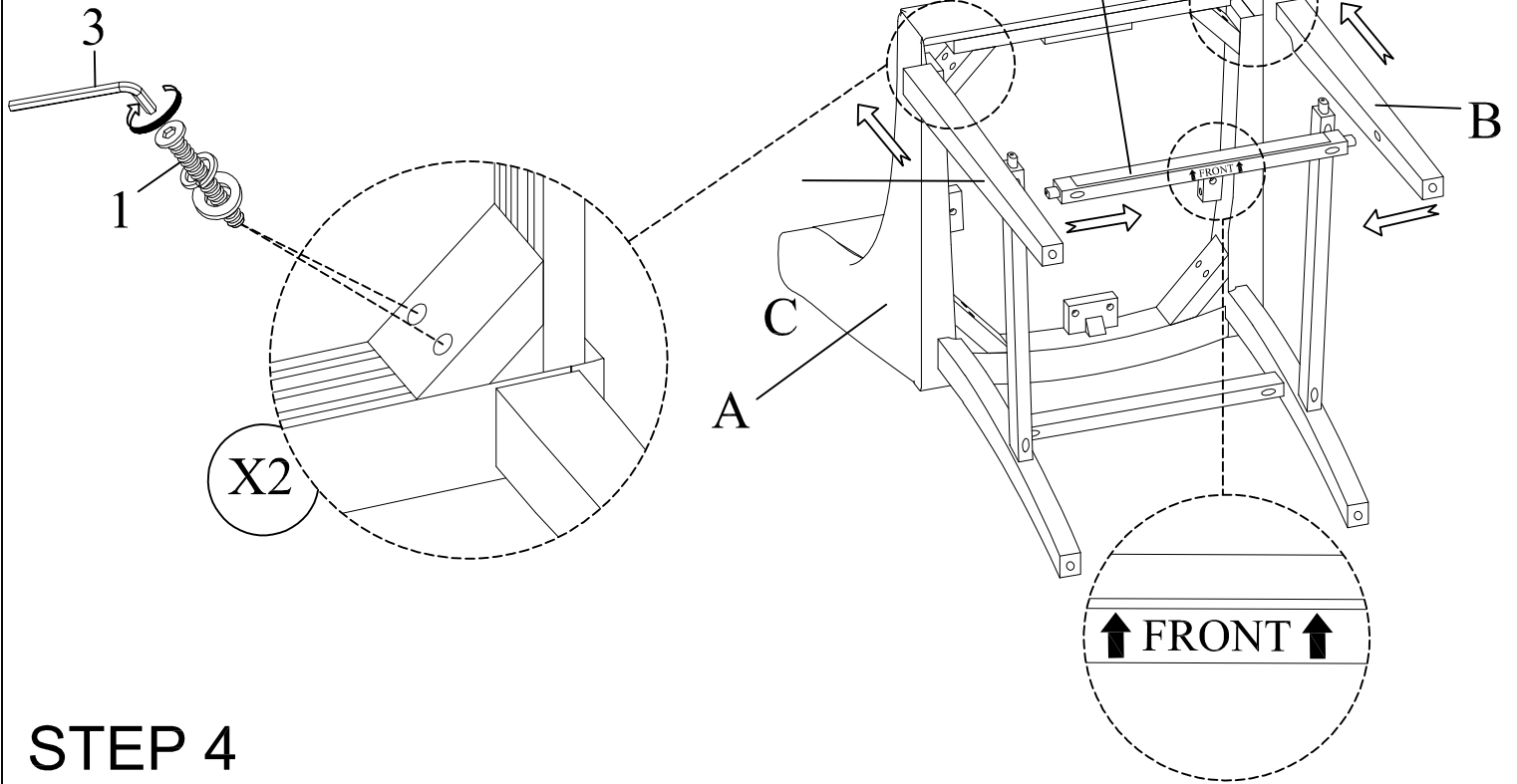
## STEP 2

Install the stretcher (F,G) on the back legs (E,D).



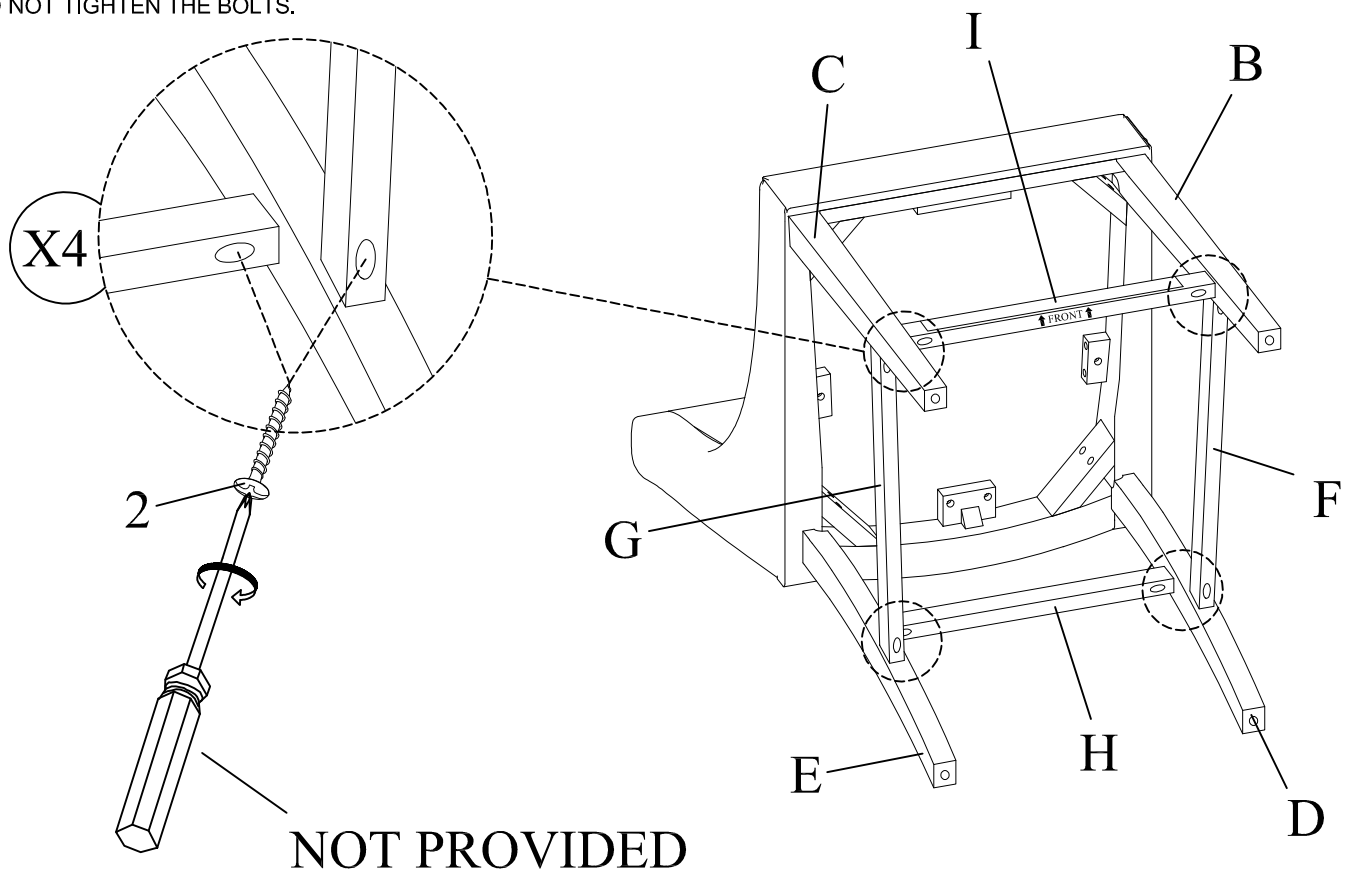
## STEP 3

Install the front stretcher (I) between the front legs (B,C), then assemble the front legs (B,C) with the seat (A) by using allen key (3) with hardware (1).  
 \*Attention: DO NOT TIGHTEN THE BOLTS.



## STEP 4

Assemble the stretchers with the front legs (B,C) and the back legs (D,E) by using a screwdriver with hardware (2).  
 \*Attention: DO NOT TIGHTEN THE BOLTS.



**NOT PROVIDED**



Manufactured By TEAE For Rooms To Go

# Assembly Instructions

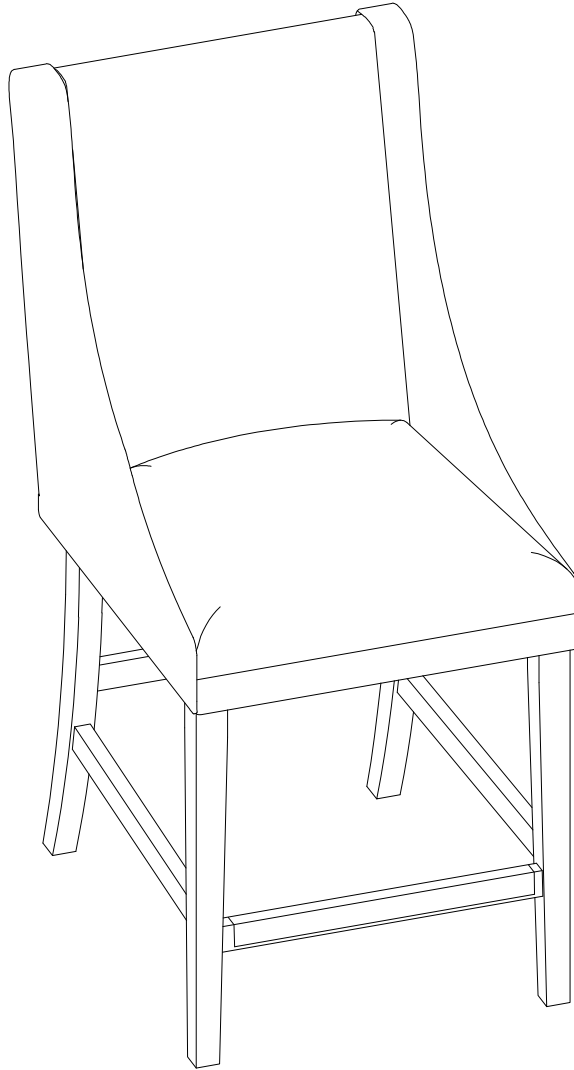
TEAE 0629-CSLB COUNTER HEIGHT STOOL  
TEAE 0629-CSBE COUNTER HEIGHT STOOL  
TEAE 0629-CSMU COUNTER HEIGHT STOOL

-SKU# 43536296  
-SKU# 43636298  
-SKU# 43436294

Version 1.0 2025/12/22

## STEP 5

To level the chair, stand the chair up on a flat surface and tighten all the bolts by using allen key (3) and tighten all the screws by using a screwdriver.



**COMPLETE**